

SINK DESCRIPTION

- Manufactured of 20 gauge, type 301 nickel-bearing stainless steel
- Single bowl is 12" x 10" x 5-1/2" deep
- The sink ledge has two fixture mounting holes, 1-1/4" in diameter and 4" on center
- One 2" diameter SealTite recessed drain opening
- Is fully undercoated with a sound and temperature insulating material
- The exposed surfaces are polished to a lustrous satin tone finish
- Includes all necessary mounting hardware

CUT OUT DIMENSIONS

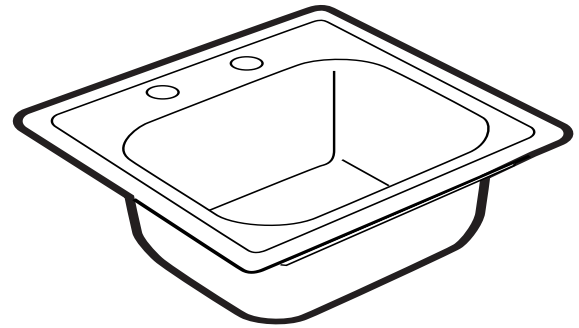
- Cut out dimensions are 14-3/8" x 14-3/8", with a 3/8" corner radius. A tolerance of plus or minus 1/16" is acceptable

STANDARDS

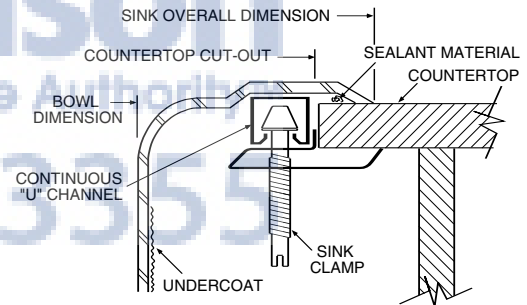
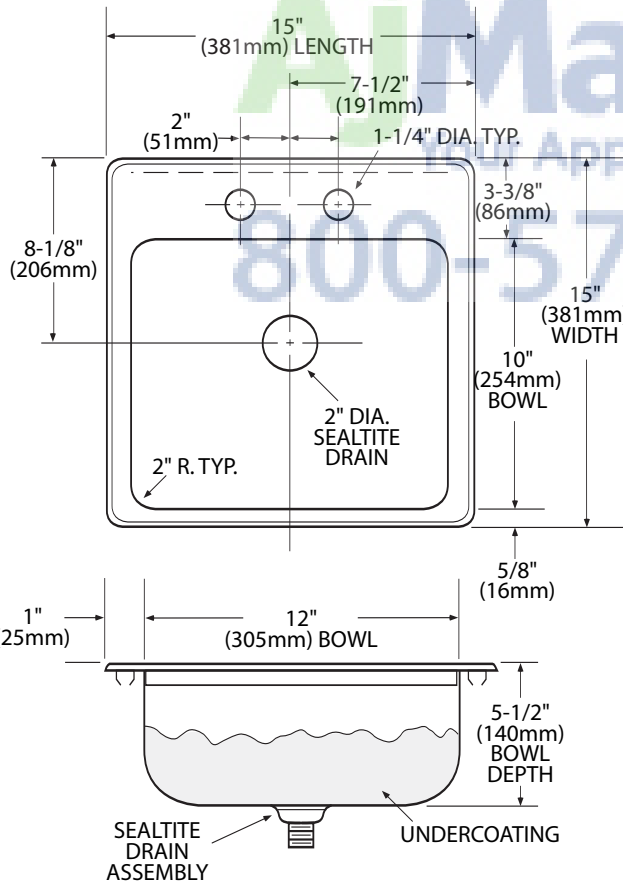
- Third party certified by CSA and IAPMO to meet ASME A112.19.3M and all applicable specifications referenced therein

WARRANTY

- Warranted for 5 years against material manufacturing defects



Single Bowl Kitchen Sink
Model: 22119
(C-1515-2)



Installation Detail

CRITICAL DIMENSIONS

(DO NOT SCALE)