

SINK DESCRIPTION

- Manufactured of 18 gauge, type 301 nickel-bearing stainless steel
- Single bowl is 21" x 16" x 8" deep
- The sink ledge has three fixture mounting holes, 1-1/2" in diameter and 4" on center
- Has one 3-1/2" diameter recessed drain openings
- Is fully undercoated with a sound and temperature insulating material including sound pads
- The exposed surfaces are polished to a lustrous satin tone finish
- Includes all necessary mounting hardware

CUT OUT DIMENSIONS

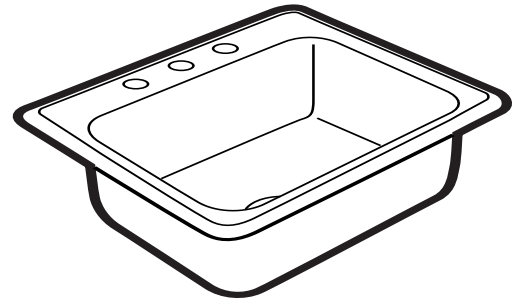
- Cut out dimensions are 24-3/8" x 21-3/8", with a 3/8" corner radius. A tolerance of plus or minus 1/16" is acceptable

STANDARDS

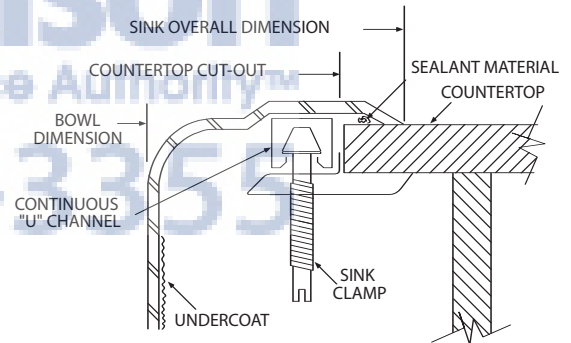
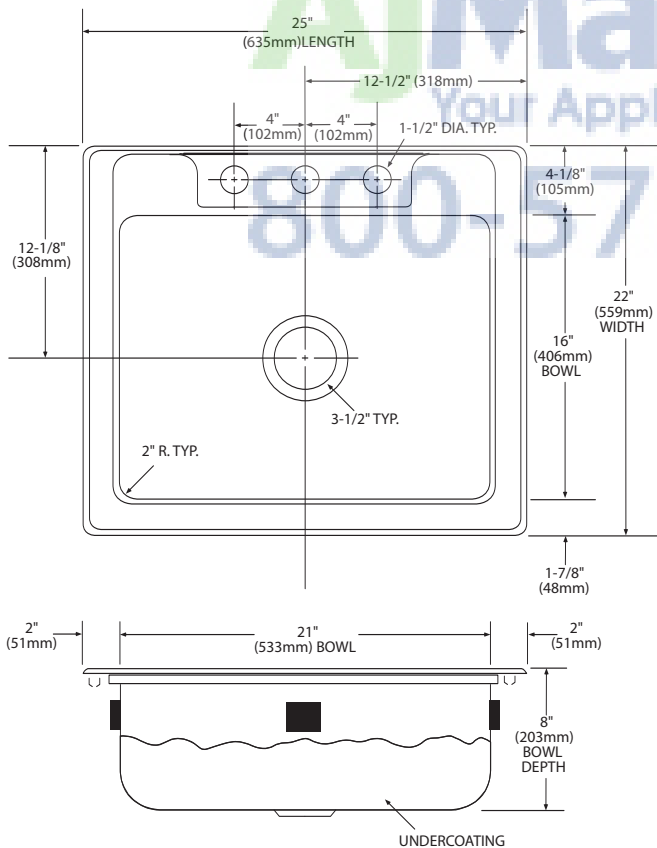
- Third party certified by CSA and IAPMO to meet ASME A112.19.3M and all applicable specifications referenced therein

WARRANTY

- Warranted for 5 years against material or manufacturing defects



Single Bowl Kitchen Sink
Model: 22106
(H-2522-3)



Installation Detail

CRITICAL DIMENSIONS

(DO NOT SCALE)