

FEATURED MODEL

221-071 Anthracite, 9-1/2" & 9-1/2" bowl depths

ADDITIONAL MODELS

221-068 Metallic Gray, 9-1/2" & 9-1/2" bowl depths

221-069 White, 9-1/2" & 9-1/2" bowl depths

221-070 Biscuit, 9-1/2" & 9-1/2" bowl depths

FEATURES

- 80% rock hard granite
- Color all the way through
- Highly resistant to scratching, staining and all household acids and alkali solutions
- Non-porous, easy-to-clean
- Heat resistant to 536° F
- Extremely hygienic, does not absorb odors or bacteria

CODE/STANDARDS COMPLIANCE

ANSI Z124.6-97
 IAPMO/UPC listed

INCLUDED ACCESSORIES

- 3 Sink Grids
- Walnut Cutting Board
- Custom Stainless Steel Colander

WARRANTY

Blanco America's SILGRANIT® Series sinks feature a "NO HASSLE" LIMITED LIFETIME WARRANTY to be free of all manufacturing defects under normal use. See our complete warranty for details.

While Blanco America endeavors to provide accurate information, all dimensions are nominal, cannot be guaranteed, and are subject to change or cancellation. Blanco America assumes no responsibility for use of superseded or voided specifications.

PRODUCT SPECIFICATION

Undermount sink to be multi-level bowl design, 48" in length and 20" in front-to-back depth. Sink to be made from Silgranit® hard composite material. Sink to feature two bowls with integrated drainer. Sink to be Blanco (Check one)

- Model 221-068 Model 221-069
 Model 221-070 Model 221-071

with left bowl depth of 9-1/2" and right bowl depth of 9-1/2".

- White 221-069 Biscuit 221-070
 Anthracite 221-071 Metallic Gray 221-068

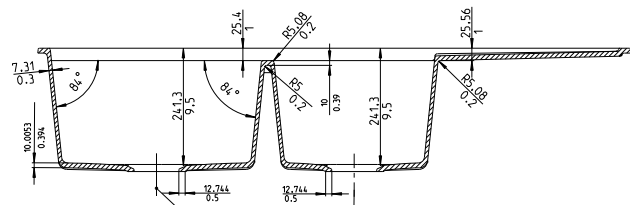
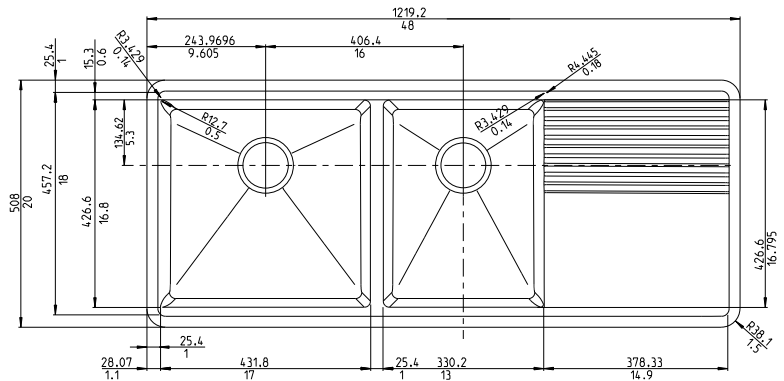


MODEL 221-071 Shown

NOMINAL DIMENSIONS

OVERALL	CUTOUT SIZE	BOWL DEPTH		DRAIN DIAMETER	
		LEFT	RIGHT	LEFT	RIGHT
48 x 20	Template provided with approximate 1/8" reveal	9-1/2	9-1/2	3-1/2	3-1/2

DXF cutout templates available on our web site.



JOB INFORMATION

Job Name: _____

Contact: _____

Date Specified: _____

Specifier: _____

Contractor: _____