

# PB975DP/TP

## GE Profile™ 30" Free-Standing Electric Range

### Dimensions and Installation Information (in inches)

KW Rating	
240V	14.3
208V	10.7
Breaker Size	
40 Amps†	

†**Note:** Check local codes for required breaker size.

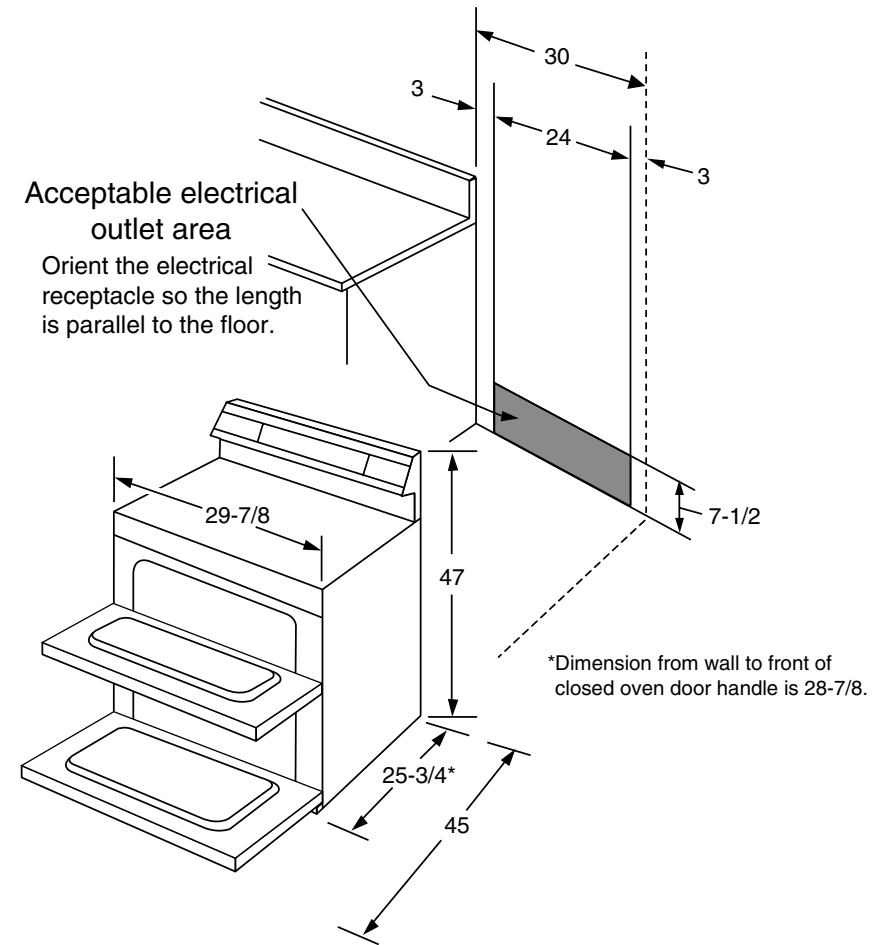
Effective January 1, 1996, the National Electrical Code requires that new construction (not existing) utilize a 4-conductor connection to an electric range.

#### Receptacle Locations

Locally approved flexible service cord or conduit must be used because terminals are not accessible after range installation. See shaded area in drawing for location of electrical outlet box. Recommended outlet locations allow range to be installed directly against wall.

**Note:** 30" ranges conform to U.L. requirements for 0" spacing from adjacent walls below countertops. To reduce possibility of scorching walls, engineering recommends a minimum of 1-1/2" spacing to allow for possible extended, high-heat, no-load heating element operation.

**Installation Information:** Before installing, consult installation instructions packed with product for current dimensional data.



For answers to your Monogram®, GE Profile™ or GE® appliance questions, visit our website at [ge.com](http://ge.com) or call GE Answer Center® service, 800.626.2000.



All GE ranges are equipped with an Anti-Tip device. The installation of this device is an important, required step in the installation of the range.



Listed by Underwriters Laboratories



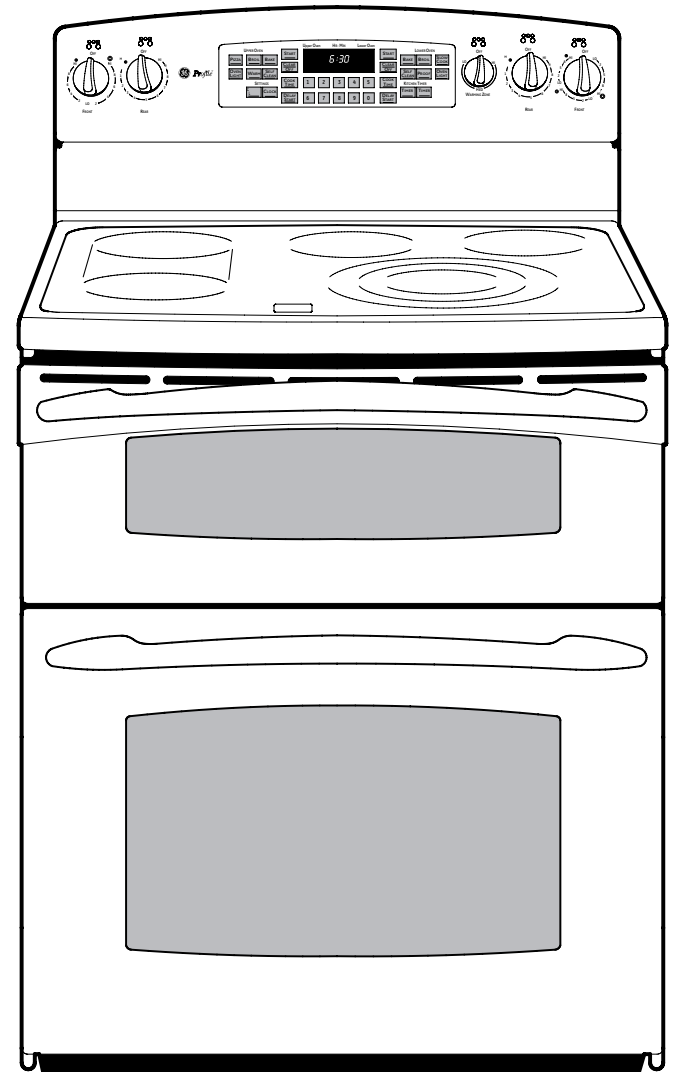
# PB975DP/TP

## GE Profile™ 30" Free-Standing Electric Range

### Features and Benefits

- 6.6 cu. ft. total oven capacity - Large capacity is ideal for big meals
- Upper oven - Provides the ideal space for cooking pizzas and smaller items
- PreciseAir™ convection system - A reversing fan circulates heat and air for evenly browned and baked foods
- Convection Cook - A reversing fan surrounded by a third element circulates hot air for great results on every rack
- 12"/9"/6" Tri-Ring Element - Provides three cooking areas in one for the ultimate in cooking versatility
- Bridge Element - Combines three cooktop elements into one large cooking area, ideal for oversized cooking pans
- Warming Zone - Provides low heat capability for foods, making meal coordination simple
- Pizza Mode - Provides ideal cooking conditions for preparing fresh or frozen pizzas at the touch of a button
- Slow cook mode - Two slow cook options – beef and poultry – deliver ideal conditions for specific meals
- Self-Clean Oven - Conveniently cleans the oven cavity without the need for scrubbing
- Model PB975DPBB – Black on black
- Model PB975TPWW – White on white

For answers to your Monogram,® GE Profile™ or GE® appliance questions, visit our website at [ge.com](http://ge.com) or call GE Answer Center® service, 800.626.2000.



imagination at work