

# PB910SP

## GE Profile™ 30" Free-Standing Electric Range

### Dimensions and Installation Information (in inches)

KW Rating	
240V	13.7
208V	10.3
Breaker Size	
40 Amps†	

†**Note:** Check local codes for required breaker size.

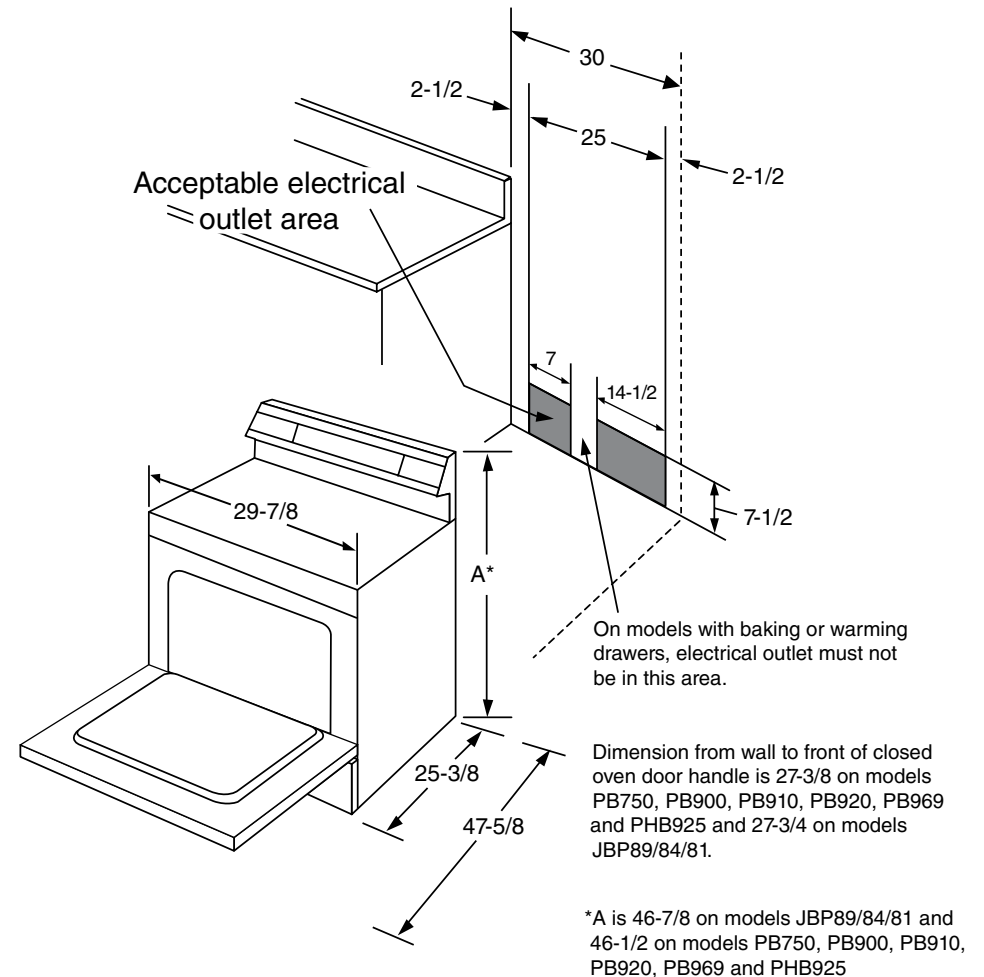
Effective January 1, 1996, the National Electrical Code requires that new construction (not existing) utilize a 4-conductor connection to an electric range.

#### Receptacle Locations

Locally approved flexible service cord or conduit must be used because terminals are not accessible after range installation. See shaded area in drawing for location of electrical outlet box. Recommended outlet locations allow range to be installed directly against wall.

**Note:** 30" ranges conform to U.L. requirements for 0" spacing from adjacent walls below countertops. To reduce possibility of scorching walls, engineering recommends a minimum of 1-1/2" spacing to allow for possible extended, high-heat, no-load heating element operation.

**Installation Information:** Before installing, consult installation instructions packed with product for current dimensional data.



For answers to your Monogram®, GE Profile™ or GE® appliance questions, visit our website at [ge.com](http://ge.com) or call GE Answer Center® service, 800.626.2000.



All GE ranges are equipped with an Anti-Tip device. The installation of this device is an important, required step in the installation of the range.



Listed by Underwriters Laboratories

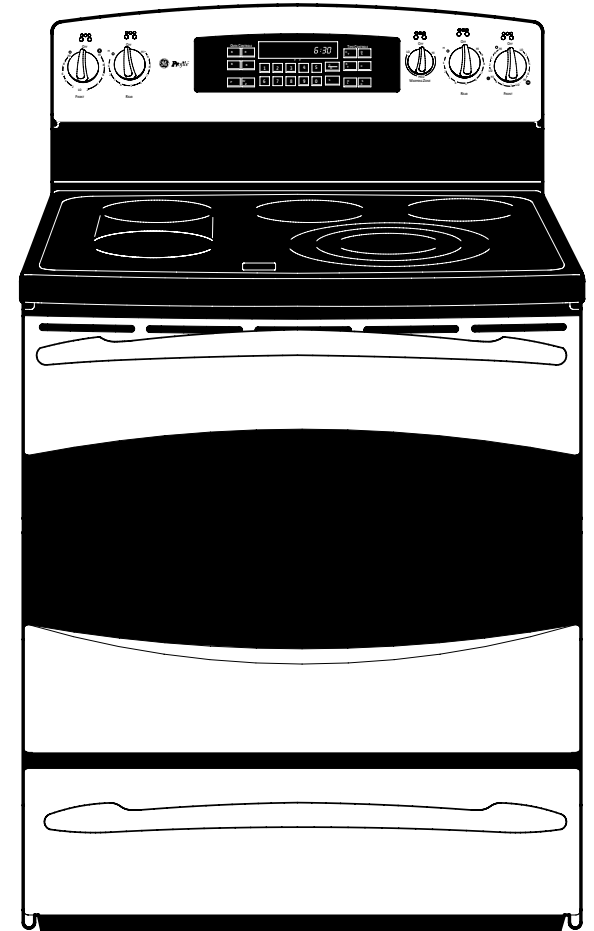


# PB910SP

## GE Profile™ 30" Free-Standing Electric Range

### Features and Benefits

- PreciseAir™ Convection System - Delivers even air and heat circulation for superior baking and roasting results
- Single/Multi-Rack Convection Bake - Provides ideal airflow throughout the oven, ensuring optimal results on both racks
- Super-Large 5.3 Cu. Ft. Oven Capacity - Provides an impressively large oven interior to cook more dishes and large meals at once
- Hidden Bake Oven Interior - Conceals the lower oven bake element to eliminate hard-to-reach areas that collect food and spills for easy cleaning
- 12"/9"/6" Tri-Ring Element - Provides three cooking areas in one for the ultimate in cooking versatility
- Warming Drawer - Conceals the lower oven bake element to eliminate hard-to-reach areas that collect food and spills for easy cleaning
- Self-Clean Heavy-Duty Oven Racks - Double coated porcelain-enameled racks no longer require hand cleaning
- Self-clean oven - Self-clean allows you to spare yourself from the trouble and effort it takes to scrub the oven interior. The oven does all the work!
- Bridge Element - Combines three cooktop elements into one large cooking area, ideal for griddles and gourmet pans
- Model PB910SPSS – Stainless steel



For answers to your Monogram®, GE Profile™ or GE® appliance questions, visit our website at [ge.com](http://ge.com) or call GE Answer Center® service, 800.626.2000.

