

JS968TK/KK/BK

GE Profile™ 30" Slide-In Electric Range

Dimensions and Installation Information (in inches)

KW Rating	
240V	11.6
208V	8.7
Breaker Size	
240V	40 Amps
208V	40 Amps

Note: Cabinets installed adjacent to slide-in ranges must have an adhesion spec of at least 194° temperature rating.

Note: 30" ranges conform to U.L. requirements for 0" spacing from adjacent walls below countertops. To reduce possibility of scorching walls, engineering recommends a minimum of 1-1/2" spacing to allow for possible extended, high-heat, no-load heating element operation.

Receptacle Locations: For all 30" Slide-In Ranges locally approved flexible service cord or conduit must be used because terminals are not accessible after range installation. See shaded area in drawing for location of electrical outlet box. Recommended outlet locations allow range to be installed directly against rear wall.

Optional Kits For Slide-In Electric Ranges

(Available At Additional Cost)

Accessory Backguards

(Attaches to the back of range as a backguard when unit is installed in 30" free-standing cutout)

JXS32SS (Stainless) - 4" High
 JXS32WW (White) - 4" High
 JXS32CC (Bisque) - 4" High
 JXS32BB (Black) - 4" High

JXS37WW (White) - 5-1/4" High
 JXS37CC (Bisque) - 5-1/4" High
 JXS37BB (Black) - 5-1/4" High

Body Sides

(Slide-in ranges are sold without sides installed. Can be installed on either left or right when unit has one exposed side [no cabinet adjacent]. Kit contains 1 body side)

JXS77WW (White)
 JXS77CC (Bisque)
 JXS77BB (Black)

Vertical Side Trim Kits

(If cabinet cutout width is more than 30", a vertical side trim kit may be used to close the gap between the range and cabinet)

JXS86WW (White)
 JXS86CC (Bisque)
 JXS86BB (Black)

Optional Lower Trim Kits

(If counter height is greater than 36.5", a lower trim kit is recommended to extend the useful height to 38" maximum)

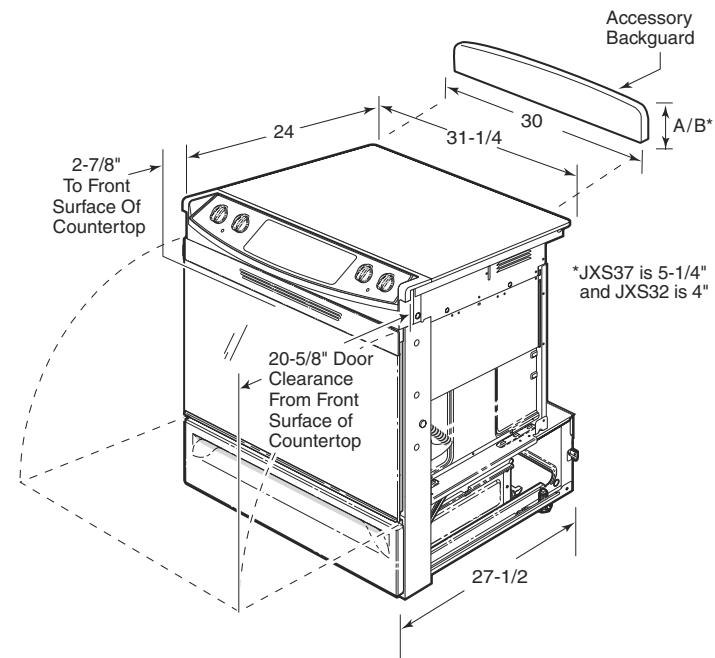
JXS56WW - White
 JXS56CC - Bisque
 JXS56BB - Black

Optional Top Filler Kits

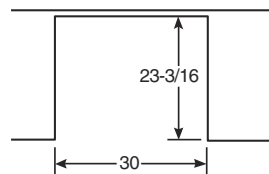
JXS66WW - White
 JXS66CC - Bisque
 JXS66BB - Black

Installation information: Before installing, consult installation instructions packed with product for current dimensional data.

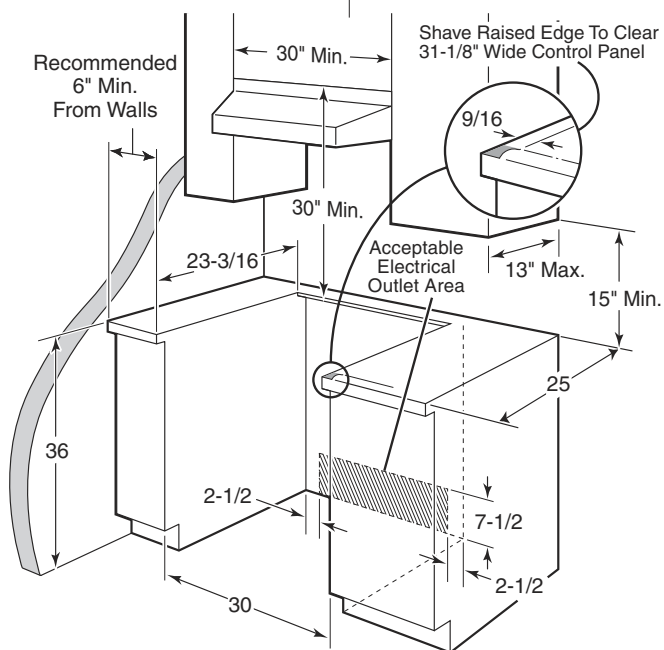
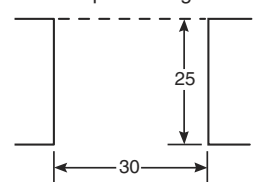
For answers to your Monogram,® GE Profile™ or GE® appliance questions, visit our website at ge.com or call GE Answer Center® service, 800.626.2000.



If you are NOT using the Filler strip or Backguard:



If you are using the Filler strip or Backguard:



All GE ranges are equipped with an Anti-Tip device. The installation of this device is an important, required step in the installation of the range.



Listed by Underwriters Laboratories



Specification Created 7/05

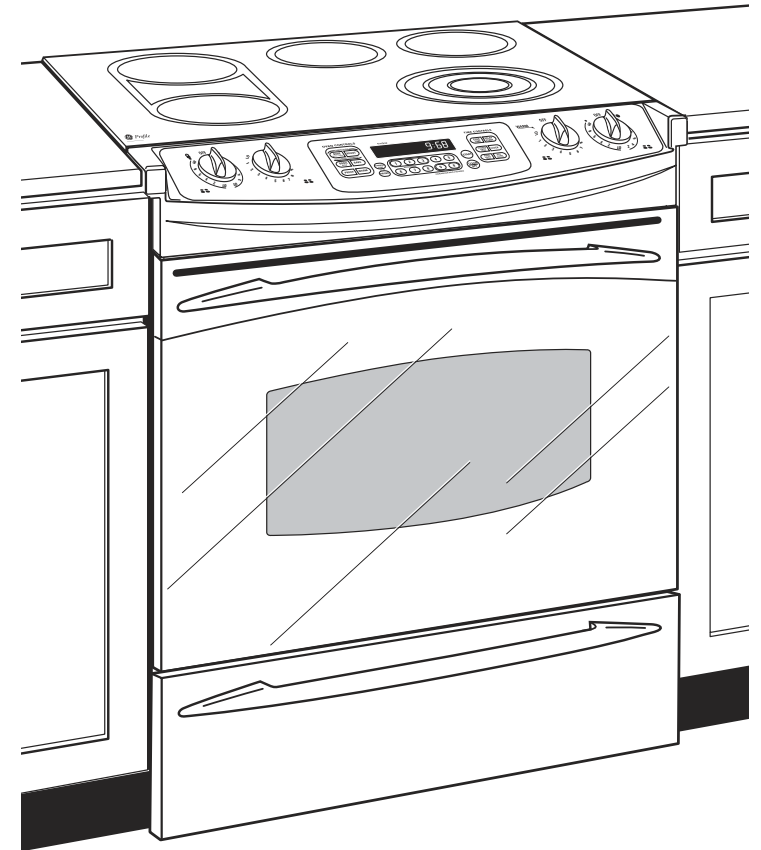
220446

JS968TK/KK/BK

GE Profile™ 30" Slide-In Electric Range

Features and Benefits

- Precise Air™ Convection System - Delivers even air and heat circulation for superior baking and roasting results
- Convection Bake (Multi-Rack) - Provides ideal convection baking for multiple racks of food, ensuring superb results
- Convection Roast - Provides even cooking and consistent results, roasting meats faster than a traditional oven
- Self-Clean Oven - Conveniently cleans the oven cavity without the need for scrubbing
- 12"/9"/6" Tri-Ring Element - Accommodates various-sized pots or pans for the ultimate in cooking versatility
- Bridge Element - Combines three cooktop elements into one large cooking area, ideal for oversized cooking pans
- Glass Touch Controls - Features a smooth glass design that is easy-to-operate and easy-to-clean
- Warming Zone - Provides low heat capability for foods, making meal coordination simple
- Super-Large Oven Capacity - Provides an impressively large oven interior for cooking more dishes and large meals at one time
- TrueTemp™ System - Delivers even heat distribution and maximum oven control
- Self-Clean Heavy-Duty Oven Racks - Double coated procelain-enameled racks no longer require hand cleaning
- The Convection Cookbook - Offers everything the chef needs to know about convection cooking, including over 150 delicious convection cooking recipes
- Model JS968TKWW - True white (white door and true white cooktop)
- Model JS968KKCC - True bisque (bisque door and true bisque cooktop)
- Model JS968BKBB - Black on black (black door and black patterned cooktop)



imagination at work