

LEGACY SERIES
30" DOUBLE DECK HYBRID WALL OVENS - GAS & ELECTRIC



30"

🔥 FRENCH DOOR TOP
⚡ FRENCH DOOR BOTTOM



30"

🔥 CHEF DOOR TOP
⚡ CHEF DOOR BOTTOM

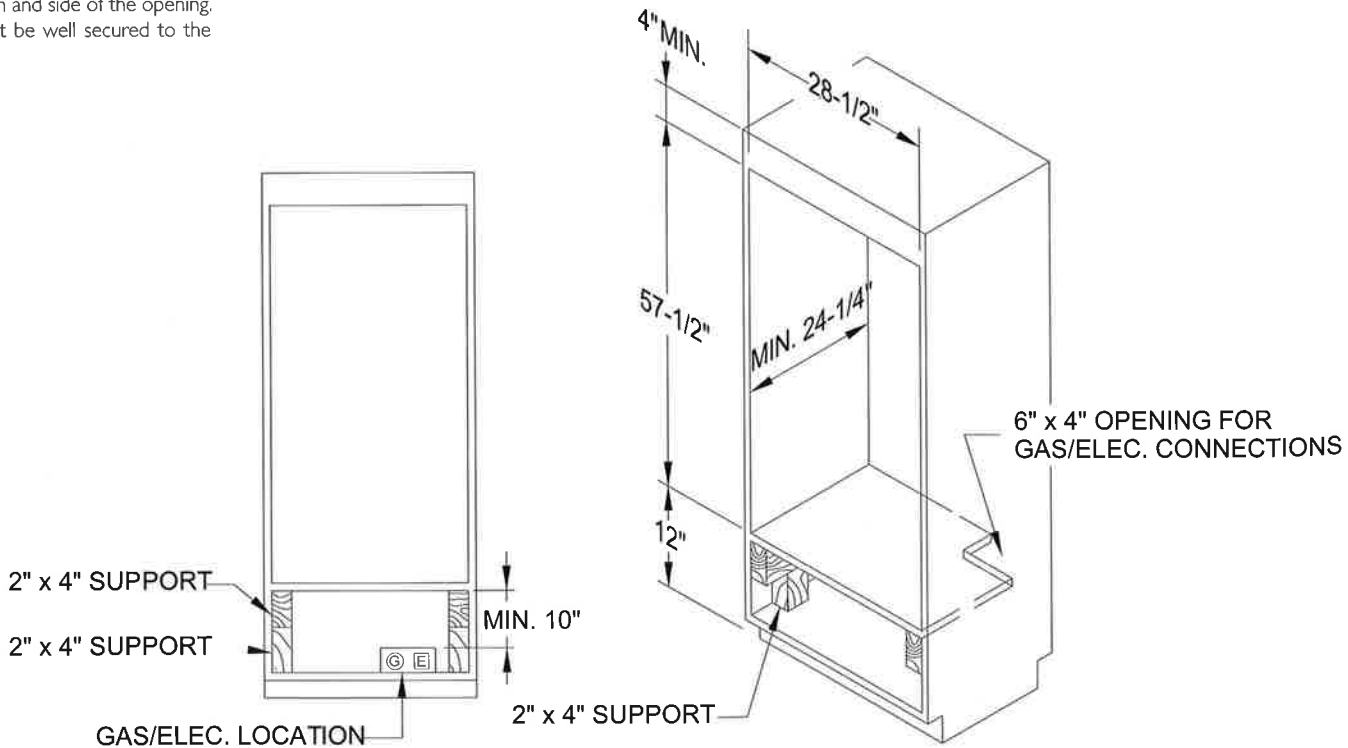


30"

🔥 FRENCH DOOR TOP
⚡ CHEF DOOR BOTTOM

DOUBLE WALL OVEN CUTOUT DIMENSIONS

For oven support, install 2" x 4" extending front to back flush with the bottom and side of the opening. The supporting base must be well secured to the floor/cabinet and level.



N = Natural Gas Must provide **N** or **L** after model for type of gas needed.
L = LP Gas Example: AROFG-30**L**, represents unit to be built for LP gas.
 Must specify elevation if over 1,000 ft. when ordering.