

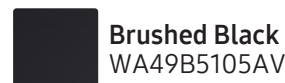
# WA49B5105AV

# SAMSUNG

4.9 cu. ft. Large Capacity Top Load Washer  
with ActiveWave™ Agitator and Deep Fill



## Available Color



## Features

- ActiveWave™ Agitator
- EZ Access Tub
- Deep Fill
- Large 4.9 cu. ft. Capacity
- Smart Care\*
- Self Clean
- Vibration Reduction Technology+
- Swirl+ Tub Interior
- Soft-Close Lid
- 10 Preset Washing Cycles
- 4 Additional Washing Options
- 5 Temperature Levels
- 750 RPM Maximum Spin Speed
- Direct Drive Motor
- LED Display: Red

## Convenience

- Child Lock
- Dispenser Trays:  
Main Wash, Softener, Bleach,  
EZ Drawer Dispenser

## Ratings

IMEF = 1.57  
IWF = 6.5  
140 kWh/yr

## Electrical Requirements

120 V / 60 Hz  
15 Amps

## Specifications

### 10 Preset Washing Cycles:

Normal, Bedding/Waterproof, Heavy Duty, Permanent Press, Delicates, Quick Wash, Self Clean, Rinse + Spin, Spin Only, Deep Wash

### 4 Additional Washing Options:

Extra Rinse, Child Lock, Deep Fill, Smart Care

### 5 Temperature Settings:

Hot, Warm, Eco Warm, Cool, Cold

### 3 Soil Settings:

Heavy, Normal, Light

Washer	Model #	UPC Code
Brushed Black	WA49B5105AV	887276661308

### Matching Electric Dryer

Brushed Black	DVE50B5100V	887276658704
---------------	-------------	--------------

### Matching Gas Dryer

Brushed Black	DVG50B5100V	887276658728
---------------	-------------	--------------

## Warranty

One (1) Year Parts and Labor  
Three (3) Years Stainless Steel Tub (Part Only)  
Ten (10) Years DD Motor (Part Only)

## Product Dimensions & Weight (WxHxD)

Dimensions: 27<sup>1</sup>/<sub>2</sub>" x 46<sup>3</sup>/<sub>16</sub>" x 29<sup>7</sup>/<sub>16</sub>"  
Weight: 132.3 lbs

## Shipping Dimensions & Weight (WxHxD)

Dimensions: 30<sup>1</sup>/<sub>8</sub>" x 48<sup>5</sup>/<sub>16</sub>" x 31<sup>1</sup>/<sub>4</sub>"  
Weight: 141.1 lbs

\*Requires Samsung Smart Washer/Dryer App. The Samsung Smart Washer/Dryer App supports Android OS 2.3.6 or later and iOS 3 or later for iPhone models. Samsung Smart Washer/Dryer App available in App Store and Play Store.

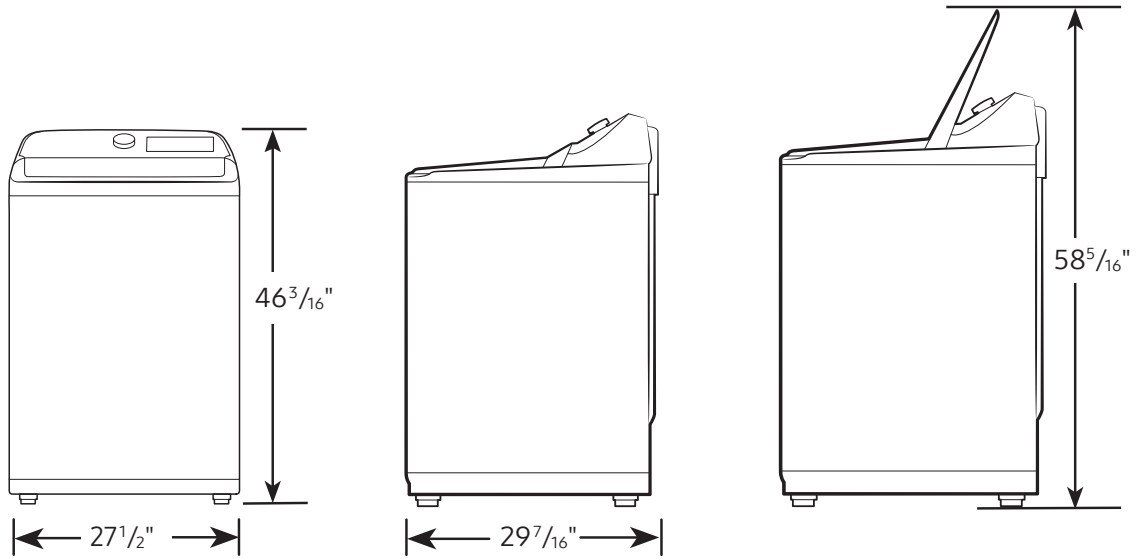
# WA49B5105AV

# SAMSUNG

## 4.9 cu. ft. Large Capacity Top Load Washer with ActiveWave™ Agitator and Deep Fill

### Dimensions

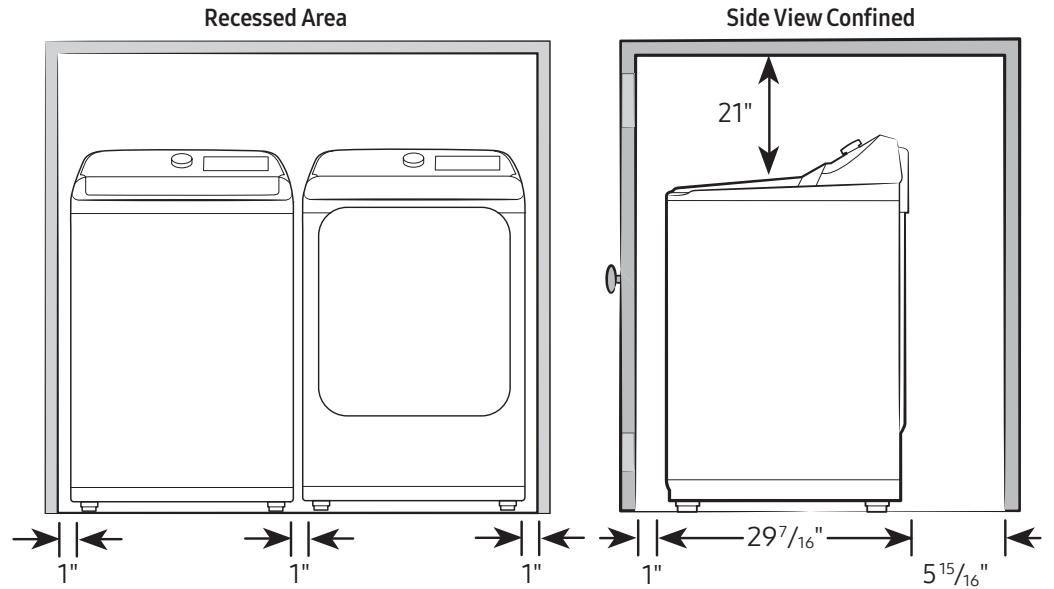
Required dimensions for installation:



### Installation Specifications – Side-by-Side

If the washer and dryer are installed together or the dryer alone, the closet front must have two unobstructed air openings for a combined minimum total area of 72-inch<sup>2</sup>. Your washer alone does not require a specific air opening.

Alcove or closet installation  
Minimum clearance for closet and alcove installations:

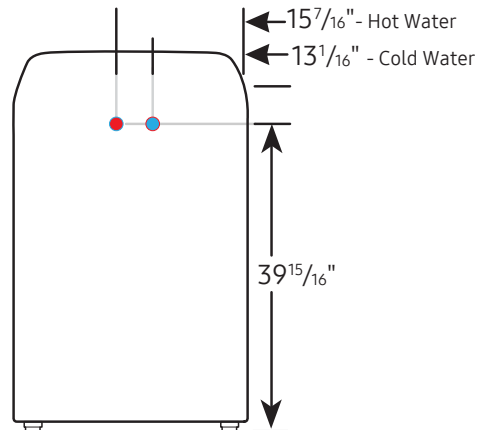


### Connection Dimensions

Back view of washer

#### LEGEND:

- Hot Water Connection
- Cold Water Connection



Actual color may vary. Design, specifications, and color availability are subject to change without notice. Non-metric weights and measurements are approximate.

©2022 Samsung Electronics America, Inc., 85 Challenger Road, Ridgefield Park, NJ 07660. Tel: 800-SAMSUNG.samsung.com. Samsung is a registered trademark of Samsung Electronics Co., Ltd.