

WF50A8600AV

SAMSUNG

Samsung 5.0 cu. ft. Extra-Large Capacity Smart Dial Front Load Washer with MultiControl™



Features

- AI Powered Smart Dial
- MultiControl™
- Flexible Installation
- Super Speed Wash
- Extra-Large 5.0 cu. ft. Capacity
- Wi-Fi Connectivity¹
- CleanGuard™
- Steam
- ENERGY STAR® Most Efficient
- Vibration Reduction Technology+
- Swirl+ Drum Interior
- Self Clean+
- ADA Compliant²
- Direct Drive Motor
- 1200 RPM Maximum Spin Speed
- Internal Water Heater
- 24 Total Washing Cycles
- 13 Additional Options

Convenience

- Child Lock
- Dispenser Trays: Main Wash, Softener, Bleach

Ratings



ENERGY STAR®-rated
CEE Tier 3
IMEF = 3.10
IWF = 2.9
99 kWh/yr

Electrical Requirements

120 V / 60 Hz
15 Amps

24 Total Washing Cycles:

Normal, Heavy Duty, Bedding, Permanent Press, Delicates, Activewear, Wool, Towels, Eco Cold, Rinse + Spin, Self Clean+, Small Load, Colors, Power Rinse, Spin Only, Outdoor, Denim, Super Speed, Steam Sanitize, Steam Allergen, Steam Normal, Power Steam, Steam Whites, Steam Bulky

13 Additional Washing Options:

Presoak, Extra Rinse, My Cycle, Delay End, Smart Control, Super Speed, Child Lock, AI Pattern, Alarm, Calibration, Wi-Fi, Language, Factory Reset

5 Temperature Settings:

Extra Hot, Hot, Warm, Cool, Cold

5 Spin Settings:

Extra High, High, Medium, Low, Extra Low

5 Soil Settings:

Heavy, Heavy Medium, Normal, Low Medium, Light

Warranty

One (1) Year Parts and Labor
Three (3) Years Stainless Steel Drum (Part Only)
Ten (10) Years DD Motor (Part Only)

Product Dimensions & Weight (WxHxD)

Dimensions: 27" x 38³/₄" x 33¹/₂"
Weight: 216 lbs

Shipping Dimensions & Weight (WxHxD)

Dimensions: 29³/₈" x 42³/₈" x 35³/₈"
Weight: 220 lbs

¹Requires wireless network, Samsung account and Samsung SmartThings App. The Samsung Smart Things App supports Android OS 4.0 (ICS) or later which is optimized for Samsung smartphones (Galaxy S and Galaxy Note series). This app also supports iOS 7 or later for iPhone models. Samsung SmartThings App available in App Store and Play Store.

²ADA Compliant when using 27" wide riser. (Riser model codes: WE272NV, WE272NW, WE272NC)

Available Colors



Brushed Black



Ivory

Washer	Model #	UPC Code
Brushed Black	WF50A8600AV	887276519005
Ivory	WF50A8600AE	887276518992

Matching Electric Dryer

Brushed Black	DVE50A8600V	887276517728
Ivory	DVE50A8600E	887276521558

Matching Gas Dryer

Brushed Black	DVG50A8600V	887276517759
Ivory	DVG50A8600E	887276517742

Optional Accessories

Brushed Black/Black Stainless Steel Pedestal	WE402NV	887276310145
Brushed Black/Black Stainless Steel Riser	WE272NV	887276197630
Ivory Pedestal	WE402NE	887276529073
MultiControl™	DV-MCK	887276528953
Stacking Kit	SKK-8K	887276344034

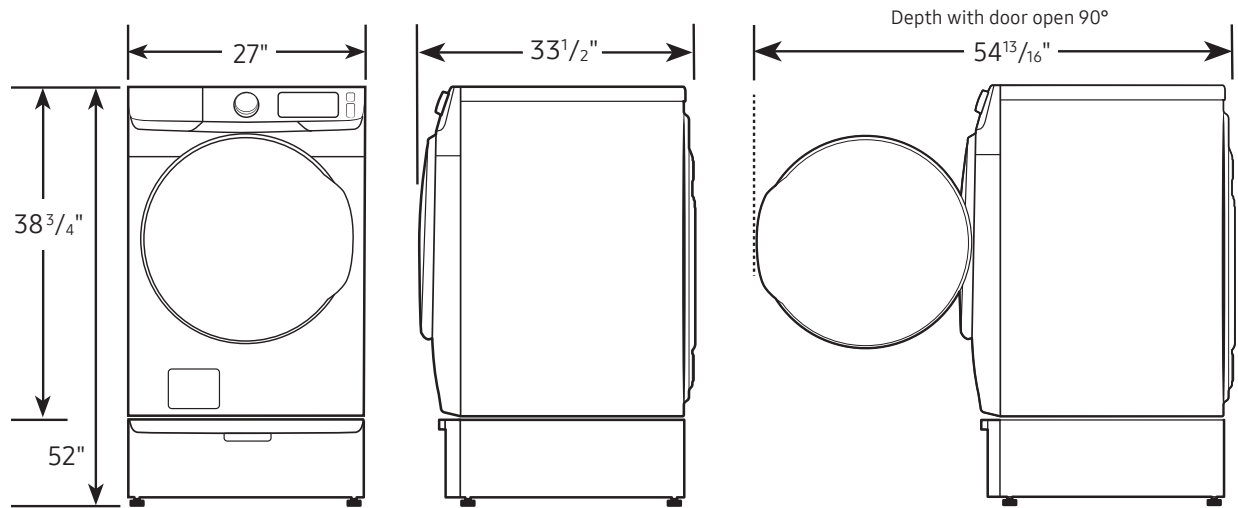
WF50A8600AV

SAMSUNG

Samsung 5.0 cu. ft. Extra-Large Capacity Smart Dial Front Load Washer with MultiControl™

Dimensions

Required dimensions for installation with pedestal:

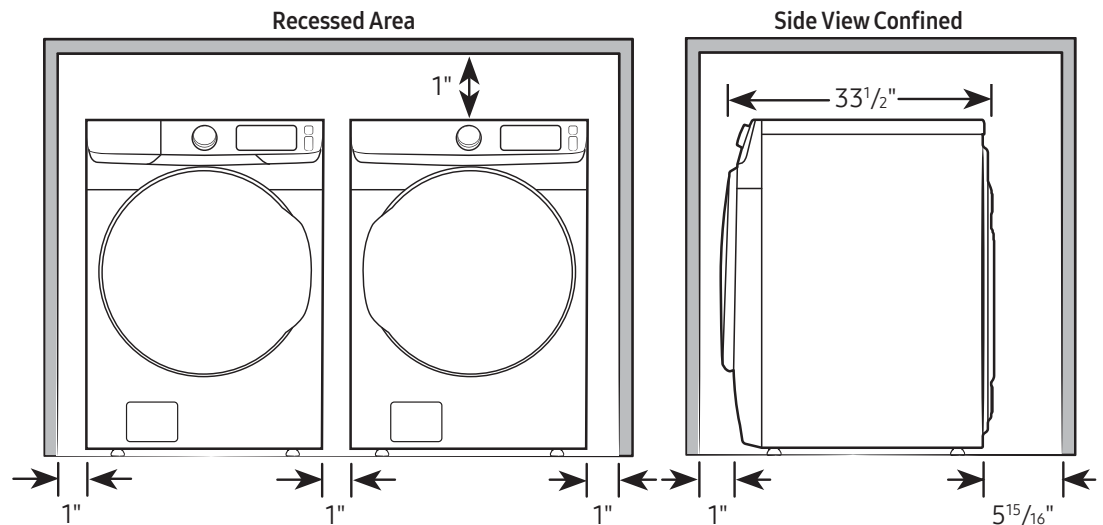


Installation Specifications – Side-by-Side or Stand-Alone

If the washer and dryer are installed together or the dryer alone, the closet front must have two unobstructed air openings for a combined minimum total area of 72-inch². Your washer alone does not require a specific air opening.

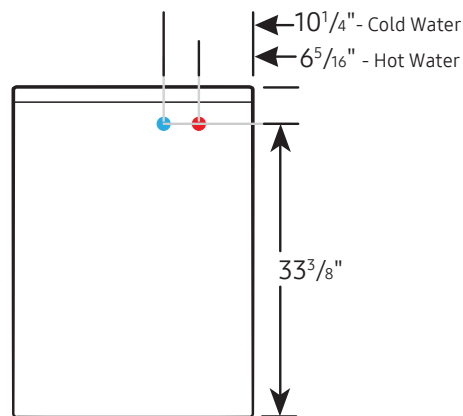
Alcove or closet installation

Minimum clearance for closet and alcove installations:



Connection Dimensions

Back view of washer



LEGEND:

- Cold Water Connection
- Hot Water Connection

Actual color may vary. Design, specifications, and color availability are subject to change without notice. Non-metric weights and measurements are approximate.

©2021 Samsung Electronics America, Inc., 85 Challenger Road, Ridgefield Park, NJ 07660. Tel: 800-SAMSUNG. samsung.com. Samsung is a registered trademark of Samsung Electronics Co., Ltd.

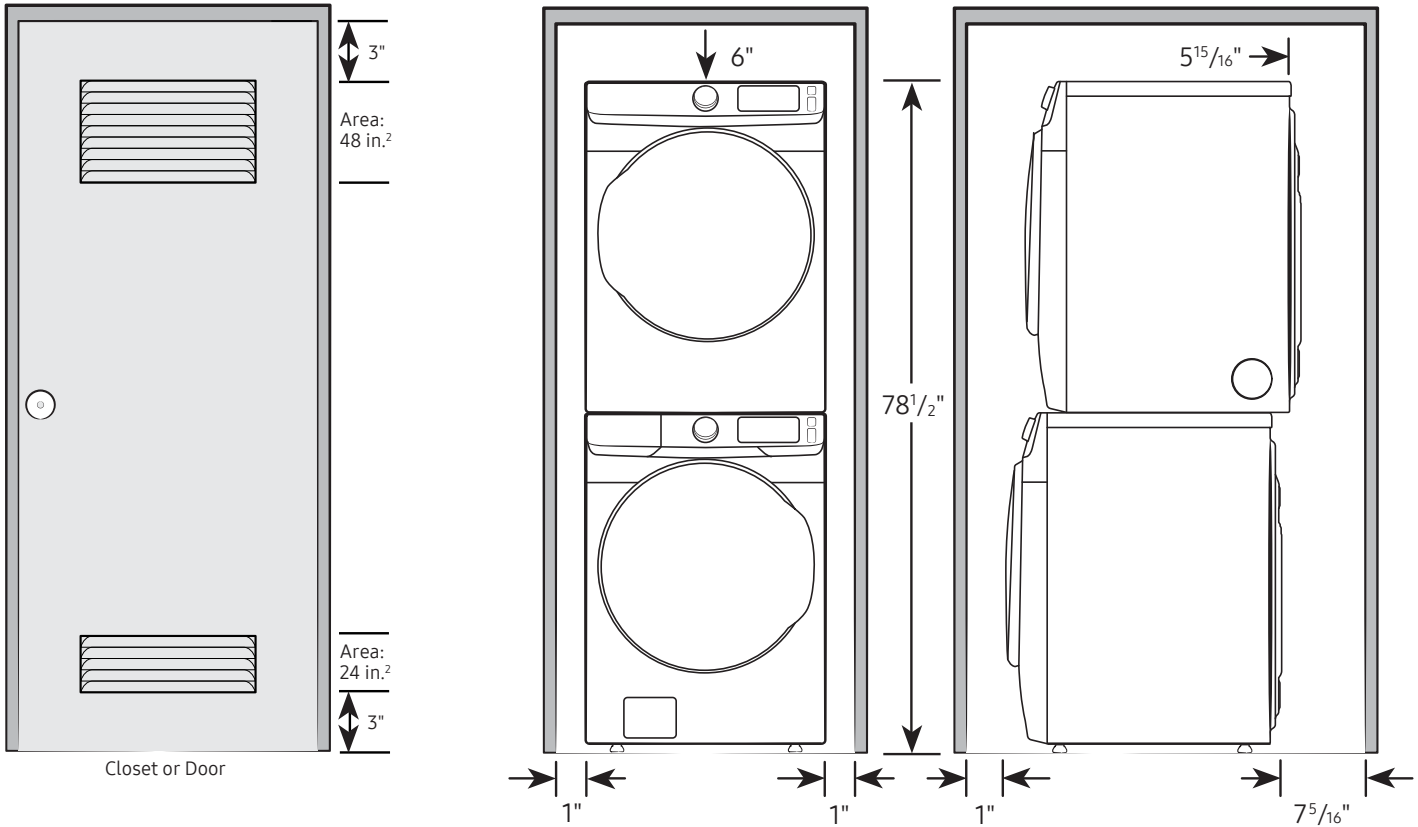
WF50A8600AV

SAMSUNG

Samsung 5.0 cu. ft. Extra-Large Capacity Smart Dial Front Load Washer with MultiControl™

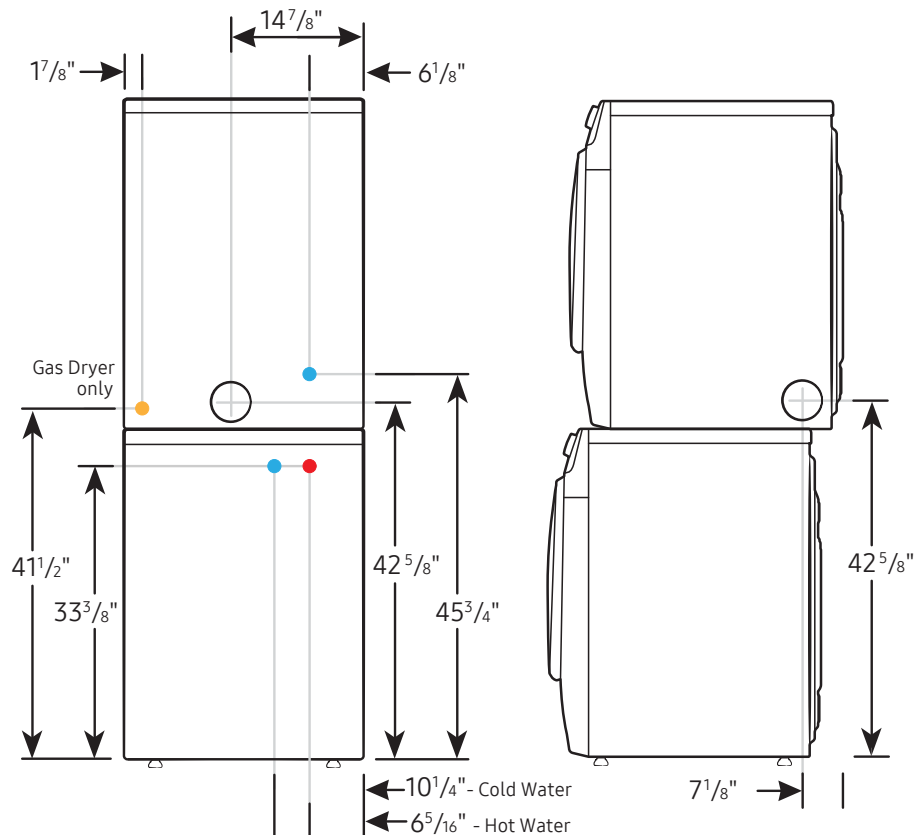
Installation Specifications – Stacked Pair

Clearances indicated are for stacked pairs. The closet front must have two unobstructed air openings for a combined minimum total area of 72-inch².



Connection Dimensions

Back and side views of stacked pair



LEGEND:

- Cold Water Connection
- Hot Water Connection
- Gas Connection

Actual color may vary. Design, specifications, and color availability are subject to change without notice. Non-metric weights and measurements are approximate.

©2021 Samsung Electronics America, Inc., 85 Challenger Road, Ridgefield Park, NJ 07660. Tel: 800-SAMSUNG. samsung.com. Samsung is a registered trademark of Samsung Electronics Co., Ltd.