

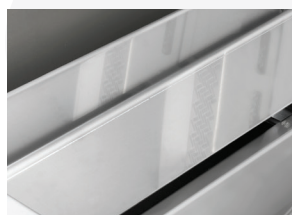
NEW PRODUCT ANNOUNCEMENT

ROGUE R425SIBNSS | R425SIBPSS AVAILABLE FOR SHIPPING 2016

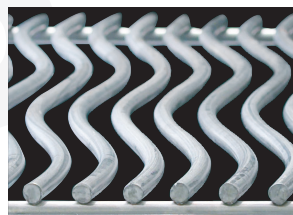
ROGUE

Product Features

- 45,000 total BTU'S
- 3 stainless steel 12,000 BTU tube burners
- 9,000 BTU infrared SIZZLE ZONE™ side burner
- 425 sq. in. main grilling area. 625 sq. in. total cooking area
- New design cuts assembly time in half over comparable models
- DUAL-LEVEL stainless steel sear plates
- Stainless steel 7.5mm WAVE™ cooking grids and chrome plated warming rack
- Stainless steel lid and doors with integrated inside storage compartment
- Detachable storage shelf on exterior side panels for convenient accessibility
- ACCU-PROBE™ temperature gauge
- Space saving, folding stainless steel side shelves with integrated tool hooks
- Pedestal base with easy locking casters
- Available in Natural Gas or Propane
- Propane model features tank stability ring
- Backed by the President's Limited Lifetime Warranty



DUAL-LEVEL
Stainless steel sear plates



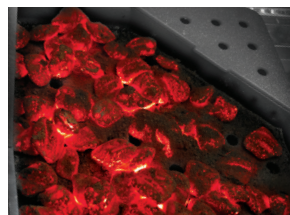
Stainless Steel WAVE™ Cooking Grids



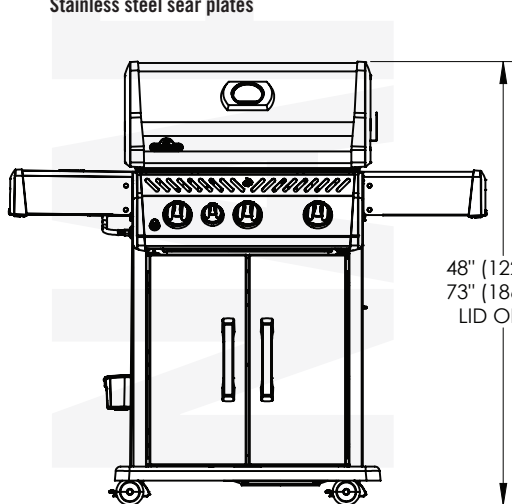
Infrared SIZZLE ZONE™ Side Burner



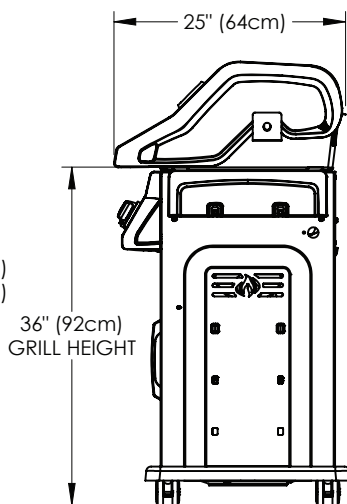
Detachable Storage Basket



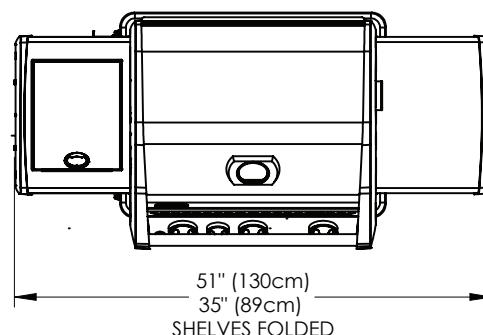
Fits the Optional Exclusive Cast Iron Charcoal Tray



48" (122cm)
73" (186cm)
LID OPEN



36" (92cm)
GRILL HEIGHT



51" (130cm)
35" (89cm)
SHELVES FOLDED