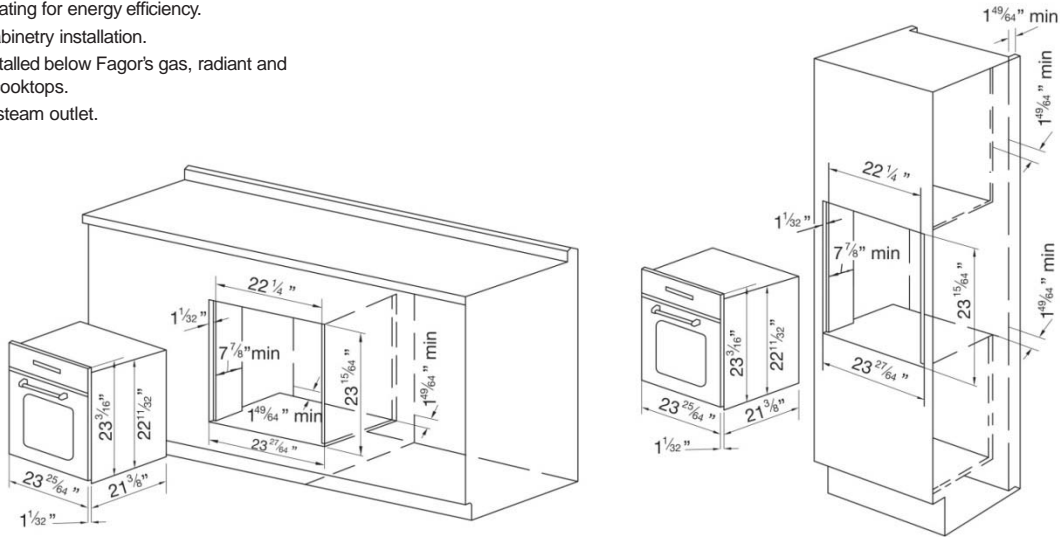




24" built-in single oven
6HA-196 BX
stainless steel
 Item Number: 921010021

- **European convection oven.**
- 4 cooking programs.
- Fixed controls.
- Display: time control.
- New easy to clean enamel.
- Cold safety door (3 glasses).
- Inner glass door.
- Class "A" rating for energy efficiency.
- Flush to cabinetry installation.
- Can be installed below Fagor's gas, radiant and induction cooktops.
- Ventilated steam outlet.



Fagor America, Inc
 43 Moonachie Road
 Hackensack, NJ 07601
 USA

PH: 201.804.3900
 FAX: 201.804.9898

www.fagoramerica.com
infoappliances@fagoramerica.com





24" Side door opening oven (left hinge)

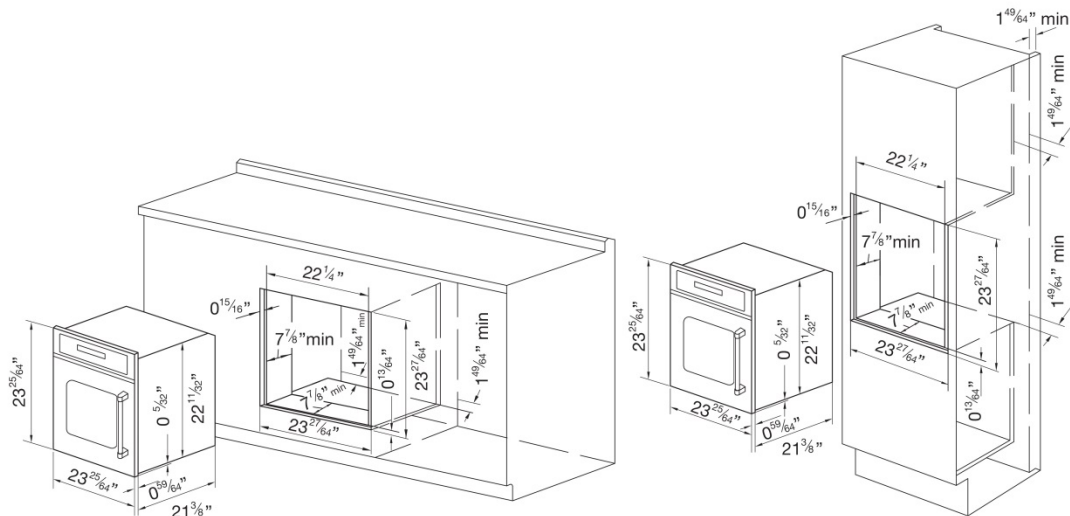
6HA-200 TLX
stainless steel
 Item Number: 921010024

- **European convection oven.**
- 10 cooking programs.
- LCD touch control
- New easy to clean enamel.
- Cold safety door (3 glasses).
- Inner glass door.
- Telescopic pull out system. Total access Tray.
- Class "A" rating for energy efficiency.
- Flush to cabinetry installation.
- Can be installed below Fagor's gas, radiant and induction cooktops.
- Child Safety Feature: Program Lock.
- Ventilated steam outlet.
- Special functions: Pizza and Memory

24" Side door opening oven (right hinge)

6HA-200 TRX
stainless steel
 Item Number: 921010022

- **European convection oven.**
- 10 cooking programs.
- LCD touch control
- New easy to clean enamel.
- Cold safety door (3 glasses).
- Inner glass door.
- Telescopic pull out system. Total access Tray.
- Class "A" rating for energy efficiency.
- Flush to cabinetry installation.
- Can be installed below Fagor's gas, radiant and induction cooktops.
- Child Safety Feature: Program Lock.
- Ventilated steam outlet.
- Special functions: Pizza and Memory



	BUILT-IN OVENS		
	24" Single		
	6HA-196X	6HA-200TLX	6HA-200TRX
GENERAL FEATURES			
Useful oven cavity (ft3)	1.98	1.98	1.98
Cooking programs	4	10	10
Cooling Fan System	Yes	Yes	Yes
Type of knobs	Fixed	Touch	Touch
Inner glass door	Yes	Yes	Yes
Side opening	No	Left	Right
European Convection System	Yes	Yes	Yes
Pizza function	No	Yes	Yes
Memory function	No	Yes	Yes
Preheat Booster (Celeris)	No	Yes	Yes
Electrical cable	Yes	Yes	Yes
Interior oven light	Yes	Yes	Yes
CLEANING			
Enameled walls	Yes	Yes	Yes
PROGRAMMING			
Electronic program start/stop	Yes	Yes	Yes
Electronic clock timer	Yes	Yes	Yes
Delay start cooking	Yes	Yes	Yes
OPERATING CONTROL			
Display with time control	Yes	Yes	Yes
Program / Temperature selector	Yes	Yes	Yes
+/- Buttons	No	Yes	Yes
Temperature thermostat	150 to 500	150 to 500	150 to 500
Electronic temperature pre-selection	No	Yes	Yes
Oven pilot light	Yes	Yes	Yes
Thermostat pilot light	Yes	No	No
SAFETY			
Safety thermostat	Yes	Yes	Yes
Number of glasses	3	3	3
Child safety lock	No	Yes	Yes
TECHNICAL SPECIFICATIONS			
Total power 240 (kW)	2.3	3.2	3.2
Top element Inner / Outer (Kw)	2.1 / No	2.1 / 1.96	2.1 / 1.96
Convection element (kW)	1.96	1.96	1.96
Bottom element (kW)	No	1.1	1.1
Voltage / Frequency (V/Hz)	240 / 60	240 / 60	240 / 60
Intensity to 240 V (A)	15	15	15
ACCESSORIES			
Enameled deep tray	1	1	1
Rack for baking tray	No	1	1
Enameled shallow tray	1	1	1
Chrome rack (with safety position)	1	2	2
Rotisserie Rack	No	No	No
Telescopic rails	No	2	2
EXTERIOR DIMENSIONS			
Width	23 25/64"	23 25/64"	23 25/64"
Height	23 15/64"	23 25/64"	23 25/64"
Depth	21 3/8"	21 3/8"	21 3/8"
INTERIOR DIMENSIONS			
Width	17 1/8"	17 1/8"	17 1/8"
Height	12 19/32"	12 19/32"	12 19/32"
Depth	15 3/4"	15 3/4"	15 3/4"

Fagor America, Inc
43 Moonachie Road
Hackensack, NJ 07601
USA
PH: 201.804.3900
FAX: 201.804.9898
www.fagoramerica.com
infoappliances@fagoramerica.com

