

Appliances that do everything. Except compromise.

2010 Home Appliances Full Product Line



BOSCH

2010 Home Appliances Full Product Line

AjMadi
Your Appliance Authority™
800-570-3355

Bosch Home Appliances

North America Corporate Office
5551 McFadden Avenue
Huntington Beach, CA 92649
1.800.944.2904
www.bosch-home.com/us

Bosch Home Appliances Canada

5800 Explorer Drive, Suite 310
Mississauga, Ontario, L4W 5K9
1.800.944.2904
www.bosch-home.ca





AIMadison
Your Appliance Authority™
800-570-3335



Aj Madison
Your Appliance Authority™
800-570-3355

What others call eco-friendly, we've always called Bosch engineering.

For Bosch, producing quality, efficient, effective products that use fewer resources for better results isn't a fad or a new approach – it's what we've always done. Creating powerful, well-made appliances that use less, while you get more. Using an innovative technology and smart engineering to make products that improve not only our daily life, but the future as well. However you want to define it, as “green”, as “efficient” or simply as “Bosch”, it's the result of having a heritage of innovation and a continuing commitment to quality in everything we do.

AjMadison
Your Appliance Authority™

800-570-3355

Quality

Like the ingredients used in preparing the perfect meal, every Bosch appliance is built with only the finest materials. Assembled with robotic precision, then tested to ensure they meet the standards set by our German engineers. The word “perfectionist” should leap to mind. In fact, nothing—not one product bearing the Bosch logo—leaves our factory until it's 100%.

Efficiency

An amazing machine that risks harming the environment is as unacceptable to us as a green appliance that doesn't do its job. More than creating the most innovative appliances available, Bosch engineering balances the highest performance achievable with the least amount of impact on the environment. Enough so as to earn ENERGY STAR® ratings for every one of our clothes washers, refrigerators, and dishwashers.

Sustainability

Bosch is a recognized as a worldwide leader in sustainable manufacturing. By fully embracing green manufacturing technologies, we were the first manufacturer in the world to discontinue the use of CFCs in the production of our refrigerators. As well as the first to have all of our facilities certified 14001 by the International Organization for Standardization, meaning we adhere to the strictest environmental codes.



Aj Madison
Your Appliance Authority™

800-570-3355



Green Technology Inside

Of course, we don't want to be shy about announcing that we do strive to be green. Our dishwashers are the most efficient in the U.S.*, while Vision washer's ActiveWater technology reduces water usage by up to 64% per load**. So look for the "Green Technology inside" logo on these and other Bosch products, because you'll know they've met our highest efficiency standards.

*Based on all competitor's ENERGY STAR® qualified freestanding side-by-side refrigerators.

**Industry average based on non-ENERGY STAR® qualified clothes washer per-cycle consumption.



AjMadison
Your Appliance Authority™
800-570-3355

6

Dishwashers


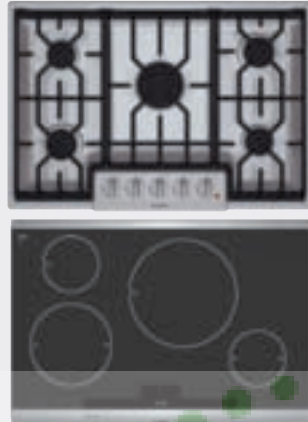




72

Refrigeration



Table of Contents

26	38	50	64
Ovens, Microwaves, and Warming Drawers	Cooktops	Ranges	Ventilation
			

AjMadison
Your Appliances Authority™

86	100	108
Laundry	Small Appliances	Technical Details, Dimensions and Installation
		

800-570-3355



AjMadison
Your Appliance Authority™
800-570-3355

If you didn't notice it was a Bosch, you'd never know it was there. That's how quiet our dishwashers are. Like gentle rain, our machines, with advanced noise reduction, register as low as 40 dBA—the quietest in the U.S.* Just don't let the calm, quiet demeanor lull you into thinking the innovation ends there because Bosch exclusives like EcoAction® raise energy and water efficiency to consistently surpass ENERGY STAR® levels.

*Based on available sound information on competitors' websites, June 2010.

Dishwashers

Integra® | Evolution® | Special Application

Dishwashers



There is a lot to say about something so quiet.

Quietness

Bosch dishwashers constantly earn top rankings from leading consumer publications and test labs worldwide. Of course, you may not have heard that. Or anything at all. Buried behind three layers of sound-muffling coated metal and cotton-fiber insulation, our suspended, two-pump motor system dramatically reduces vibration and noise.



Two-pump motor system

By using two small pumps to individually wash and drain instead of a single large one, vibration and noise are dramatically reduced. Smaller parts and a more contained motion contribute to our unparalleled sound reduction system.

Suspension motor

We've suspended our two-pump motor system using rubber hammocks to help absorb and minimize any vibration and noise, quieting your kitchen.

Solid molded base

Solid construction and enhanced insulation reduce vibration and add to overall noise reduction.

Ultra-quiet drain pump

The brushless direct current (BLDC) design softens water noise and eliminates draining sounds. Plus, a new dispenser location and optimized hydraulics combined with our famous suspension motor and two-pump motor system make Bosch dishwashers more quiet than ever before.

Quietest brand

Noise is measured in decibels (dBA). A whisper is about 30 dBA and a normal conversation is about 60 dBA. As the quietest dishwashers in the U.S.,* Bosch has a silence rating as low as 40 dBA, equivalent to a library.



InfoLight®

Sometimes your dishwasher might be so quiet, you won't know it's on. That's why there's InfoLight, a small red light projected onto the floor to indicate that your dishwasher is still in one of its cycles.

*Based on available sound information in on competitors' web sites, June 2010.

**Based on standard-size dishwashers, according to ENERGY STAR®.

Efficiency

Exceeding the 2011 ENERGY STAR® requirements is impressive. Building the most efficient line in the U.S., amazing. Doing both makes us Bosch. Our advanced EcoSense® Wash Management System measures soil levels, then adjusts water and heat usage automatically to reduce energy usage by up to 20%.



Most efficient

The 800 Plus is the most efficient dishwasher in the U.S.** Plus we have the most efficient dishwasher in each class. At 180 kilowatt hours per year, the 800 Plus uses 156% less energy than the federal standard.

Water efficiency

Bosch makes water work better by using less of it. Advanced systems combine for water efficiency that saves as much as three gallons per cycle compared to the average dishwasher, all while still ensuring optimal cleaning performance.

Flow-through water heater

Bosch dishwashers channel 100% of the water through tight coils in a confined heating chamber, which heats the water quickly and efficiently.



EcoAction®

When activated, automatic adjustments are made to the water temperature and cycle length for optimal efficiency, allowing you to reduce energy usage by up to 25%.

ActiveWater™

Technology that utilizes design, water pressure and efficiency to turn two gallons of water into the cleaning power of more than 1,300.

Safety

Arguably the safest on earth, Bosch dishwashers are the only ones in the U.S. with AquaStop®, our leak protection system that automatically detects water in the base, shuts off operation and pumps it out. On the outside, our ChildLock feature prevents little ones from opening the door or changing the wash program while a load is running.



AquaStop and AquaStop Plus

Bosch is the only U.S. manufacturer to offer a high-tech leak protection system in their dishwashers. AquaStop is a precisely engineered tub and sensor system that detects leaks in the solid molded base of the dishwasher, shuts down operation and automatically pumps out water so it cannot make contact with the floor. This eliminates the risk of costly water damage. The AquaStop Plus, available on the 800 Plus Series, includes an electro valve at the water tap and a unique, double-walled hose system for the most comprehensive safety system available.



SaniDry™ condensation drying system

Condensation drying works by heating the dishes with hot water from the final rinse. The closed system does not draw outside air into the dishwasher which makes it the most sanitary way to dry dishes.



ChildLock

For your children's safety and your peace of mind. The electronically controlled lock prevents changes to the wash program while the dishwasher is in operation.

Overflow protection system

Only Ascenta® 24/7 overflow protection system senses leaks even if the dishwasher is turned off. If water levels get too high, the dishwasher pumps the water out of the tub and closes the water inlet.

No exposed heating element

Our Flow-Through Water Heater prevents plastic items on the bottom rack from melting and protects you from accidental burns during unloading.



NSF-certified

Bosch dishwashers meet NSF standards ensuring that they have cleaned and sanitized dishes, effectively eliminating 99.9% of bacteria.

Quality

Bosch is committed to the highest, most stringent quality standards with 100% of dishwashers tested at the factory. Every dishwasher undergoes 485 individual quality control tests before being released from the factory. Bosch also tests its dishwashers for life, with lifetime tests for up to 4,000 wash cycles or 10 years. Bosch dishwashers' numerous awards attest to their quality and value.

Stainless steel tub

Bosch dishwashers' high-quality stainless steel construction retains heat better than plastic tubs, which helps dry dishes faster and more efficiently. They also come with a lifetime warranty against rust-through.



SteelTouch™ controls

Available on the 800 Plus Evolution® dishwasher, these controls are incredibly responsive and seamlessly integrated into the sharp stainless steel design.

American-built, German-engineered

The majority of Bosch dishwashers are assembled in our state-of-the-art facilities in New Bern, North Carolina. With German engineering and the American spirit, our dishwashers stand for the highest quality products on the market.



Glass Touch control

Available on the 800 Plus Integra® dishwasher, this touch-sensitive control panel offers smooth, elegant glass touch controls that are easy to use.

Good Housekeeping Seal

Many Bosch dishwashers are backed by the Good Housekeeping Seal—a two-year limited warranty.



Aj Madison
Your Appliance Authority™
800-570-3355



Performance

With Bosch, sophisticated technologies aren't just ultra-efficient, they're ultra-effective, getting dishes clean and spot-free, even while using less energy and water.



Variable spray pressure

Higher and lower spray pressure allows for better load customization and enhanced cleaning performance, based on the cycle that is selected.

Extra tall item sprinkler

Hand washing large items becomes a thing of the past, thanks to this handy innovation. Simply remove the top rack and place your serving platters, baking trays, hood filters and refrigerator shelves that are up to 22" high in the bottom rack.

ActiveTab® system

Innovatively designed and integrated into the middle of the dishwasher, ActiveTab helps dissolve detergent tablets more efficiently and effectively.



Half-load option

Use this option when washing small, lightly soiled loads that fill half or less of the dishwasher's capacity on both the top and bottom racks. It dramatically reduces energy and water consumption, and can be used with the Power Scrub, Regular and Auto Wash cycles.

Water softener

The 800 Plus has a water-softening system that softens the water to the optimal level and eliminates spots caused by lime deposits left behind by hard water.

Triple filtration system

The new triple filtration system uses a three-step process to remove even the finest dirt particles from the washing cycle, for sparkling-clean dishes and glasses every time. And all three filter elements are self-cleaning for worry-free operation.



Capacity

Each Bosch dishwasher is designed to maximize space and flexibility, giving you the space you need to effectively organize your dishes and clean them more efficiently.



(800 Series Racks Shown)

RackMatic® and RackMatic Plus

The RackMatic and RackMatic Plus upper-basket-height adjustment allows for easy and comfortable adjustment of the racks when loaded. It has two simple steps to enhance loading flexibility with regards to plate sizes and height of glasses.

Silverware basket

The removable silverware basket can be placed anywhere in the dishwasher, adding space for other items. Plus, the basket can be split in two pieces, placed side-by-side or back-to-back for the ultimate flexibility in loading.



800 Plus third rack

Unique V-shaped design helps to separate silverware, making it easier to clean, while providing extra room for large, odd-shaped cutlery and small dishes.



Place settings

Bosch designs its racks to accommodate even the largest dinner parties, with most models able to accommodate up to 14 place settings in one load, and the 800 Plus leading the way by being able to handle up to 15.

Integra® Dishwasher Specifications



	800 Plus Series	800 Plus Series	800 Plus Series
Model Numbers	<ul style="list-style-type: none"> – SHX68E15UC Stainless Steel – SHV68E13UC Custom Panel 	<ul style="list-style-type: none"> – SHX68E05UC Stainless Steel 	<ul style="list-style-type: none"> – SHX58E15UC Stainless Steel – SHV58E13UC Custom Panel
Appearance	<ul style="list-style-type: none"> – Stainless Steel TallTub – Six Wash Cycles and Five Options 	<ul style="list-style-type: none"> – Stainless Steel TallTub – Six Wash Cycles and Five Options 	<ul style="list-style-type: none"> – Stainless Steel TallTub – Five Wash Cycles and Three Options
Quietness	<ul style="list-style-type: none"> – Virtually Silent: 40 dBA – Quietest Dishwasher in the U.S. – InfoLight® Cycle Indicator LED – Solid Base Contains Sound & Prevents Leaks 	<ul style="list-style-type: none"> – Virtually Silent: 42 dBA – InfoLight® Cycle Indicator LED – Solid Base Contains Sound & Prevents Leaks 	<ul style="list-style-type: none"> – Virtually Silent: 45 dBA – InfoLight® Cycle Indicator LED – Solid Base Contains Sound & Prevents Leaks
Efficiency	<ul style="list-style-type: none"> – 180 kWh/yr–ENERGY STAR® Qualified – Uses only 1.57 gallons of water per load – Exceeds ENERGY STAR Requirements by 86% for Energy and 269% for Water – Most Efficient Dishwasher in the U.S. – EcoAction® Option–Bosch Exclusive – EcoSense® Reduces Energy Usage up to 20% – Half-load Option for Small Loads 	<ul style="list-style-type: none"> – 180 kWh/yr–ENERGY STAR® Qualified – Uses only 1.57 gallons of water per load – Exceeds ENERGY STAR Requirements by 86% for Energy and 269% for Water – Most Efficient Dishwasher in the U.S. – EcoAction® Option–Bosch Exclusive – EcoSense® Reduces Energy Usage up to 20% – Half-load Option for Small Loads 	<ul style="list-style-type: none"> – 259 kWh/yr–ENERGY STAR® Qualified – Uses only 1.57 gallons of water per load – Exceeds ENERGY STAR Requirements by 26% for Energy and 269% for Water – EcoAction® Option–Bosch Exclusive – EcoSense® Reduces Energy Usage up to 20% – Half-load Option for Small Loads
Safety	<ul style="list-style-type: none"> – AquaStop® Plus Four-part 24/7 Leak Protection – Sanitize Option Removes Bacteria & Enhances Drying 	<ul style="list-style-type: none"> – AquaStop® Plus Four-part 24/7 Leak Protection – Sanitize Option Removes Bacteria & Enhances Drying 	<ul style="list-style-type: none"> – AquaStop® Plus Four-part 24/7 Leak Protection
Capacity	<ul style="list-style-type: none"> – 15 Place Setting Capacity – Third Rack for Additional Loading Capacity – VarioFlex™ Plus Racks for Flexible Loading – RackMatic® Plus allows Three Loading Levels – Extra Tall Item Sprinkler Cleans Items 22" Tall 	<ul style="list-style-type: none"> – 15 Place Setting Capacity – Third Rack for Additional Loading Capacity – VarioFlex™ Racks for Flexible Loading – RackMatic® Plus allows Three Loading Levels – Extra Tall Item Sprinkler Cleans Items 22" Tall 	<ul style="list-style-type: none"> – 15 Place Setting Capacity – Third Rack for Additional Loading Capacity – Vario™ Racks for Flexible Loading – RackMatic® Plus allows Three Loading Levels – Extra Tall Item Sprinkler Cleans Items 22" Tall
Convenience	<ul style="list-style-type: none"> – Multi-Function LED with Remaining Time – 24 Hour Delay Start Timer – Quick Wash–In 30 Minutes or Less 	<ul style="list-style-type: none"> – Multi-Function LED with Remaining Time – 24 Hour Delay Start Timer – Quick Wash–In 30 Minutes or Less 	<ul style="list-style-type: none"> – Multi-Function LED with Remaining Time – 24 Hour Delay Start Timer – Quick Wash–In 30 Minutes or Less
Performance	<ul style="list-style-type: none"> – Water Softener Ensures Perfect Cleaning – ActiveTab® Tray Optimizes Det. Dissolving – Variable Spray Pressure – Load Size Sensor Automates Wash Cycle 	<ul style="list-style-type: none"> – Water Softener Ensures Perfect Cleaning – ActiveTab® Tray Optimizes Det. Dissolving – Variable Spray Pressure 	<ul style="list-style-type: none"> – Water Softener Ensures Perfect Cleaning – ActiveTab® Tray Optimizes Det. Dissolving – Variable Spray Pressure
Accessories	<ul style="list-style-type: none"> – SGZ1010UC Supply and Drainage Hose Extension – SGZ5000 800 Plus Four-part Accessory Kit – SMZ5002 800 Plus Anti-Tarnish Silverware Cassette – SGZ9091UC Dishwasher Water Soft. Salt 	<ul style="list-style-type: none"> – SGZ1010UC Supply and Drainage Hose Extension – SGZ5000 800 Plus Four-part Accessory Kit – SMZ5002 800 Plus Anti-Tarnish Silverware Cassette – SGZ9091UC Dishwasher Water Soft. Salt 	<ul style="list-style-type: none"> – SGZ1010UC Supply and Drainage Hose Extension – SGZ5000 800 Plus Four-part Accessory Kit – SMZ5002 800 Plus Anti-Tarnish Silverware Cassette – SGZ9091UC Dishwasher Water Soft. Salt



800 Series	500 Series	500 Series
<ul style="list-style-type: none"> – SHX68P05UC Stainless Steel – SHV68P03UC Custom Panel 	<ul style="list-style-type: none"> – SHX65P05UC Stainless Steel – SHX65P06UC Black – SHX65P02UC White – SHV65P03UC Custom Panel 	<ul style="list-style-type: none"> – SHX45P05UC Stainless Steel – SHX45P06UC Black – SHX45P02UC White – SHX45P01UC Titanium
<ul style="list-style-type: none"> – Stainless Steel TallTub – Six Wash Cycles and Three Options 	<ul style="list-style-type: none"> – Stainless Steel TallTub – Six Wash Cycles and Three Options 	<ul style="list-style-type: none"> – Stainless Steel TallTub – Four Wash Cycles and Two Options
<ul style="list-style-type: none"> – Virtually Silent: 44 dBA – InfoLight® Cycle Indicator LED – Solid Base Contains Sound & Prevents Leaks 	<ul style="list-style-type: none"> – Virtually Silent: 47 dBA – InfoLight® Cycle Indicator LED – Solid Base Contains Sound & Prevents Leaks 	<ul style="list-style-type: none"> – Virtually Silent: 47 dBA – InfoLight® Cycle Indicator LED – Solid Base Contains Sound & Prevents Leaks
<ul style="list-style-type: none"> – 234 kWh/yr–ENERGY STAR® Qualified – Uses only 2.21 gallons of water per load – Exceeds ENERGY STAR Requirements by 39% for Energy and 162% for Water – EcoSense® Reduces Energy Usage up to 20% – Half-load Option for Small Loads 	<ul style="list-style-type: none"> – 259 kWh/yr–ENERGY STAR® Qualified – Uses only 2.86 gallons of water per load – Exceeds ENERGY STAR Requirements by 26% for Energy and 103% for Water – EcoSense® Reduces Energy Usage up to 20% – Half-load Option for Small Loads 	<ul style="list-style-type: none"> – 259 kWh/yr–ENERGY STAR® Qualified – Uses only 2.86 gallons of water per load – Exceeds ENERGY STAR Requirements by 26% for Energy and 103% for Water – EcoSense® Reduces Energy Usage up to 20% – Half-load Option for Small Loads
<ul style="list-style-type: none"> – AquaStop® Leak Protection – Sanitize Option Removes Bacteria & Enhances Drying – NSF-certified–Eliminates 99.9% of Bacteria 	<ul style="list-style-type: none"> – AquaStop® Leak Protection – Sanitize Option Removes Bacteria & Enhances Drying – NSF-certified–Eliminates 99.9% of Bacteria 	<ul style="list-style-type: none"> – AquaStop® Leak Protection – NSF-certified–Eliminates 99.9% of Bacteria
<ul style="list-style-type: none"> – 14 Place Setting Capacity – 800 Series Racks with Flexible Silverware Basket – RackMatic® Automatically Adjustable Upper Rack – Extra Tall Item Sprinkler Cleans Items 22" Tall 	<ul style="list-style-type: none"> – 14 Place Setting Capacity – 500 Series Racks with Flexible Silverware Basket – RackMatic® Automatically Adjustable Upper Rack – Extra Tall Item Sprinkler Cleans Items 22" Tall 	<ul style="list-style-type: none"> – 14 Place Setting Capacity – 500 Series Racks with Flexible Silverware Basket – RackMatic® Automatically Adjustable Upper Rack – Extra Tall Item Sprinkler Cleans Items 22" Tall
<ul style="list-style-type: none"> – Multi-Function LED with Remaining Time – 19 Hour Delay Start Timer – Quick Wash–In 30 Minutes or Less 	<ul style="list-style-type: none"> – Multi-Function LED with Remaining Time – 19 Hour Delay Start Timer – Quick Wash–In 30 Minutes or Less 	<ul style="list-style-type: none"> – Multi-Function LED with Remaining Time – 19 Hour Delay Start Timer – Quick Wash–In 30 Minutes or Less
<ul style="list-style-type: none"> – Variable Spray Pressure 	<ul style="list-style-type: none"> – n/a 	<ul style="list-style-type: none"> – n/a
<ul style="list-style-type: none"> – SGZ1010UC Supply and Drainage Hose Extension – SGZ1052UC Four-part Accessory Kit – SGZPC001UC Power Cord w/Connectors – SMZ5002UC Anti-Tarnish Silverware Cassette 	<ul style="list-style-type: none"> – SGZ1010UC Supply and Drainage Hose Extension – SGZ1052UC Four-part Accessory Kit – SGZPC001UC Power Cord w/Connectors – SMZ5002UC Anti-Tarnish Silverware Cassette 	<ul style="list-style-type: none"> – SGZ1010UC Supply and Drainage Hose Extension – SGZ1052UC Four-part Accessory Kit – SGZPC001UC Power Cord w/Connectors – SMZ5002UC Anti-Tarnish Silverware Cassette

Your Appliance Authority™
 800-570-3333



Integra® Dishwasher Specifications



	500 Series	500 Series	300 Series
Model Numbers	– SHX45L05UC Stainless Steel	– SHX45L15UC Stainless Steel	– SHX43P15UC Stainless Steel – SHX43P16UC Black – SHX43P12UC White – SHV43P13UC Custom Panel
Appearance	<ul style="list-style-type: none"> – Stainless Steel TallTub – Four Wash Cycles and Two Options – Stainless Steel Painted Control Panel – Tubular Handle 	<ul style="list-style-type: none"> – Stainless Steel TallTub – Four Wash Cycles and Two Options – Stainless Steel Painted Control Panel – Bosch Handle 	<ul style="list-style-type: none"> – Stainless Steel TallTub – Four Wash Cycles and One Option
Quietness	<ul style="list-style-type: none"> – Virtually Silent: 47 dBA – InfoLight® Cycle Indicator LED – Solid Base Contains Sound & Prevents Leaks 	<ul style="list-style-type: none"> – Virtually Silent: 47 dBA – InfoLight® Cycle Indicator LED – Solid Base Contains Sound & Prevents Leaks 	<ul style="list-style-type: none"> – Virtually Silent: 50 dBA – Solid Base Contains Sound & Prevents Leaks
Efficiency	<ul style="list-style-type: none"> – 259 kWh/yr–ENERGY STAR® Qualified – Uses only 2.86 gallons of water per load – Exceeds ENERGY STAR Requirements by 26% for Energy and 103% for Water – EcoSense® Reduces Energy Usage up to 20% – Half-load Option for Small Loads 	<ul style="list-style-type: none"> – 259 kWh/yr–ENERGY STAR® Qualified – Uses only 2.86 gallons of water per load – Exceeds ENERGY STAR Requirements by 26% for Energy and 103% for Water – EcoSense® Reduces Energy Usage up to 20% – Half-load Option for Small Loads 	<ul style="list-style-type: none"> – 259 kWh/yr–ENERGY STAR® Qualified – Uses only 2.86 gallons of water per load – Exceeds ENERGY STAR Requirements by 26% for Energy and 103% for Water – EcoSense® Reduces Energy Usage up to 20% – Half-load Option for Small Loads
Safety	<ul style="list-style-type: none"> – AquaStop® Leak Protection – NSF-certified–Eliminates 99.9% of Bacteria 	<ul style="list-style-type: none"> – AquaStop® Leak Protection – NSF-certified–Eliminates 99.9% of Bacteria 	<ul style="list-style-type: none"> – AquaStop® Leak Protection – NSF-certified–Eliminates 99.9% of Bacteria
Capacity	<ul style="list-style-type: none"> – 14 Place Setting Capacity – 500 Series Racks with Flexible Silverware Basket – RackMatic® Automatically Adjustable Upper Rack – Extra Tall Item Sprinkler Cleans Items 22" Tall 	<ul style="list-style-type: none"> – 14 Place Setting Capacity – 500 Series Racks with Flexible Silverware Basket – RackMatic® Automatically Adjustable Upper Rack 	<ul style="list-style-type: none"> – 14 Place Setting Capacity – 300 Series Racks with Flexible Silverware Basket – Manual Height Adjustment Upper Rack
Convenience	<ul style="list-style-type: none"> – Multi-Function LED with Remaining Time – 19 Hour Delay Start Timer – Quick Wash–In 30 Minutes or Less 	<ul style="list-style-type: none"> – Multi-Function LED with Remaining Time – 19 Hour Delay Start Timer – Quick Wash–In 30 Minutes or Less 	<ul style="list-style-type: none"> – Quick Wash–In 30 Minutes or Less
Performance	– n/a	– n/a	– n/a
Accessories	<ul style="list-style-type: none"> – SGZ1010UC Supply and Drainage Hose Extension – SGZ1052UC Four-part Accessory Kit – SGZPC001UC Power Cord w/Connectors – SMZ5002UC Anti-Tarnish Silverware Cassette 	<ul style="list-style-type: none"> – SGZ1010UC Supply and Drainage Hose Extension – SGZ1052UC Four-part Accessory Kit – SGZPC001UC Power Cord w/Connectors – SMZ5002UC Anti-Tarnish Silverware Cassette 	<ul style="list-style-type: none"> – SGZ1010UC Supply and Drainage Hose Extension – SGZ1052UC Four-part Accessory Kit – SGZPC001UC Power Cord w/Connectors – SMZ5002UC Anti-Tarnish Silverware Cassette



Colors



Stainless Steel
(SHX65P05UC
Model Shown)



Black
(SHX65P06UC
Model Shown)



White
(SHX4AP02UC
Model Shown)



Titanium
(SHX45P01UC
Model Shown)



Fully Integrated
(SHV65P03UC
Model Shown)



Ascenta® Series	Ascenta® Series	Ascenta® Series
<ul style="list-style-type: none"> – SHX6AP05UC Stainless Steel – SHX6AP06UC Black – SHX6AP02UC White 	<ul style="list-style-type: none"> – SHX5AL05UC Stainless Steel – SHX5AL06UC Black – SHX5AL02UC White 	<ul style="list-style-type: none"> – SHX4AP05UC Stainless Steel – SHX4AP06UC Black – SHX4AP02UC White
<ul style="list-style-type: none"> – Stainless Steel TallTub w/ PP* – Six Wash Cycles and Two Options 	<ul style="list-style-type: none"> – Stainless Steel TallTub w/ PP* – Five Wash Cycles and Two Options 	<ul style="list-style-type: none"> – Stainless Steel TallTub w/ PP* – Four Wash Cycles and Two Options
<ul style="list-style-type: none"> – Virtually Silent: 50 dBA 	<ul style="list-style-type: none"> – Virtually Silent: 53 dBA 	<ul style="list-style-type: none"> – Virtually Silent: 53 dBA
<ul style="list-style-type: none"> – 300 kWh/yr–ENERGY STAR® Qualified – Uses only 2.38 gallons of water per load – Exceeds ENERGY STAR Requirements by 9% for Energy and 144% for Water – EcoSense® Reduces Energy Usage up to 20% – Half-load Option for Small Loads 	<ul style="list-style-type: none"> – 300 kWh/yr–ENERGY STAR® Qualified – Uses only 2.38 gallons of water per load – Exceeds ENERGY STAR Requirements by 9% for Energy and 144% for Water – EcoSense® Reduces Energy Usage up to 20% – Half-load Option for Small Loads 	<ul style="list-style-type: none"> – 300 kWh/yr–ENERGY STAR® Qualified – Uses only 2.38 gallons of water per load – Exceeds ENERGY STAR Requirements by 9% for Energy and 144% for Water – EcoSense® Reduces Energy Usage up to 20% – Half-load Option for Small Loads
<ul style="list-style-type: none"> – Bosch Exclusive 24/7 Overflow Leak Protection – NSF-certified–Eliminates 99.9% of Bacteria 	<ul style="list-style-type: none"> – Bosch Exclusive 24/7 Overflow Leak Protection – NSF-certified–Eliminates 99.9% of Bacteria 	<ul style="list-style-type: none"> – Bosch Exclusive 24/7 Overflow Leak Protection – NSF-certified–Eliminates 99.9% of Bacteria
<ul style="list-style-type: none"> – 14 Place Setting Capacity – 300 Series Racks with Flexible Silverware Basket – Manual Height Adjustment Upper Rack 	<ul style="list-style-type: none"> – 14 Place Setting Capacity – Standard Racks with Standard Silverware Basket 	<ul style="list-style-type: none"> – 14 Place Setting Capacity – Standard Racks with Standard Silverware Basket
<ul style="list-style-type: none"> – Three-, Six-, Nine-hour Delay Start Timer – Quick Wash–In 30 Minutes or Less 	<ul style="list-style-type: none"> – Three-, Six-, Nine-hour Delay Start Timer – Quick Wash–In 30 Minutes or Less 	<ul style="list-style-type: none"> – Three-, Six-, Nine-hour Delay Start Timer – Quick Wash–In 30 Minutes or Less
<ul style="list-style-type: none"> – n/a 	<ul style="list-style-type: none"> – n/a 	<ul style="list-style-type: none"> – n/a
<ul style="list-style-type: none"> – SGZ1010UC Polypropylene Supply and Drainage Hose Extension – SGZ1052UC Four-part Accessory Kit – SGZPC001UC Power Cord w/Connectors – SMZ5002UC Anti-Tarnish Silverware Cassette 	<ul style="list-style-type: none"> – SGZ1010UC Polypropylene Supply and Drainage Hose Extension – SGZ1052UC Four-part Accessory Kit – SGZPC001UC Power Cord w/Connectors – SMZ5002UC Anti-Tarnish Silverware Cassette 	<ul style="list-style-type: none"> – SGZ1010UC Polypropylene Supply and Drainage Hose Extension – SGZ1052UC Four-part Accessory Kit – SGZPC001UC Power Cord w/Connectors – SMZ5002UC Anti-Tarnish Silverware Cassette

*Polypropylene

Evolution® Dishwasher Specifications



	800 Plus Series	800 Plus Series	800 Series
Model Numbers	– SHE68E15UC Stainless Steel	– SHE68E05UC Stainless Steel	– SHE68P05UC Stainless Steel – SHE68P06UC Black – SHE68P02UC White
Appearance	– Stainless Steel TallTub – Six Wash Cycles and Five Options	– Stainless Steel TallTub – Six Wash Cycles and Five Options	– Stainless Steel TallTub – Six Wash Cycles and Three Options
Quietness	– Virtually Silent: 40 dBA – Quietest Dishwasher in the U.S. – Solid Base Contains Sound & Prevents Leaks	– Virtually Silent: 42 dBA – Solid Base Contains Sound & Prevents Leaks	– Virtually Silent: 44 dBA – Solid Base Contains Sound & Prevents Leaks
Efficiency	– 180 kWh/yr–ENERGY STAR® Qualified – Uses only 1.57 gallons of water per load – Most Efficient Dishwasher in the U.S. – Exceeds ENERGY STAR Requirements by 86% for Energy and 269% for Water – EcoAction® Option–Bosch Exclusive – EcoSense® Reduces Energy Usage up to 20% – Half-load Option for Small Loads	– 180 kWh/yr–ENERGY STAR® Qualified – Uses only 1.57 gallons of water per load – Most Efficient Dishwasher in the U.S. – Exceeds ENERGY STAR Requirements by 86% for Energy and 269% for Water – EcoAction® Option–Bosch Exclusive – EcoSense® Reduces Energy Usage up to 20% – Half-load Option for Small Loads	– 234 kWh/yr–ENERGY STAR® Qualified – Uses only 2.21 gallons of water per load – Exceeds ENERGY STAR Requirements by 39% for Energy and 162% for Water – EcoSense® Reduces Energy Usage up to 20% – Half-load Option for Small Loads
Safety	– AquaStop® Plus Four-part 24/7 Leak Protection – Sanitize Option Removes Bacteria & Enhances Drying	– AquaStop® Plus Four-part 24/7 Leak Protection – Sanitize Option Removes Bacteria & Enhances Drying	– AquaStop® Leak Protection – Sanitize Option Removes Bacteria & Enhances Drying – NSF-certified–Eliminates 99.9% of Bacteria
Capacity	– 15 Place Setting Capacity – Third Rack for Additional Loading Capacity – VarioFlex™ Plus Racks for Flexible Loading – RackMatic® Plus allows Three Loading Levels – Extra Tall Item Sprinkler Cleans Items 22" Tall	– 15 Place Setting Capacity – Third Rack for Additional Loading Capacity – VarioFlex™ Racks for Flexible Loading – RackMatic® Plus allows Three Loading Levels – Extra Tall Item Sprinkler Cleans Items 22" Tall	– 14 Place Setting Capacity – 800 Series Racks with Flexible Silverware Basket – RackMatic® Automatically Adjustable Upper Rack – Extra Tall Item Sprinkler Cleans Items 22" Tall
Convenience	– Full Text Display – 24 Hour Delay Start Timer – Quick Wash–In 30 Minutes or Less	– Multi-Function LED with Remaining Time – 24 Hour Delay Start Timer – Quick Wash–In 30 Minutes or Less	– Multi-Function LED with Remaining Time – 19 Hour Delay Start Timer – Quick Wash–In 30 Minutes or Less
Performance	– Water Softener Ensures Perfect Cleaning – ActiveTab® Tray Optimizes Det. Dissolving – Variable Spray Pressure – Load Sensor Automates Wash Cycle	– Water Softener Ensures Perfect Cleaning – ActiveTab® Tray Optimizes Det. Dissolving – Variable Spray Pressure	– Variable Spray Pressure
Accessories	– SGZ1010UC Supply and Drainage Hose Extension – SGZ5000 800 Plus Four-part Accessory Kit – SMZ5002 800 Plus Anti-Tarnish Silverware Cassette – SGZ9091UC Dishwasher Water Softener Salt	– SGZ1010UC Supply and Drainage Hose Extension – SGZ5000 800 Plus Four-part Accessory Kit – SMZ5002 800 Plus Anti-Tarnish Silverware Cassette – SGZ9091UC Dishwasher Water Softener Salt	– SGZ1010UC Supply and Drainage Hose Extension – SGZ1052 Four-part Accessory Kit – SGZPC001UC Power Cord w/Connectors – SMZ5002UC Anti-Tarnish Silverware Cassette



500 Series	500 Series	500 Series
<ul style="list-style-type: none"> – SHE65P05UC Stainless Steel – SHE65P06UC Black – SHE65P02UC White 	<ul style="list-style-type: none"> – SHE55P05UC Stainless Steel – SHE55P06UC Black – SHE55P02UC White 	<ul style="list-style-type: none"> – SHE55M15UC Stainless Steel – SHE55M16UC Black – SHE55M12UC White
<ul style="list-style-type: none"> – Stainless Steel TallTub – Six Wash Cycles and Three Options 	<ul style="list-style-type: none"> – Stainless Steel TallTub – Five Wash Cycles and Three Options 	<ul style="list-style-type: none"> – Stainless Steel TallTub – Five Wash Cycles and Three Options
<ul style="list-style-type: none"> – Virtually Silent: 47 dBA – Solid Base Contains Sound & Prevent Leaks 	<ul style="list-style-type: none"> – Virtually Silent: 47 dBA – Solid Base Contains Sound & Prevent Leaks 	<ul style="list-style-type: none"> – Virtually Silent: 47 dBA – Solid Base Contains Sound & Prevent Leaks
<ul style="list-style-type: none"> – 259 kWh/yr–ENERGY STAR® Qualified – Uses only 2.86 gallons of water per load – Exceeds ENERGY STAR Requirements by 26% for Energy and 103% for Water – EcoSense® Reduces Energy Usage up to 20% – Half-load Option for Small Loads 	<ul style="list-style-type: none"> – 259 kWh/yr–ENERGY STAR® Qualified – Uses only 2.86 gallons of water per load – Exceeds ENERGY STAR Requirements by 26% for Energy and 103% for Water – EcoSense® Reduces Energy Usage up to 20% – Half-load Option for Small Loads 	<ul style="list-style-type: none"> – 259 kWh/yr–ENERGY STAR® Qualified – Uses only 2.86 gallons of water per load – Exceeds ENERGY STAR Requirements by 26% for Energy and 103% for Water – EcoAction® Option–Bosch Exclusive – EcoSense® Reduces Energy Usage up to 20% – Half-load Option for Small Loads
<ul style="list-style-type: none"> – AquaStop® Leak Protection – Sanitize Option Removes Bacteria & Enhances Drying – NSF-certified–Eliminates 99.9% of Bacteria 	<ul style="list-style-type: none"> – AquaStop® Leak Protection – Sanitize Option Removes Bacteria & Enhances Drying – ChildLock Prevents Unwanted Cycle Changes – NSF-certified–Eliminates 99.9% of Bacteria 	<ul style="list-style-type: none"> – AquaStop® Leak Protection – ChildLock Prevents Unwanted Cycle Changes – NSF-certified–Eliminates 99.9% of Bacteria
<ul style="list-style-type: none"> – 14 Place Setting Capacity – 500 Series Racks with Flexible Silverware Basket – RackMatic® Automatically Adjustable Upper Rack – Extra Tall Item Sprinkler Cleans Items 22" Tall 	<ul style="list-style-type: none"> – 14 Place Setting Capacity – 500 Series Racks with Flexible Silverware Basket – RackMatic® Automatically Adjustable Upper Rack – Extra Tall Item Sprinkler Cleans Items 22" Tall 	<ul style="list-style-type: none"> – 14 Place Setting Capacity – 500 Series Racks with Flexible Silverware Basket – RackMatic® Automatically Adjustable Upper Rack – Extra Tall Item Sprinkler Cleans Items 22" Tall
<ul style="list-style-type: none"> – Multi-Function LED with Remaining Time – 19 Hour Delay Start Timer – Quick Wash–In 30 Minutes or Less 	<ul style="list-style-type: none"> – Multi-Function LED with Remaining Time – 19 Hour Delay Start Timer – Quick Wash–In 30 Minutes or Less 	<ul style="list-style-type: none"> – Multi-Function LED with Remaining Time – 19 Hour Delay Start Timer – Quick Wash–In 30 Minutes or Less
<ul style="list-style-type: none"> – n/a 	<ul style="list-style-type: none"> – n/a 	<ul style="list-style-type: none"> – n/a
<ul style="list-style-type: none"> – SGZ1010UC Supply and Drainage Hose Extension – SGZ1052UC Four-part Accessory Kit – SGZPC001UC Power Cord w/Connectors – SMZ5002UC Anti-Tarnish Silverware Cassette 	<ul style="list-style-type: none"> – SGZ1010UC Supply and Drainage Hose Extension – SGZ1052UC Four-part Accessory Kit – SGZPC001UC Power Cord w/Connectors – SMZ5002UC Anti-Tarnish Silverware Cassette 	<ul style="list-style-type: none"> – SGZ1010UC Supply and Drainage Hose Extension – SGZ1052UC Four-part Accessory Kit – SGZPC001UC Power Cord w/Connectors – SMZ5002UC Anti-Tarnish Silverware Cassette



Evolution® Dishwasher Specifications



	500 Series	500 Series	300 Series
Model Numbers	<ul style="list-style-type: none"> – SHE55C05UC Stainless Steel 	<ul style="list-style-type: none"> – SHE43P15UC Stainless Steel – SHE43P16UC Black – SHE43P12UC White 	<ul style="list-style-type: none"> – SHE43P05UC Stainless Steel – SHE43P06UC Black – SHE43P02UC White
Appearance	<ul style="list-style-type: none"> – Stainless Steel TallTub – Five Wash Cycles and Two Options – Stainless Steel Control Panel 	<ul style="list-style-type: none"> – Stainless Steel TallTub – Four Wash Cycles and Two Options 	<ul style="list-style-type: none"> – Stainless Steel TallTub – Four Wash Cycles and Two Options
Quietness	<ul style="list-style-type: none"> – Virtually Silent: 48 dBA – Solid Base Contains Sound & Prevent Leaks 	<ul style="list-style-type: none"> – Virtually Silent: 50 dBA – Solid Base Contains Sound & Prevent Leaks 	<ul style="list-style-type: none"> – Virtually Silent: 52 dBA – Solid Base Contains Sound & Prevent Leaks
Efficiency	<ul style="list-style-type: none"> – 307 kWh/yr–ENERGY STAR® Qualified – Uses only 2.89 gallons of water per load – Exceeds ENERGY STAR Requirements by 6% for Energy and 101% for Water – EcoSense® Reduces Energy Usage up to 20% – Half-load Option for Small Loads 	<ul style="list-style-type: none"> – 259 kWh/yr–ENERGY STAR® Qualified – Uses only 2.86 gallons of water per load – Exceeds ENERGY STAR Requirements by 26% for Energy and 103% for Water – EcoSense® Reduces Energy Usage up to 20% – Half-load Option for Small Loads 	<ul style="list-style-type: none"> – 259 kWh/yr–ENERGY STAR® Qualified – Uses only 2.86 gallons of water per load – Exceeds ENERGY STAR Requirements by 26% for Energy and 103% for Water – EcoSense® Reduces Energy Usage up to 20% – Half-load Option for Small Loads
Safety	<ul style="list-style-type: none"> – AquaStop® Leak Protection – ChildLock Prevents Unwanted Cycle Changes – NSF-certified–Eliminates 99.9% of Bacteria 	<ul style="list-style-type: none"> – AquaStop® Leak Protection – ChildLock Prevents Unwanted Cycle Changes – NSF-certified–Eliminates 99.9% of Bacteria 	<ul style="list-style-type: none"> – AquaStop® Leak Protection – ChildLock Prevents Unwanted Cycle Changes – NSF-certified–Eliminates 99.9% of Bacteria
Capacity	<ul style="list-style-type: none"> – 14 Place Setting Capacity – 500 Series Racks with Flexible Silverware Basket – RackMatic® Automatically Adjustable Upper Rack 	<ul style="list-style-type: none"> – 14 Place Setting Capacity – 300 Series Racks with Flexible Silverware Basket – Manual Height Adjustment Upper Rack – Extra Tall Item Sprinkler Cleans Items 22" Tall 	<ul style="list-style-type: none"> – 14 Place Setting Capacity – 300 Series/Standard Racks with Standard Silverware Basket – Manual Height Adjustment Upper Rack
Convenience	<ul style="list-style-type: none"> – Multi-Function LED with Remaining Time – 24 Hour Delay Start Timer – Quick Wash–In 30 Minutes or Less 	<ul style="list-style-type: none"> – Multi-Function LED with Remaining Time – 19 Hour Delay Start Timer – Quick Wash–In 30 Minutes or Less 	<ul style="list-style-type: none"> – Multi-Function LED with Remaining Time – 19 Hour Delay Start Timer – Quick Wash–In 30 Minutes or Less
Performance	– n/a	– n/a	– n/a
Accessories	<ul style="list-style-type: none"> – SGZ1010UC Supply and Drainage Hose Extension – SGZ1052 Four-part Accessory Kit – SGZPC001UC Power Cord w/Connectors – SMZ5002UC Anti-Tarnish Silverware Cassette 	<ul style="list-style-type: none"> – SGZ1010UC Supply and Drainage Hose Extension – SGZ1052 Four-part Accessory Kit – SGZPC001UC Power Cord w/Connectors – SMZ5002UC Anti-Tarnish Silverware Cassette 	<ul style="list-style-type: none"> – SGZ1010UC Supply and Drainage Hose Extension – SGZ1052 Four-part Accessory Kit – SGZPC001UC Power Cord w/Connectors – SMZ5002UC Anti-Tarnish Silverware Cassette



Colors



Stainless Steel
(SHE43P15UC
Model Shown)



Black
(SHE43P16UC
Model Shown)



White
(SHE43P12UC
Model Shown)

Ascenta® Series	Ascenta® Series	Ascenta® Series
<ul style="list-style-type: none"> – SHE6AP05UC Stainless Steel – SHE6AP06UC Black – SHE6AP02UC White 	<ul style="list-style-type: none"> – SHE5AL05UC Stainless Steel – SHE5AL06UC Black – SHE5AL02UC White 	<ul style="list-style-type: none"> – SHE4AP05UC Stainless Steel – SHE4AP06UC Black – SHE4AP02UC White
<ul style="list-style-type: none"> – Stainless Steel TallTub w/ PP* – Six Wash Cycles and Two Options 	<ul style="list-style-type: none"> – Stainless Steel TallTub w/ PP* – Six Wash Cycles and Two Options 	<ul style="list-style-type: none"> – Stainless Steel TallTub w/ PP* – Four Wash Cycles and Two Options
<ul style="list-style-type: none"> – Virtually Silent: 50 dBA 	<ul style="list-style-type: none"> – Virtually Silent: 53 dBA 	<ul style="list-style-type: none"> – Virtually Silent: 53 dBA
<ul style="list-style-type: none"> – 300 kWh/yr–ENERGY STAR® Qualified – Uses only 2.38 gallons of water per load – Exceeds ENERGY STAR Requirements by 9% for Energy and 144% for Water – EcoSense® Reduces Energy Usage up to 20% – Half-load Option for Small Loads 	<ul style="list-style-type: none"> – 300 kWh/yr–ENERGY STAR® Qualified – Uses only 2.38 gallons of water per load – Exceeds ENERGY STAR Requirements by 9% for Energy and 144% for Water – EcoSense® Reduces Energy Usage up to 20% – Half-load Option for Small Loads 	<ul style="list-style-type: none"> – 300 kWh/yr–ENERGY STAR® Qualified – Uses only 2.38 gallons of water per load – Exceeds ENERGY STAR Requirements by 9% for Energy and 144% for Water – EcoSense® Reduces Energy Usage up to 20% – Half-load Option for Small Loads
<ul style="list-style-type: none"> – Bosch Exclusive 24/7 Overflow Leak Protection – ChildLock Prevents Unwanted Cycle Changes – NSF-certified–Eliminates 99.9% of Bacteria 	<ul style="list-style-type: none"> – Bosch Exclusive 24/7 Overflow Leak Protection – ChildLock Prevents Unwanted Cycle Changes – NSF-certified–Eliminates 99.9% of Bacteria 	<ul style="list-style-type: none"> – Bosch Exclusive 24/7 Overflow Leak Protection – ChildLock Prevents Unwanted Cycle Changes – NSF-certified–Eliminates 99.9% of Bacteria
<ul style="list-style-type: none"> – 14 Place Setting Capacity – 300 Series Racks with Flexible Silverware Basket – Manual Height Adjustment Upper Rack 	<ul style="list-style-type: none"> – 14 Place Setting Capacity – Standard Series Racks with Standard Silverware Basket 	<ul style="list-style-type: none"> – 14 Place Setting Capacity – Standard Series Racks with Standard Silverware Basket
<ul style="list-style-type: none"> – Multi-Function LED with Remaining Time – 24 Hour Delay Start Timer – Quick Wash–In 30 Minutes or Less 	<ul style="list-style-type: none"> – Three-, Six-, Nine-hour Delay Start Timer – Quick Wash–In 30 Minutes or Less 	<ul style="list-style-type: none"> – Three-, Six-, Nine-hour Delay Start Timer – Quick Wash–In 30 Minutes or Less
<ul style="list-style-type: none"> – n/a 	<ul style="list-style-type: none"> – n/a 	<ul style="list-style-type: none"> – n/a
<ul style="list-style-type: none"> – SGZ1010UC Polypropylene Supply and Drainage Hose Extension – SGZ1052UC Four-part Accessory Kit – SGZPC001UC Power Cord w/Connectors – SMZ5002UC Anti-Tarnish Silverware Cassette 	<ul style="list-style-type: none"> – SGZ1010UC Polypropylene Supply and Drainage Hose Extension – SGZ1052UC Four-part Accessory Kit – SGZPC001UC Power Cord w/Connectors – SMZ5002UC Anti-Tarnish Silverware Cassette 	<ul style="list-style-type: none"> – SGZ1010UC Polypropylene Supply and Drainage Hose Extension – SGZ1052UC Four-part Accessory Kit – SGZPC001UC Power Cord w/Connectors – SMZ5002UC Anti-Tarnish Silverware Cassette

*Polypropylene



Special Application Dishwasher Specifications



Concealed Controls



Visible Controls



	18" Special Application	24" ADA Compliant Special Application
Model Numbers	<ul style="list-style-type: none"> – SRX53C15UC Stainless Steel – SRV53C13UC Custom Panel 	<ul style="list-style-type: none"> – SGE63E05UC Stainless Steel w/ black control panel – SGE63E06UC Black
Appearance	<ul style="list-style-type: none"> – Stainless Steel EuroTub – Five Wash Cycles and One Option – ADA Compliant for Lower Countertop Installation 	<ul style="list-style-type: none"> – Stainless Steel EuroTub – Six Wash Cycles and Five Options – ADA Compliant for Lower Countertop Installation
Quietness	<ul style="list-style-type: none"> – Virtually Silent: 49 dBA – Solid Base Contains Sound & Prevents Leaks 	<ul style="list-style-type: none"> – Virtually Silent: 49 dBA – Solid Base Contains Sound & Prevent Leaks
Efficiency	<ul style="list-style-type: none"> – 306 kWh/yr–ENERGY STAR® Qualified – Uses only 2.89 gallons of water per load – Exceeds ENERGY STAR Requirements by 6% for Energy and 101% for Water – EcoSense® Reduces Energy Usage up to 20% 	<ul style="list-style-type: none"> – 234 kWh/yr–ENERGY STAR® Qualified – Uses only 1.57 gallons of water per load – Exceeds ENERGY STAR Requirements by 42% for Energy and 269% for Water – EcoAction® Option–Bosch Exclusive – EcoSense® Reduces Energy Usage up to 20% – Half-load Option for Small Loads
Safety	<ul style="list-style-type: none"> – AquaStop® Plus Leak Protection 	<ul style="list-style-type: none"> – AquaStop® Plus Four-part 24/7 Leak Protection – Sanitize Option Removes Bacteria & Enhances Drying
Capacity	<ul style="list-style-type: none"> – Nine Place Setting Capacity – Premium Racks with Flexible Silverware Basket – RackMatic® Automatically Adjustable Upper Rack 	<ul style="list-style-type: none"> – 14 Place Setting Capacity – Vario™ Racks for Flexible Loading – RackMatic® Automatically Adjustable Upper Rack – Extra Tall Item Sprinkler Cleans Items 22" Tall
Convenience	<ul style="list-style-type: none"> – Multi-Function LED with Remaining Time – 19 Hour Delay Start Timer – Quick Wash–In 35 Minutes or Less 	<ul style="list-style-type: none"> – Multi-Function LED with Remaining Time – 24 Hour Delay Start Timer – Quick Wash–In 30 Minutes or Less
Performance	<ul style="list-style-type: none"> – n/a 	<ul style="list-style-type: none"> – Water Softener Ensures Perfect Cleaning Results
Accessories	<ul style="list-style-type: none"> – SGZ1010UC Supply and Drainage Hose Extension – SMZ5000 Four-part Accessory Kit – SGZPC001UC Power Cord w/Connectors – SMZ5002 Anti-Tarnish Silverware Cassette 	<ul style="list-style-type: none"> – SGZ1010UC Supply and Drainage Hose Extension – SMZ5000 ADA Four-part Accessory Kit – SMZ5002 ADA Anti-Tarnish Silverware Cassette – SGZ9091UC Dishwasher Water Softener Salt

Colors



Stainless Steel
(SRX53C15UC Model Shown)



Custom Panel
(SRV53C13UC Model Shown)



Stainless Steel w/ Black Control Panel
(SGE63E05UC Model Shown)



Black
(SGE63E06UC Model Shown)

Your Appliance Authority™

 800-571-3355

Dishwasher Accessories

Accessory Description	Accessory Model No.	Dishwasher Model Numbers
Stainless Steel Door with Polished and Round Tubular Stainless Steel Handle	SGZ1005UC	SHV43P1, SHV65P and SHV68P Only
Stainless Steel Door with Flat and Matte Stainless Steel Handle	SGZ1006UC	SHV43P1, SHV65P and SHV68P Only
Flat and Matte Stainless Steel Handle	SGZ1007UC	SHV43P1, SHV65P and SHV68P only
Accessory Hinge Kit for US Counter Height Installation	SGZ3022	SRV53C Only
18" Stainless Steel Door with Flat and Matte Stainless Steel Handle	SRZ2045UC	SRV53C Only
Dishwasher Accessory Kit	SMZ5000	800 Plus and SGE63E Only
Dishwasher Accessory Kit	SGZ1052UC	300, 500, 800 and Ascenta® Only
Anti-Tarnish Silverware Cassette	SMZ5002UC	300, 500, 800 and Ascenta® Only
Anti-Tarnish Silverware Cassette	SMZ5002	800 Plus and SGE63E only
Long Flexible Silverware Basket	SMZ4000UC	300, 500, 800 and Ascenta® only
Dishwasher Supply and Drainage Hose Extension	SGZ1010UC	All Models
Dishwasher Power Cord with Connectors	SGZPC001UC	300, 500, 800 and Ascenta® only
Dishwasher Softener Salt	SGZ9091UC	800 Plus and SGE63E only
500 Series Upper Rack Replacement	SMZ4037UC	300, 500, 800 Purchased Before Aug. 09
500 Series Lower Rack Replacement	SMZ4038UC	300, 500, 800 Purchased Before Aug. 09



Stainless Steel Door

This high-quality stainless steel door provides an attractive and contemporary finish.



Anti-Tarnish Silverware Cassette

This specially designed cassette provides the best wash results and protection for your fine silverware.



Dishwasher Accessory Kit

This all-in-one bundle includes the extra tall item sprinker, vase/bottle holder, three plastic item clips and a small item basket.



SGZ1005UC (Optional door with polished and round handle)



SGZ1006UC (Optional door with flat and matte handle)





Cooking that's so hot, it's cool. Tradition meets innovation throughout the Bosch line-up of cooking appliances. From convection ovens that better circulate heat to cook food more evenly in up to 30% less time, to efficient induction cooktops that offer sleek, precise cooking performance, Bosch brings tasty technology to the kitchen. Add the stylish gas cooktops and the innovative microwaves as well as the ultra-convenient warming drawers and discover how we deliver a variety of deliciously smart ways to cook.

Cooking

Ovens | Microwaves | Warming Drawers | Cooktops | Ranges | Ventilation

Cooking



Wladison
Your Appliance Authority™
800-570-3355

Ovens

Microwaves

Warming Drawers





Ovens

With large capacity, efficient convection capabilities and the fastest preheat settings available, it's no wonder why Bosch ovens are a top choice for European chefs. Now discover for yourself how Bosch innovation, style and efficiency make for a delicious, convenient addition to your kitchen.

Microwaves

For a seamless, stylish display, we have developed a trim kit that allows you to integrate your microwave into any cabinetry. This way, you can extend your appliances' flush, built-in look to your microwave.

Warming Drawers

Convenient. Functional. Stylish. Bosch offers a warming drawer with four settings for prewarming dishes, heating rolls or keeping food hot for late arrivals. Convection warming drawer also available.



Model shown left: HBL5450UC

Model shown below: HMB8050*

Model shown above: HWC800500



*Built-in microwave shown with 30" Stainless Steel Trim Kit (HMT8050). Microwave and trim kit sold separately.

If our ovens made dinner any more convenient, you'd have to tip them 20%.

We developed a taste for innovation. In fact, even if we tried to find a room for compromise, we couldn't. Otherwise, it wouldn't be Bosch. So it wouldn't offer the #1 capacity oven on the market. Genuine European Convection. Or our EcoClean® Self-Clean Cycle. And it certainly wouldn't meet our 100% quality testing before leaving the factory.



OVENS Performance



#1 in capacity

At 4.7 cubic feet, our oven is the largest on the market.

Plus, with 6-way rack adjustability, you can cook for the whole family simultaneously. An expansive viewing window and bright halogen lighting system make monitoring the progress of your meal easier than ever.

Recessed heating element

A recessed top heating element and a fully concealed bottom heating element allow for greater interior capacity, unprecedented safety when removing dishes, and extremely easy cleaning.



Genuine European Convection with ACS

This feature offers a powerful 2,000-watt third heating element that surrounds the convection fan, circulating preheated air throughout the oven. By optimizing heat circulation, our Advanced Circulation System (ACS) allows food to be cooked more evenly in up to 30% less time.



Fastest preheat

With the fastest preheat on the market, Bosch ovens can be ready to cook in about seven minutes. This, combined with the convection mode, allows you to substantially reduce overall cooking time. Also, fast preheat is available for up to seven cooking modes.



Meat probe

A standard convenience in many Bosch ovens, this built-in temperature gauge is perfect for keeping tabs on large roasts and poultry dishes. When your dish reaches the preset internal temperature, the oven beeps and turns itself off – giving you optimal temperature control and a better tasting, more nutritious dish.

Efficiency



EcoClean® self-clean cycle

Our built-in ovens' 2-hour self-clean cycle, the industry's best, delivers improved energy efficiency by running for the shortest period of time possible and makes the kitchen a safer place. Plus, it allows you to use your time in the kitchen for cooking rather than cleaning.

Quality



Telescopic racks

This full-extension rack glides easily on ball bearings and extends over the open oven door for easy access, allowing you to baste large cuts of meat and poultry safely without reaching into the oven. It comes standard on select models and is also available as a separate accessory.

High-quality rack supports

Bosch's heavy-duty rack supports can hold even the heaviest dishes while allowing racks to glide more smoothly than traditional ribbed oven cavities. They make it easy to change racks or mount telescopic racks while bringing a modern, sleek look to the kitchen.



ClearTouch® glass touch controls

Bosch ovens offer smooth glass touch controls that are as easy to use as they are beautiful. And with up to 14 heating modes, the perfect program is available at your fingertips, no matter what dish you want to cook.

Good Housekeeping Seal

All Bosch ovens are backed by the Good Housekeeping Seal—a two-year limited warranty.

MICROWAVES



Convection

Bosch convection microwaves offer you faster and more even cooking results than traditional microwaves, and also offer the advantage of having a second convection oven available.



Multiple recipes

Our microwaves offer multiple recipe settings to make cooking easier for you, allowing you to spend more time with your family than preparing dinner.

WARMING DRAWERS



Convenient. Functional. Stylish. Bosch offers a

warming drawer with four settings for prewarming dishes, heating rolls or keeping food hot for late arrivals. With optional convection warming drawer.



Oven Specifications



Combination



Combination



Double

	800 Series	500 Series	800 Series
Model Numbers	– HBL8750UC 30" Stainless Steel	– HBL5750UC 30" Stainless Steel – HBL5760UC 30" Black – HBL5720UC 30" White	– HBL8650UC 30" Stainless Steel
	     	     	     
Appearance	<ul style="list-style-type: none"> – Contemporary Stainless Steel Design – ClearTouch® Glass Control – Flush-to-Cabinet Design – 2-in-1 Design—Oven and Convection Microwave 	<ul style="list-style-type: none"> – Contemporary Stainless Steel Design – ClearTouch® Glass Control – Retractable Controls for Sleek and Easy-to-Clean Design – Flush-to-Cabinet Design – 2-in-1 Design –Oven and Traditional Microwave 	<ul style="list-style-type: none"> – Contemporary Stainless Steel Design – ClearTouch® Glass Control – Flush-to-Cabinet Design
Capacity	<ul style="list-style-type: none"> – #1 in Capacity at 4.7 cu. ft. – Recessed Broil Element for Increased Capacity and Safety – Hidden Bake Element for Increased Capacity 	<ul style="list-style-type: none"> – #1 in Capacity at 4.7 cu. ft. – Recessed Broil Element for Increased Capacity and Safety – Hidden Bake Element for Increased Capacity 	<ul style="list-style-type: none"> – #1 in Capacity at 4.7 cu. ft. – Double Oven for More Capacity and Cooking Flexibility – Recessed Broil Element for Increased Capacity and Safety – Hidden Bake Element for Increased Capacity
Convenience	<ul style="list-style-type: none"> – Amber-Colored Full Text Display – Timer with Cook Time and Delay Start Function – Extra-Large Door Window for Easy Monitoring of Cooking – Full-extension Telescopic Rack for Convenient Handling – High-Quality, Self-cleaning Rack Supports – Halogen Lights Provide Superior Cavity Illumination – Sabbath Mode 	<ul style="list-style-type: none"> – Amber-Colored Full Text Display – Timer with Cook Time and Delay Start Function – Extra-Large Door Window for Easy Monitoring of Cooking – High-Quality, Self-cleaning Rack Supports – Two Oven Lights to Better Monitor Cooking Progress – Sabbath Mode 	<ul style="list-style-type: none"> – Amber-Colored Full Text Display – Timer with Cook Time and Delay Start Function – Extra-Large Door Window for Easy Monitoring of Cooking – Full-extension Telescopic Rack for Convenient Handling – High-Quality, Self-cleaning Rack Supports – Halogen Lights Provide Superior Cavity Illumination – Sabbath Mode
Performance	<ul style="list-style-type: none"> – Genuine European Convection with ACS – Speed Convection Saves up to 30% Time – Fast Preheat Reduces Preheat Time to Around Seven Minutes – 14 Specialized Cooking Modes – Custom Cooking Modes: Pizza, Pie, Warm and Proof – Meat Probe Takes Guesswork Out of Cooking – Automatic Temperature Conversion for Convection Cooking – Recipe Mode Provides 30 Pre-Programmed Auto Settings 	<ul style="list-style-type: none"> – Genuine European Convection with ACS – Speed Convection Saves up to 30% Time – Fast Preheat Reduces Preheat Time to Around Seven Minutes – 14 Specialized Cooking Modes – Custom Cooking Modes: Pizza, Pie, Warm and Proof – Meat Probe Takes Guesswork Out of Cooking – Recipe Mode Provides 30 Pre-Programmed Auto Settings 	<ul style="list-style-type: none"> – Genuine European Convection with ACS – Speed Convection Saves up to 30% Time – Fast Preheat Reduces Preheat Time to Around Seven Minutes – 14 Specialized Cooking Modes – Custom Cooking Modes: Pizza, Pie, Warm and Proof – Meat Probe Takes Guesswork Out of Cooking – Automatic Temperature Conversion for Convection Cooking – Recipe Mode Provides 30 Pre-Programmed Auto Settings
Efficiency	– EcoClean® Two-hour Self-Clean Cycle See HMB8050 for Microwave feature	– EcoClean® Two-hour Self-Clean Cycle See HMB5050 for Microwave feature	– EcoClean® Two-hour Self-Clean Cycle
Accessories	– HEZ1070 30" Ball Bearing Telescopic Rack	– HEZ1070 30" Ball Bearing Telescopic Rack	– HEZ1070 30" Ball Bearing Telescopic Rack

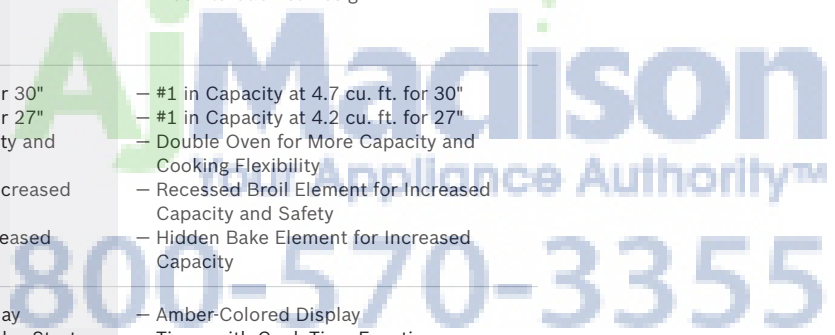


Double



Double

500 Series		300 Series	
<ul style="list-style-type: none"> - HBL5650UC 30" Stainless Steel - HBL5660UC 30" Black - HBL5620UC 30" White - HBN5650UC 27" Stainless Steel 		<ul style="list-style-type: none"> - HBL3550UC 30" Stainless Steel - HBL3560UC 30" Black - HBN3550UC 27" Stainless Steel 	
<ul style="list-style-type: none"> - Contemporary Stainless Steel Design - ClearTouch® Glass Control - Retractable Controls for Sleek and Easy-to-Clean Design - Flush-to-Cabinet Design 		<ul style="list-style-type: none"> - Contemporary Stainless Steel Design - ClearTouch® Glass Control - Dial Controls -Direct Access to Cooking Modes - Flush-to-Cabinet Design 	
<ul style="list-style-type: none"> - #1 in Capacity at 4.7 cu. ft. for 30" - #1 in Capacity at 4.2 cu. ft. for 27" - Double Oven for More Capacity and Cooking Flexibility - Recessed Broil Element for Increased Capacity and Safety - Hidden Bake Element for Increased Capacity 		<ul style="list-style-type: none"> - #1 in Capacity at 4.7 cu. ft. for 30" - #1 in Capacity at 4.2 cu. ft. for 27" - Double Oven for More Capacity and Cooking Flexibility - Recessed Broil Element for Increased Capacity and Safety - Hidden Bake Element for Increased Capacity 	
<ul style="list-style-type: none"> - Amber-Colored Full Text Display - Timer with Cook Time and Delay Start Function - Extra-Large Door Window for Easy Monitoring of Cooking - High-Quality, Self-cleaning Rack Supports - Two Oven Lights to Better Monitor Cooking Progress - Sabbath Mode 		<ul style="list-style-type: none"> - Amber-Colored Display - Timer with Cook Time Function - Preheat Monitor Shows Progress of Preheat Cycle - Extra-Large Door Window for Easy Monitoring of Cooking - High-Quality, Self-cleaning Rack Supports 	
<ul style="list-style-type: none"> - Genuine European Convection With ACS - Speed Convection Saves up to 30% Time - Fast Preheat Reduces Preheat Time to around Seven Minutes - 14 Specialized Cooking Modes - Thermal Cooking with Bake, Broil and Roast in Lower Oven - Custom Cooking Modes: Pizza, Pie, Warm and Proof - Meat Probe Takes Guesswork out of Cooking - Recipe Mode Provides 30 Pre-Programmed Auto Settings 		<ul style="list-style-type: none"> - 10 Cooking Modes for Convenient Everyday Cooking - Thermal Cooking with Bake, Broil and Roast in Lower Oven 	
<ul style="list-style-type: none"> - EcoClean® Two-hour Self-Clean Cycle 		<ul style="list-style-type: none"> - EcoClean® Two-hour Self-Clean Cycle 	
<ul style="list-style-type: none"> - HEZ1070 30" Ball Bearing Telescopic Rack - HEZ1077 27" Ball Bearing Telescopic Rack 		<ul style="list-style-type: none"> - HEZ1070 30" Ball Bearing Telescopic Rack - HEZ1077 27" Ball Bearing Telescopic Rack 	



Oven Specifications















Single



Single



Single

	800 Series	500 Series	300 Series
Model Numbers	– HBL8450UC 30" Stainless Steel	– HBL5450UC 30" Stainless Steel – HBL5460UC 30" Black – HBL5420UC 30" White – HBN5450UC 27" Stainless Steel	– HBL3450UC 30" Stainless Steel – HBL3460UC 30" Black – HBN3450UC 27" Stainless Steel
	     	     	  
Appearance	<ul style="list-style-type: none"> – Contemporary Stainless Steel Design – ClearTouch® Glass Control – Flush-to-Cabinet Design 	<ul style="list-style-type: none"> – Contemporary Stainless Steel Design – ClearTouch® Glass Control – Retractable Controls for Sleek and Easy-to-Clean Design – Flush-to-Cabinet Design 	<ul style="list-style-type: none"> – Contemporary Stainless Steel Design – ClearTouch® Glass Control – Dial Controls –Direct Access to Cooking Modes – Flush-to-Cabinet Design
Capacity	<ul style="list-style-type: none"> – #1 in Capacity at 4.7 cu. ft. – Recessed Broil Element for Increased Capacity and Safety – Hidden Bake Element for Increased Capacity 	<ul style="list-style-type: none"> – #1 in Capacity at 4.7 cu. ft. for 30" – #1 in Capacity at 4.2 cu. ft. for 27" – Recessed Broil Element for Increased Capacity and Safety – Hidden Bake Element for Increased Capacity 	<ul style="list-style-type: none"> – #1 in Capacity at 4.7 cu. ft. – Recessed Broil Element for Increased Capacity and Safety – Hidden Bake Element for Increased Capacity
Convenience	<ul style="list-style-type: none"> – Amber-Colored Full Text Display – Timer with Cook Time and Delay Start Function – Extra-Large Door Window for Easy Monitoring of Cooking – Full-extension Telescopic Rack for Convenient Handling – High-Quality, Self-cleaning Rack Supports – Halogen Lights Provide Superior Cavity Illumination – Sabbath Mode 	<ul style="list-style-type: none"> – Amber-Colored Full Text Display – Timer with Cook Time and Delay Start Function – Extra-Large Door Window for Easy Monitoring of Cooking – High-Quality, Self-cleaning Rack Supports – Two Oven Lights to Better Monitor Cooking Progress – Sabbath Mode 	<ul style="list-style-type: none"> – Amber-Colored Display – Timer with Cook Time Function – Preheat Monitor Shows Progress of Preheat Cycle – Extra-Large Door Window for Easy Monitoring of Cooking – High-Quality, Self-cleaning Rack Supports
Performance	<ul style="list-style-type: none"> – Genuine European Convection with ACS – Speed Convection Saves up to 30% Time – Fast Preheat Reduces Preheat Time to around Seven Minutes – 14 Specialized Cooking Modes – Custom Cooking Modes: Pizza, Pie, Warm and Proof – Meat Probe Takes Guesswork out of Cooking – Automatic Temperature Conversion for Convection Cooking – Recipe Mode Provides 30 Pre-Programmed Auto Settings 	<ul style="list-style-type: none"> – Genuine European Convection with ACS – Speed Convection Saves up to 30% Time – Fast Preheat Reduces Preheat Time to around Seven Minutes – 14 Specialized Cooking Modes – Custom Cooking Modes: Pizza, Pie, Warm and Proof – Meat Probe Takes Guesswork out of Cooking – Recipe Mode Provides 30 Pre-Programmed Auto Settings 	<ul style="list-style-type: none"> – Convection Cooking with Bake, Broil and Roast. – 10 Cooking Modes for Convenient Everyday Cooking
Efficiency	– EcoClean® Two-hour Self-Clean Cycle	– EcoClean® Two-hour Self-Clean Cycle	– EcoClean® Two-hour Self-Clean Cycle
Accessories	– HEZ1070 30" Ball Bearing Telescopic Rack	– HEZ1070 30" Ball Bearing Telescopic Rack – HEZ1077 27" Ball Bearing Telescopic Rack	– HEZ1070 30" Ball Bearing Telescopic Rack – HEZ1077 27" Ball Bearing Telescopic Rack



Single

Colors






Stainless Steel
(HBL5750UC Model Shown)



Black
(HBL5760UC Model Shown)



White
(HBL5720UC Model Shown)

300 Series	
<ul style="list-style-type: none"> - HBL3350UC 30" Stainless Steel - HBL3360UC 30" Black 	
  	
<ul style="list-style-type: none"> - Contemporary Stainless Steel Design - ClearTouch® Glass Control - Dial Controls -Direct Access to Cooking Modes - Flush-to-Cabinet Design 	
<ul style="list-style-type: none"> - #1 in Capacity at 4.7 cu. ft. - Recessed Broil Element for Increased Capacity and Safety - Hidden Bake Element for Increased Capacity 	
<ul style="list-style-type: none"> - Amber-Colored Display - Timer with Cook Time Function - Preheat Monitor Shows Progress of Preheat Cycle - Extra-Large Door Window for Easy Monitoring of Cooking - High-Quality, Self-cleaning Rack Supports 	
<ul style="list-style-type: none"> - Thermal Cooking with Bake, Broil and Roast 	
<ul style="list-style-type: none"> - EcoClean® Two-hour Self-Clean Cycle 	
<ul style="list-style-type: none"> - HEZ1070 30" Ball Bearing Telescopic Rack 	



Aj Madison

 Your Appliance Authority™

 800-570-3355



Microwave Specifications



Built-In*



Built-In*



Over-the-Range

	800 Series	500 Series	800 Series
	<ul style="list-style-type: none"> – HMB8050 Stainless Steel – HMB8060 Black – HMB8020 White 	<ul style="list-style-type: none"> – HMB5050 Stainless Steel – HMB5060 Black – HMB5020 White 	<ul style="list-style-type: none"> – HMV8051U Stainless Steel
Appearance	<ul style="list-style-type: none"> – Built-in Convection Microwave Design– Matched for Use in Combination with Bosch Wall Oven – Contemporary Stainless Steel Design – Flush-to-Cabinet Design – ClearTouch® Glass Control – Available with 27" or 30" Trim Kit for Built-in Installation 	<ul style="list-style-type: none"> – Built-in Microwave Design– Matched for Use in Combination with Bosch Wall Oven – Contemporary Stainless Steel Design – Flush-to-Cabinet Design – ClearTouch® Glass Control – Available with 27" or 30" Trim Kit for Built-in Installation 	<ul style="list-style-type: none"> – OTR Microwave Design– Matched for Use in Combination with Bosch Range or Cooktop – Exclusive Stainless Steel Handle – Stainless Steel Vent Grid – Easy to Read LCD Display
Capacity	<ul style="list-style-type: none"> – 1.5 cu. ft. Stainless Steel Cavity – 15" Recessed Ceramic Turntable 	<ul style="list-style-type: none"> – 2.1 cu. ft. Large Cavity – 16 ½" Recessed Glass Turntable 	<ul style="list-style-type: none"> – 1.5 cu. ft. Large Oven Cavity – 13½" Glass Turntable
Convenience	<ul style="list-style-type: none"> – Amber-Colored LCD Display – Automatic Convection Bake for Cake and Pie – Keep Warm Program – Quick Min. Conveniently Adds Cooking Time with One Touch – Convenient Automatic Sensor Programs Simplify Cooking for Great Results – Smart Sensor Reheat Program Automatically Sets Cooking Power and Time Based on Serving Size – Timer with Cook Time and Delay Start Function 	<ul style="list-style-type: none"> – Amber-Colored LCD Display – Keep Warm Program – Quick Min. Conveniently Adds Cooking Time with One Touch – Convenient Automatic Sensor Programs Simplify Cooking for Great Results – Smart Sensor Reheat Program Automatically Sets Cooking Power and Time Based on Serving Size – Timer with Cook Time and Delay Start Function 	<ul style="list-style-type: none"> – Easy-to-use Touch Control – Side-hinged Door Allows Full Access to Microwave Cavity – Recirculation or Outside Venting Options – Reheat Setting Automatically determines Power Level and Cooking Time – Potato Program – Automatic Defrost Automatically determines Power Level and Cooking Time – Popcorn Program–Get Fully "Popped" Popcorn Simply by Entering the Bag Size – Timer with Cook Time and Automatic Shut Off Function – Convenient Kitchen Timer – Easily Adds 30 seconds to Cooking Time – Quick Setting for 1, 2, 3, 4, 5 or 6 Minute Cooking at 100% Power – Two-level Microwave Cooking – Easy-clean Closed Stainless Steel Air Vent – Eight Sensor Programs
Performance	<ul style="list-style-type: none"> – Genuine European Convection with ACS – Convection Bake for Even Baking of Smaller Items – Quick Defrost–Defrosts Foods such as Meat, Poultry and Seafood – Innovative Microwave Inverter Technology –More Even Cooking From Center to Crust – 1,000 Watt Microwave Power – Popcorn Program–Get Fully "Popped" Popcorn Simply by Entering the Bag Size – 10 Microwave Power Levels 	<ul style="list-style-type: none"> – Beverages–Reheats One or Two Cups of Room Temperature Beverages Without Setting Power and Time – Quick Defrost–Defrosts Foods Such as Meat – Innovative Microwave Inverter Technology –More Even Cooking From Center to Crust – 1,200 Watt Microwave Power – Popcorn Program–Get Fully "Popped" Popcorn Simply by Entering the Bag Size – 10 Microwave Power Levels 	<ul style="list-style-type: none"> – 900 Watt Microwave Power – 10 Microwave Power Levels – Two-speed Vent with up to 300 CFM – Two 30 Watt Lights for Bright Cooktop Illumination – Convection Cooking
Accessories	<ul style="list-style-type: none"> – HMT8750 27" Built-In Trim Kit SS – HMT8050 30" Built-In Trim Kit SS – HMT8060 30" Built-In Trim Kit Black – HMT8020 30" Built-In Trim Kit White 	<ul style="list-style-type: none"> – HMT8750 27" Built-In Trim Kit SS – HMT8050 30" Built-In Trim Kit SS – HMT8060 30" Built-In Trim Kit Black – HMT8020 30" Built-In Trim Kit White 	– n/a

*Built-in microwave shown with trim kit. Microwave and trim kit sold separately.



Over-the-Range



Over-the-Range

Colors



Stainless Steel
(HMB5050 Model Shown*)



Black
(HMB5060 Model Shown*)



White
(HMB5020 Model Shown*)

500 Series	300 Series
<ul style="list-style-type: none"> – HMV5051U Stainless Steel 	<ul style="list-style-type: none"> – HMV3051U Stainless Steel – HMV3061U Black – HMV3021U White
 	 
<ul style="list-style-type: none"> – OTR Microwave Design—Matched for Use in Combination with Bosch Range or Cooktop – Exclusive Stainless Steel Handle – Stainless Steel Vent Grid – Easy to Read LCD Display 	<ul style="list-style-type: none"> – OTR Microwave Design—Matched for Use in Combination with Bosch Range or Cooktop – Exclusive Stainless Steel Handle – Stainless Steel Colored Vent Grid – Easy to Read LCD Display
<ul style="list-style-type: none"> – 1.7 cu. ft. Large Oven Capacity – Large 13 ½" Glass Turntable 	<ul style="list-style-type: none"> – 1.6 cu. ft. Large Cavity – Large 13 ½" Glass Turntable
<ul style="list-style-type: none"> – Easy-to-use Touch Control – Side-hinged Door Allows Full Access to Microwave Cavity – Recirculation or Outside Venting Options – Reheat Setting Automatically determines Power Level and Cooking Time – Potato Program – Automatic Defrost Automatically determines Power Level and Cooking Time – Popcorn Program—Get Fully "Popped" Popcorn Simply by Entering the Bag Size – Timer with Cook Time and Automatic Shut Off Function – Convenient Kitchen Timer – Easily Adds 30 seconds to Cooking Time – Quick Setting for 1, 2, 3, 4, 5 or 6 Minute Cooking at 100% Power – Two-level Microwave Cooking – Easy-clean Closed Stainless Steel Air Vent – Eight Sensor Programs 	<ul style="list-style-type: none"> – Easy-to-use Touch Control – Side-hinged Door Allows Full Access to Microwave Cavity – Recirculation or Outside Venting Options – Reheat Setting Automatically determines Power Level and Cooking Time – Potato Program – Automatic Defrost Automatically determines Power Level and Cooking Time – Popcorn Program—Get Fully "Popped" Popcorn Simply by Entering the Bag Size – Timer with Cook Time and Automatic Shut Off Function – Convenient Kitchen Timer – Easily Adds 30 seconds to Cooking Time – Quick Setting for 1, 2, or 3 Minute Cooking at 100% Power
<ul style="list-style-type: none"> – 1,000 Watt Microwave Power – 10 Microwave Power Levels – Two-speed Vent with up to 300 CFM – Two 30 Watt Lights for Bright Cooktop Illumination 	<ul style="list-style-type: none"> – 1,000 Watt Microwave Power – 10 Microwave Power Levels – Two-speed Vent with up to 300 CFM – Two 30 Watt Lights for Bright Cooktop Illumination
– n/a	– n/a

Aimadison
 Appliance Authority
 800-570-3355



Warming Drawer Specifications




30"



30"



27"

	800 Series	500 Series	500 Series
Model Numbers	– HWC800500 Stainless Steel	– HWD3050UC Stainless Steel – HWD3060UC Black – HWD3020UC White	– HWD2750UC Stainless Steel
	 	 	 
Appearance	<ul style="list-style-type: none"> – Built-in Convection Warming Drawer Design-matched for Use in Combination with Bosch Wall Oven – Flush-to-Cabinet Design – ClearTouch® Glass Control 	<ul style="list-style-type: none"> – Built-in Warming Drawer Design-matched for Use in Combination with Bosch Wall Oven – Flush-to-Cabinet Design – ClearTouch® Glass Control 	<ul style="list-style-type: none"> – Built-in Warming Drawer Design-matched for Use in Combination with Bosch Wall Oven – Flush-to-Cabinet Design – ClearTouch® Glass Control
Capacity	<ul style="list-style-type: none"> – 1.9 cu. ft. Large Cavity – Lower Side Walls Allow Easy Loading and Unloading of Drawer 	<ul style="list-style-type: none"> – 2.0 cu. ft. Large Cavity – Lower Side Walls Allow Easy Loading and Unloading of Drawer 	<ul style="list-style-type: none"> – 1.8 cu. ft. Large Cavity – Lower Side Walls Allow Easy Loading and Unloading of Drawer
Convenience	<ul style="list-style-type: none"> – Amber-Colored Display – Sturdy Ball Bearing Telescopic Rails for Smooth Opening – Hot Surface Indicator Light – Easy-to-Clean Glass Ceramic Interior – Automatic Shut-Off Function with Adjustable Timer 	<ul style="list-style-type: none"> – Amber-Colored Display – Sturdy Ball Bearing Telescopic Rails for Smooth Opening – Moisture Selector to Adjust Humidity Level Inside the Drawer (e.g. "Moist" to Keep a Roast Warm) – Sabbath Mode – Automatic Shut-Off Function with Adjustable Timer 	<ul style="list-style-type: none"> – Amber-Colored Display – Sturdy Ball Bearing Telescopic Rails for Smooth Opening – Moisture Selector to Adjust Humidity Level Inside the Drawer (e.g. "Moist" to Keep a Roast Warm) – Sabbath Mode – Automatic Shut-Off Function with Adjustable Timer
Performance	<ul style="list-style-type: none"> – Plate Warming Mode Uses Convection for More Even Warming of Large Stack of Plates – Durable, High-Quality Glass Ceramic Heating Surface – Faster and More Even Heat Distribution with 600 Watt Glass Ceramic Heating Surface – Three Temperature Levels 	<ul style="list-style-type: none"> – 450 Watt Heating Element Concealed Below Drawer – Three Temperature Levels – Special Dough Proofing Mode 	<ul style="list-style-type: none"> – 450 Watt Heating Element Concealed Below Drawer – Three Temperature Levels – Special Dough Proofing Mode

Colors



Stainless Steel
(HWD3050UC Model Shown)



Black
(HWD3060UC Model Shown)



White
(HWD3020UC Model Shown)

AjMadison
Your Appliance Authority™
800-570-3355



Cooktops

Induction | Gas | Electric



AjMadison
Your Appliance Authority™
800-570-3355



Induction Cooktops

Induction cooktops are a revolutionary way of cooking that use the power of electromagnetic waves to quickly and efficiently turn the bottom of a pot into an active heating surface, rather than the cooktop. Induction cooktops use 60% less energy than cooking with gas and heat food over two times faster than electric cooktops.

Gas Cooktops

To create a variety of dishes, you need a versatile cooktop. High-BTU-output burners deliver a range of flame settings, while a separate, low-output burner provides gentle simmering. The large dials are easy to adjust to get the perfect flame. Multiple-size burners accommodate all cooking styles. And the burners' sealed, recessed design contains spills and makes cleanup easy.

Electric Cooktops

From the simple elegance of the ceramic-glass cooking surface to the exciting performance features, Bosch electric cooktops are the very image of understated sophistication for the kitchen. Whether you choose the refined touch-control models or the familiarity of our rotary-dial units, you'll find a model that suits your design aesthetic and cooking style.

Model shown left: NIT8665UC

Model shown above: NGM8054UC

Model shown below: NET8654UC



Three brilliant ways to cook. One superior way to engineer them.

With gas, electric and induction cooktops, your Bosch kitchen design options have become limitless while the performance remains legendary. Gas provides perfect flame control, from 18,000 BTUs to soft simmering. Electric cooktops offer sleek, contemporary Touch Controls. And our induction cooktops heat food over 50% faster than electric and use 60% less energy than gas.



INDUCTION COOKTOPS

Quality



PreciseSelect™

Easily change the heat level of the cooktop by selecting any of the 17 different levels. Get the beauty of touch controls with the ease of knobs.



SteelTouch™ controls

The controls—incredibly responsive and seamless with the sharp stainless steel design—make 17 different heat levels all accessible at the touch of a finger.



AutoChef®

A Bosch exclusive: Maintains exact frying temperature for perfect results and convenient, healthy, nutritional cooking. Nine cooking programs and four temperature settings are available for your convenience.



CountDown™ timer

The days of working over a hot stove are long gone, thanks to this ingenious function that allows you to pre-set a cooking time for each individual heating element. Now you can multi-task in the kitchen, and the cooktop will automatically shut off the individual cooking elements when their programmed time has expired.



Safety

ChildLock

Bosch induction cooktops take safety up a notch. The ChildLock function prevents the cooktop from being accidentally switched on.

Anti-overflow system

Sensors in the glass can detect large spills or excessive overflow, automatically shut off the cooktop, and sound an alarm to alert you of the situation.

Automatic shut-off system

Safety comes first. So Bosch induction cooktops are designed to automatically switch off when the unit exceeds a maximum temperature limit.



Heat indicator

A light on the cooktop warns if surface is hot due to any residual heat from cooking vessel.

Safe Start

This safety feature accurately distinguishes between pots or pans and smaller items like utensils that may accidentally be left on the cooktop, and ensures that each cooking element will only heat up if a pot is detected on the cooking surface.



Clean Lock

Clean Lock prevents unwanted changes to settings while you clean spills.

Performance



Class-leading 11" element

Conducting up to 4,400 watts of power, the 11" element on the 36" cooktop is the most powerful in its price class.



SpeedBoost®

For time savings as well as energy savings, the SpeedBoost function can heat water twice as fast as a conventional ceramic cooktop.

Efficiency

PotSense™

Bosch induction cooktops detect if a pot is placed on a cooking element and automatically adjusts the cooking field to the size of the pot bottom. This makes your kitchen cooler, more energy-efficient, and safer.

Madison
 Your Appliance Authority™
 800-570-3355

GAS COOKTOPS

Performance



Continuous grates

These are the same types of grates found in professional kitchens, letting you slide and move pots off of an active burner or rearrange them without fear of tipping or spilling. They also give the cooktop a high-grade, quality appearance that really makes an impression.



PowerSim® burner

This feature, available on our largest burner, uses a diffuser cap to output a large flame of up to 18,000 BTU for quick heating, and can gently simmer like a small burner.



OptiSim® burner

This Bosch burner heats at a low 400 BTU to delicately simmer even the most sensitive sauces or melt chocolate by evenly spreading the flame across the bottom of the pot to help prevent scorching.

Safety



Automatic reignition

The automatic reignition will spontaneously generate a spark and reignite the burner if the flame should go out from a draft.

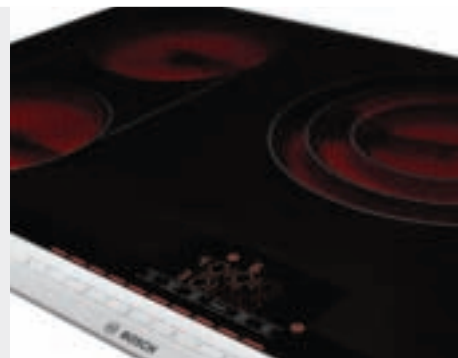
30" five-burner gas cooktop

The industry-leading 30" five-burner provides high performance and versatility in a 30" space.



AjMadison
Your Appliance Authority
800-570-3355

ELECTRIC COOKTOPS



Quality

**AutoChef®**

A Bosch exclusive: maintains exact frying temperature for perfect results and convenient, healthy, nutritional cooking. Nine cooking programs and four temperature settings are available for your convenience.

**SteelTouch™ controls**

The controls—incredibly responsive and seamless with the sharp stainless steel design—make 17 different heat levels all accessible at the touch of a finger.

**PreciseSelect™**

Easily change the heat level of the cooktop by selecting any of the 17 different levels. Get the beauty of touch controls with the ease of knobs.

**Glass touch control**

This touch-sensitive control panel uses the most advanced technology on the market. It has a digital readout of the chosen power setting and residual heat indicator to prevent accidental injury.

**CountDown™ timer**

The days of working over a hot stove are long gone, thanks to this ingenious function that allows you to pre-set a cooking time for

each individual heating element. Now you can multi-task in the kitchen, and the cooktop will automatically shut off the individual cooking elements when their programmed time has expired.

Safety

ChildLock

Bosch electric cooktops take safety up a notch. The ChildLock function prevents the cooktop from being accidentally switched on.

Automatic shut-off system

Safety comes first. So Bosch electric cooktops are designed to automatically switch off when the unit exceeds a maximum temperature limit.

**Clean Lock**

Clean Lock prevents unwanted changes to settings while you clean spillovers.

**Heat indicator**

A light on the cooktop warns if surface is hot due to any residual heat from cooking vessel.

Performance

Keep Warm function

When this function is selected, it enables you to reduce the cooking power to as little as 3% of normal—much greater temperature control than conventional cooktops offer you. This brings the heat to a perfect level to keep meals warm, or to simmer soups.

**Dual-element burners**

Burners provide solutions to multiple cookware sizes. They are designed to use the cooking space more efficiently than single elements.

PowerStart®

This feature temporarily increases and holds the temperature at the most powerful setting. Then it gradually declines to your preset level. This reduces cooking time and offers the convenience of one-button operation.

**Triple-element burners**

The burners are available in 6"/8"/12" configurations, and are designed to efficiently accommodate a wide variety of cookware without wasting energy unnecessarily.

**Bridge element**

Connects two burners, creating an elongated cooking surface for larger, oval-shaped pans.

Induction Cooktop Specifications








36"



30"



36"

	800 Series	800 Series	500 Series
Model Numbers	– NIT8665UC Black w/Stainless Steel Trim	– NIT8065UC Black w/Stainless Steel Trim	– NIT5665UC Black w/Stainless Steel Trim
	    	    	    
Appearance	<ul style="list-style-type: none"> – SteelTouch™ with PreciseSelect™—A Bosch Exclusive – High-end Front and Back Stainless Steel Strip for a Premium Look 	<ul style="list-style-type: none"> – SteelTouch™ with PreciseSelect™—A Bosch Exclusive – High-end Front and Back Stainless Steel Strip for a Premium Look 	<ul style="list-style-type: none"> – Sleek Touch Control Panel Offers a Choice of 17 Settings for Unprecedented Temperature Control with PreciseSelect™ – Front and Back Stainless Steel Strip for a Premium Look
Convenience	<ul style="list-style-type: none"> – AutoChef® Sensor—A Bosch Exclusive Maintains Exact Temperature for Perfect Results and Convenience – Bosch Recommended Pan Included—Excellent Heating Performance and Superior Cleanability, Dishwasher Safe, Works with Electric and Induction Cooktops – PreciseSelect™—Direct Cooking Level Selection (17 Settings) – Countdown™ Timer—Built-in Timers for Each Element, Doubles as General-Purpose Kitchen Timer – Clean Lock—Prevents Unwanted Changing of Settings while Cleaning Spill-overs 	<ul style="list-style-type: none"> – AutoChef® Sensor—A Bosch Exclusive Maintains Exact Temperature for Perfect Results and Convenience – Bosch Recommended Pan Included—Excellent Heating Performance and Superior Cleanability, Dishwasher Safe, Works with Electric and Induction Cooktops – PreciseSelect™—Direct Cooking Level Selection (17 Settings) – Countdown™ Timer—Built-in Timers for Each Element, Doubles as General-Purpose Kitchen Timer – Clean Lock—Prevents Unwanted Changing of Settings while Cleaning Spill-overs 	<ul style="list-style-type: none"> – Countdown™ Timer—Built-in Timers for Each Element, Doubles as General-Purpose Kitchen Timer – Clean Lock—Prevents Unwanted Changing of Settings while Cleaning Spill-overs – PreciseSelect™—Direct Cooking Level Selection (17 Settings)
Performance	<ul style="list-style-type: none"> – Dual 11" Heating Elements with Powerful 4,400 Watts—Most Powerful Induction Element in its Class. – SpeedBoost®—This Fast-heat Mode Boils Water Twice as Fast as Conventional Electric Cooktops 	<ul style="list-style-type: none"> – 11" Heating Element with Powerful 3,600 Watts – SpeedBoost®—This Fast-heat Mode Boils Water Twice as Fast as Conventional Electric Cooktops 	<ul style="list-style-type: none"> – Dual 11" Heating Elements with Powerful 4,400 Watts—Most Powerful Induction Element in its Class – SpeedBoost®—This Fast-heat Mode Boils Water Twice as Fast as Conventional Electric Cooktops
Safety	<ul style="list-style-type: none"> – Overflow Detection—Sounds Alarm and Shuts off Cooktop in Case of an Overflow – ChildLock—Prevents the Cooktop from Being Accidentally Switched On, Locks Temperature Settings if in Use – Safe Start—Ensures that Element Only is Activated; Others Remain Off – Anti-Overheat System—Shuts Off Cooktop – Two-level Heat Indicator—Warns if Cooktop is Warm or Hot 	<ul style="list-style-type: none"> – Overflow Detection—Sounds Alarm and Shuts off Cooktop in Case of an Overflow – ChildLock—Prevents the Cooktop from Being Accidentally Switched On, Locks Temperature Settings if in Use – Safe Start—Ensures that Element Only is Activated; Others Remain Off – Anti-Overheat System—Shuts Off Cooktop – Two-level Heat Indicator—Warns if Cooktop is Warm or Hot 	<ul style="list-style-type: none"> – Overflow Detection—Sounds Alarm and Shuts off Cooktop in Case of an Overflow – ChildLock—Prevents the Cooktop from Being Accidentally Switched On, Locks Temperature Settings if in Use – Safe Start—Ensures that Element Only is Activated; Others Remain Off – Anti-Overheat System—Shuts Off Cooktop – Two-level Heat Indicator—Warns if Cooktop is Warm or Hot
Efficiency	– PotSense™—Automatically Adjusts Cooking Element to the Size of the Pan Bottom	– PotSense™—Automatically Adjusts Cooking Element to the Size of the Pan Bottom	– PotSense™—Automatically Adjusts Cooking Element to the Size of the Pan Bottom
Accessories	<ul style="list-style-type: none"> – HEZ390230* 10" AutoChef® Pan – HEZ390220 9" AutoChef® Pan 	<ul style="list-style-type: none"> – HEZ390230* 10" AutoChef® Pan – HEZ390210 8" AutoChef® Pan 	– n/a

*Free with mail-in redemption card.



30"



30"

Green Technology Inside

Green Technology Inside

500 Series	300 Series
<ul style="list-style-type: none"> - NIT5065UC Black w/Stainless Steel Trim 	<ul style="list-style-type: none"> - NIT3065UC Black
	
<ul style="list-style-type: none"> - Sleek Touch Control Panel Offers a Choice of 17 Settings for Unprecedented Temperature Control with PreciseSelect™ - Front and Back Stainless Steel Strip for a Premium Look 	<ul style="list-style-type: none"> - Sleek Touch Control Panel Offers a Choice of 17 Settings for Unprecedented Temperature Control with PreciseSelect™
<ul style="list-style-type: none"> - Countdown™ Timer–Built-in Timers for Each Element. Doubles as General-Purpose Kitchen Timer - Clean Lock–Prevents Unwanted Changing of Settings while Cleaning Spill-overs - PreciseSelect™–Direct Cooking Level Selection (17 Settings) 	<ul style="list-style-type: none"> - Countdown™ Timer–Built-in Timers for Each Element. Doubles as General-Purpose Kitchen Timer
<ul style="list-style-type: none"> - 11" Heating Element with Powerful 3,600 Watts - SpeedBoost®–This Fast-heat Mode Boils Water Twice as Fast as Conventional Electric Cooktops 	<ul style="list-style-type: none"> - 11" Heating Element with Powerful 3,600 Watts - SpeedBoost®–This Fast-heat Mode Boils Water Twice as Fast as Conventional Electric Cooktops
<ul style="list-style-type: none"> - Overflow Detection–Sounds Alarm and Shuts off Cooktop in Case of an Overflow - ChildLock–Prevents the Cooktop from Being Accidentally Switched On, Locks Temperature Settings if in Use - Safe Start–Ensures that Element Only is Activated; Others Remain Off - Anti-Overheat System–Shuts Off Cooktop - Two-level Heat Indicator–Warns if Cooktop is Warm or Hot 	<ul style="list-style-type: none"> - Overflow Detection–Sounds Alarm and Shuts off Cooktop in Case of an Overflow - ChildLock–Prevents the Cooktop from Being Accidentally Switched On, Locks Temperature Settings if in Use - Safe Start–Ensures that Element Only is Activated; Others Remain Off - Anti-Overheat System–Shuts Off Cooktop - Two-level Heat Indicator–Warns if Cooktop is Warm or Hot
<ul style="list-style-type: none"> - PotSense™–Automatically Adjusts Cooking Element to the Size of the Pan Bottom 	<ul style="list-style-type: none"> - PotSense™–Automatically Adjusts Cooking Element to the Size of the Pan Bottom
<ul style="list-style-type: none"> - n/a 	<ul style="list-style-type: none"> - n/a



Aj Madison
 Your Appliance Authority™
 800-570-3355

Cooktops

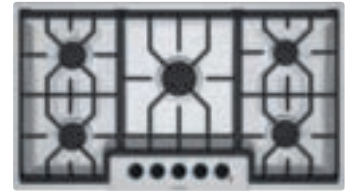
Gas Cooktop Specifications



36"

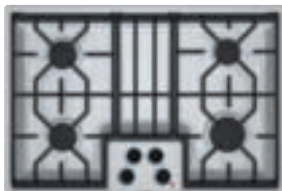


30"

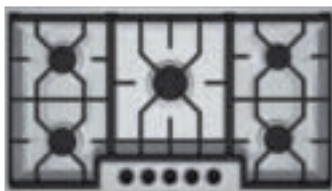


36"

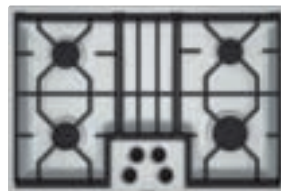
	800 Series	800 Series	500 Series
Model Numbers	– NGM8654UC Stainless Steel	– NGM8054UC Stainless Steel	– NGM5654UC Stainless Steel – NGM5664UC Black – NGM5624UC White
Appearance	<ul style="list-style-type: none"> – Centralized Controls for Easy Use and More Intuitive Operation of Cooktop – Cooktop Design Coordinates with Bosch Wall Ovens – Low-Profile Design for a More Integrated Appearance – Heavy-Duty Metal Plated Knobs for a Quality Look and Feel 	<ul style="list-style-type: none"> – Centralized Controls for Easy Use and More Intuitive Operation of Cooktop – Cooktop Design Coordinates with Bosch Wall Ovens – Low-Profile Design for a More Integrated Appearance – Heavy-Duty Metal Plated Knobs for a Quality Look and Feel 	<ul style="list-style-type: none"> – Centralized Controls for Easy Use and More Intuitive Operation of Cooktop – Cooktop Design Coordinates with Bosch Wall Ovens – Low-Profile Design for a More Integrated Appearance – High Quality Color Matched Knobs with Stainless Steel Bezel
Convenience	<ul style="list-style-type: none"> – Continuous Grates—Effortlessly Move Pots and Pans. Easy to Clean – Sealed Burners Prevent Spills From Entering the Burner Box – Push-to-Turn Knobs 	<ul style="list-style-type: none"> – Continuous Grates—Effortlessly Move Pots and Pans. Easy to Clean – Sealed Burners Prevent Spills From Entering the Burner Box – Push-to-Turn Knobs 	<ul style="list-style-type: none"> – Continuous Grates—Effortlessly Move Pots and Pans, Easy to Clean – Sealed Burners Prevent Spills From Entering the Burner Box – Push-to-Turn Knobs
Performance	<ul style="list-style-type: none"> – Powerful 18,000 BTU Central Burner – PowerSim®—Quick Heating with Large Flame or Gentle Simmering with a Diffuser Cap – OptiSim®—Simmer Delicate Sauces without Scorching (400 BTU) 	<ul style="list-style-type: none"> – Powerful 16,000 BTU Central Burner – PowerSim®—Quick Heating with Large Flame or Gentle Simmering with a Diffuser Cap – OptiSim®—Simmer Delicate Sauces without Scorching (400 BTU) – Five Burner 30" Cooktop—Same Versatility of 36" Cooktop in Compact 30" Format. For Kitchens Where Space is Limited 	<ul style="list-style-type: none"> – Powerful 16,000 BTU Central Burner – OptiSim®—Simmer Delicate Sauces without Scorching (400 BTU)
Safety	<ul style="list-style-type: none"> – Automatic Electronic Re-Ignition—In Case Flame Goes Out, the Burner is Automatically Re-Ignited 	<ul style="list-style-type: none"> – Automatic Electronic Re-Ignition—In Case Flame Goes Out, the Burner is Automatically Re-Ignited 	<ul style="list-style-type: none"> – Automatic Electronic Re-Ignition—In Case Flame Goes Out, the Burner is Automatically Re-Ignited
Accessories	– NEZ1054 LP Conversion Kit	– NEZ1054 LP Conversion Kit	– NEZ1054 LP Conversion Kit













30"



36"

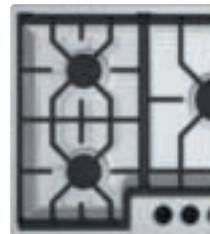


30"

500 Series	300 Series	300 Series
<ul style="list-style-type: none"> – NGM5054UC Stainless Steel – NGM5064UC Black – NGM5024UC White 	<ul style="list-style-type: none"> – NGM3654UC Stainless Steel 	<ul style="list-style-type: none"> – NGM3054UC Stainless Steel
   	  	  
<ul style="list-style-type: none"> – Centralized Controls for Easy Use and More Intuitive Operation of Cooktop – Cooktop Design Coordinates with Bosch Wall Ovens – Low-Profile Design for a More Integrated Appearance – High Quality Color Matched Knobs with Stainless Steel Bezel 	<ul style="list-style-type: none"> – Centralized Controls for Easy Use and More Intuitive Operation of Cooktop – Cooktop Design Coordinates with Bosch Wall Ovens – Low-Profile Design for a More Integrated Appearance – High Quality Color Matched Knobs with Stainless Steel Bezel 	<ul style="list-style-type: none"> – Centralized Controls for Easy Use and More Intuitive Operation of Cooktop – Cooktop Design Coordinates with Bosch Wall Ovens – Low-Profile Design for a More Integrated Appearance – High Quality Color Matched Knobs with Stainless Steel Bezel
<ul style="list-style-type: none"> – Continuous Grates—Effortlessly Move Pots and Pans. Easy to Clean – Sealed Burners Prevent Spills From Entering the Burner Box – Push-to-Turn Knobs 	<ul style="list-style-type: none"> – Continuous Grates—Effortlessly Move Pots and Pans, Easy to Clean – Sealed Burners Prevent Spills From Entering the Burner Box – Push-to-Turn Knobs 	<ul style="list-style-type: none"> – Continuous Grates—Effortlessly Move Pots and Pans. Easy to Clean – Sealed Burners Prevent Spills From Entering the Burner Box – Push-to-Turn Knobs
<ul style="list-style-type: none"> – Powerful 16,000 BTU Burner – OptiSim®—Simmer Delicate Sauces without Scorching (400 BTU) 	<ul style="list-style-type: none"> – Powerful 14,000 BTU Central Burner 	<ul style="list-style-type: none"> – Powerful 14,000 BTU Burner
<ul style="list-style-type: none"> – Automatic Electronic Re-Ignition—In Case Flame Goes Out, the Burner is Automatically Re-Ignited 	<ul style="list-style-type: none"> – Automatic Electronic Re-Ignition—In Case Flame Goes Out, the Burner is Automatically Re-Ignited 	<ul style="list-style-type: none"> – Automatic Electronic Re-Ignition—In Case Flame Goes Out, the Burner is Automatically Re-Ignited
<ul style="list-style-type: none"> – NEZ1054 LP Conversion Kit 	<ul style="list-style-type: none"> – NEZ1054 LP Conversion Kit 	<ul style="list-style-type: none"> – NEZ1054 LP Conversion Kit

Cooktops

Colors



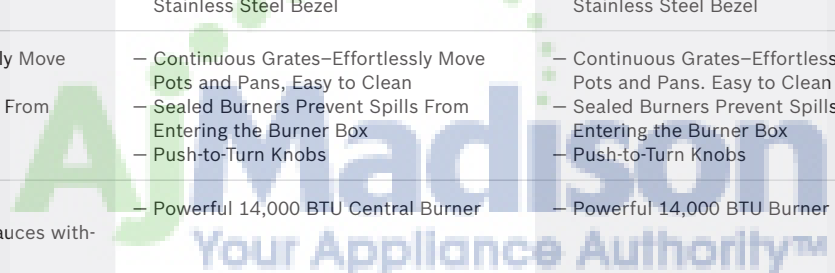
Stainless Steel
(NGM5654UC Model Shown)



Black
(NGM5664UC Model Shown)



White
(NGM5624UC Model Shown)


 Your Appliance Authority™
 800-570-3355

Electric Cooktop Specifications



36"



30"



36"

	800 Series	800 Series	500 Series
Model Numbers	– NET8654UC Black w/Stainless Steel Trim	– NET8054UC Black w/Stainless Steel Trim	– NET5654UC Black w/Stainless Steel Trim
Appearance	<ul style="list-style-type: none"> – SteelTouch™ with PreciseSelect™– A Bosch Exclusive – High-end Front and Back Stainless Steel Strip for a Premium Look 	<ul style="list-style-type: none"> – SteelTouch™ with PreciseSelect™– A Bosch Exclusive – High-end Front and Back Stainless Steel Strip for a Premium Look 	<ul style="list-style-type: none"> – Sleek Touch Control Panel Offers a Choice of 17 Settings for Unprecedented Temperature Control with PreciseSelect™ – High-end Front and Back Stainless Steel Strip for a Premium Look
Convenience	<ul style="list-style-type: none"> – AutoChef® Sensor–A Bosch Exclusive. Maintains Exact Frying Temperature for Perfect Results and Convenience – Bosch Recommended Pan Included–Excellent Heating Performance and Superior Cleanability, Dishwasher safe, Works with Electric and Induction Cooktops – PreciseSelect™–Direct Cooking Level Selection (17 Settings) – Countdown™ Timer–Built-in Timers for Each Element. Doubles as General-Purpose Kitchen Timer – Clean Lock–Prevents Unwanted Changing of Settings while Cleaning Spill-Overs – Keep Warm Function Allows Meals to Remain Ready to Serve 	<ul style="list-style-type: none"> – AutoChef® Sensor–A Bosch Exclusive. Maintains Exact Frying Temperature for Perfect Results and Convenience – Bosch Recommended Pan Included–Excellent Heating Performance and Superior Cleanability, Dishwasher safe, Works with Electric and Induction Cooktops – PreciseSelect™–Direct Cooking Level Selection (17 Settings) – Countdown™ Timer–Built-in Timers for Each Element. Doubles as General-Purpose Kitchen Timer – Clean Lock–Prevents Unwanted Changing of Settings while Cleaning Spill-Overs – Keep Warm Function Allows Meals to Remain Ready to Serve 	<ul style="list-style-type: none"> – Clean Lock–Prevents Unwanted Changing of Settings while Cleaning Spill-Overs – Keep Warm Function Allows Meals to Remain Ready to Serve – PreciseSelect™–Direct Cooking Level Selection (17 Settings)
Performance	<ul style="list-style-type: none"> – Three-zone 12" Heating Element with Powerful 3,080 Watt Element. Three Heating-zone Sizes in One. Accommodates a Variety of Pan Sizes – Dual Element Offers the Capability to Use Multiple Pan Sizes – PowerStart®–Initial Maximum Power Output Quickly Heats Burner, then Automatically Decreases to Pre-selected Temperature – Bridge Element Accommodates Oblong Pans and Multiple Diameter Sizes 	<ul style="list-style-type: none"> – Three-zone 12" Heating Element with Powerful 2,700 Watt Element. Three Heating-zone Sizes in One. Accommodates a Variety of Pan Sizes – Dual Element Offers the Capability to Use Multiple Pan Sizes – PowerStart®–Initial Maximum Power Output Quickly Heats Burner, then Automatically Decreases to Pre-selected Temperature 	<ul style="list-style-type: none"> – Dual Element Offers the Capability to Use Multiple Pan Sizes – Bridge Element Accommodates Oblong Pans and Multiple Diameter Sizes
Safety	<ul style="list-style-type: none"> – Two-level Heat Indicator–Warns if Cooktop is Warm or Hot – ChildLock–Prevents the Cooktop from Being Accidentally Switched on, Locks Temperature Settings if in Use 	<ul style="list-style-type: none"> – Two-level Heat Indicator–Warns if Cooktop is Warm or Hot – ChildLock–Prevents the Cooktop from Being Accidentally Switched on, Locks Temperature Settings if in Use 	<ul style="list-style-type: none"> – Two-level Heat Indicator–Warns if Cooktop is Warm or Hot – ChildLock–Prevents the Cooktop from Being Accidentally Switched on, Locks Temperature Settings if in Use
Accessories	– HEZ390230* 10" AutoChef® Pan	– HEZ390230* 10" AutoChef® Pan	– n/a

*Free with mail-in redemption card.



30"



36"



30"

500 Series	300 Series	300 Series
<ul style="list-style-type: none"> NET5054UC Black w/Stainless Steel Trim 	<ul style="list-style-type: none"> NEM3664UC Black 	<ul style="list-style-type: none"> NEM3064UC Black
<ul style="list-style-type: none"> Sleek Touch Control Panel Offers a Choice of 17 Settings for Unprecedented Temperature Control with PreciseSelect™ High-end Front and Back Stainless Steel Strip for a Premium Look 	<ul style="list-style-type: none"> High Quality Black Knobs with a Stainless Steel Bezel 	<ul style="list-style-type: none"> High Quality Black Knobs with a Stainless Steel Bezel
<ul style="list-style-type: none"> Clean Lock—Prevents Unwanted Changing of Settings while Cleaning Spill-Overs Keep Warm Function Allows Meals to Remain Ready to Serve PreciseSelect™—Direct Cooking Level Selection (17 Settings) 	<ul style="list-style-type: none"> Dual element Offers the Capability to Use Multiple Pan Sizes Infinite Temperature Controls for Precision Cooking 	<ul style="list-style-type: none"> Dual Element Offers the Capability to Use Multiple Pan Sizes Infinite Temperature Controls for Precision Cooking
<ul style="list-style-type: none"> Two-level Heat Indicator—Warns if Cooktop is Warm or Hot ChildLock—Prevents the Cooktop from Being Accidentally Switched on, Locks Temperature Settings if in Use 	<ul style="list-style-type: none"> Heat Indicator—Warns if Cooktop is Warm or Hot 	<ul style="list-style-type: none"> Heat Indicator—Warns if Cooktop is Warm or Hot
<ul style="list-style-type: none"> n/a 	<ul style="list-style-type: none"> n/a 	<ul style="list-style-type: none"> n/a

Cooktops

Ranges

Slide-in | Freestanding





Dual-fuel Ranges

Dual-fuel ranges from Bosch offer performance and convenience. Their gas-on-glass design features burners mounted on a ceramic-glass cooktop, making cleanup easy. A 16,000 BTU PowerSim® burner delivers a faster time-to-boil and precise control. And the Genuine European Convection with ACS oven cooks up to 25% faster and features the largest oven capacity available.

Gas Ranges

Unleash your cooking instincts with a Bosch gas range. Pro-style cooking grates let you slide your pots easily. Powerful PowerSim burners deliver up to 16,000 BTU for fast time-to-boil and excellent searing, while optimized burner spacing keeps every pot optimally positioned for maximum convenience. Prepare yourself for an amazing culinary experience.

Electric Ranges

Bosch electric ranges deliver power and functionality that help them perform as good as they look. They feature a glass-ceramic cooktop with UltraSpeed™ ribbon elements that heat up as fast as gas. Add the performance of Genuine European Convection and a concealed bake element, and it's clear that every meal you prepare with a Bosch electric range is certain to be a hit.

Model shown above: Integra® HDI7282U

Model shown below: Evolution® HGS5053UC

Model shown left: Integra® HEI7282U



Ranges

800-570-3355

The only thing that's not optional is the unbelievable convenience.

While our legendary quality makes a Bosch range the easy choice, deciding which type you want may not be so simple. There's the powerful control of gas. The efficient ease of electric. And the best of both world-class performers: Our dual-fuel model. All available in sleek, cabinet-flush, slide-in units or stylishly versatile freestanding ranges.





Madison
Your Appliance Authority™

Quality

ClearTouch® glass panel

This touch panel features high quality materials and elegant design, while giving complete access to all of the range's many features. Easy to use and even easier to clean, the control indicators will never fade because they are sealed under the glass surface, guaranteeing a beautiful appearance for years to come.



Touch and Turn®

Operating your oven with our exclusive Touch and Turn control system is a breeze. Performance is now at your fingertips. You can access an array of cooking modes in fewer steps, and even self-clean your oven with a single intuitive control knob. No more guesswork. Just great results every time.

Endless cooking possibilities

With up to nine preset cooking modes, the options are as vast as they are easy to operate. Our precisely programmed oven functions let you choose from bake, broil, convection bake, convection broil, convection roast, dehydrate or keep warm to complement your diverse cooking needs. All models even include a Sabbath mode.

Widest oven in its class

At 25 inches, our oven is the widest in its class. Incredibly accommodating, not only can you cook with a variety of cookware sizes simultaneously, it lets you cook an entire meal—including a large bird with all the trimmings. And with our well-lit oven, checking on your meal is a pleasurable eye-opener.

Cooktop elements

The electric cooktop features our state-of-the-art UltraSpeed™ ribbon elements. Instantly responding to the controls, these elements boast a three- to five-second “heat-up” time. There are multiple-sized elements, including a triple, all of which are adjustable to accommodate a variety of cookware styles.

Gas-on-glass burners

This ingenious design mounts gas burners on color-matched ceramic glass, creating a sleek, handsome cooktop that's patterned to conceal smudges while being significantly easier to clean.



Performance



PowerSim® burner

The PowerSim burner is the ultimate in power and finesse. It can generate a blazing 16,000 BTU for fast boiling or quick searing. At the other extreme, the built-in diffuser distributes heat evenly to let you simmer delicate sauces or melt chocolate without scorching.

Concealed bake element

The oven cavity floor hides an 8-pass bake element, offering maximized heat distribution for more even cooking. Since the element is not exposed, you get more usable space for that extra sheet of chocolate chip cookies. Flexibility doesn't stop here since the hidden bake element also makes for the easiest way to clean the inside of your oven.



Triple-element burners

The burners are available in 5"/7"/9" and 6"/9"/12" configurations, and are designed to efficiently accommodate a wide variety of cookware without wasting energy unnecessarily.



Meat probe

Our built-in automatic meat temperature probe will allow you to cook more accurately and enjoy perfect meals all the time. When foods reach the preset internal temperature, the oven beeps and turns itself off—giving you optimal temperature control. And by not overcooking, your food also maintains its nutritional value. Food tastes better, and you eat healthier.



OptiSim® burner

This OptiSim burner cooks at a low 450 BTU to delicately simmer even the most sensitive sauces or melt chocolate by evenly spreading the flame across the bottom of the pot to help prevent scorching.

Warming zone

100 W warming zone—perfect for keeping food ready to serve or prewarming dishes.



Genuine European Convection w/ACS

This feature offers a powerful 1,100-watt third heating element that surrounds the convection fan, circulating preheated air throughout the oven. By optimizing heat circulation within the oven cavity, our Advanced Circulation System (ACS) allows food to be cooked more evenly in up to 30% less time.

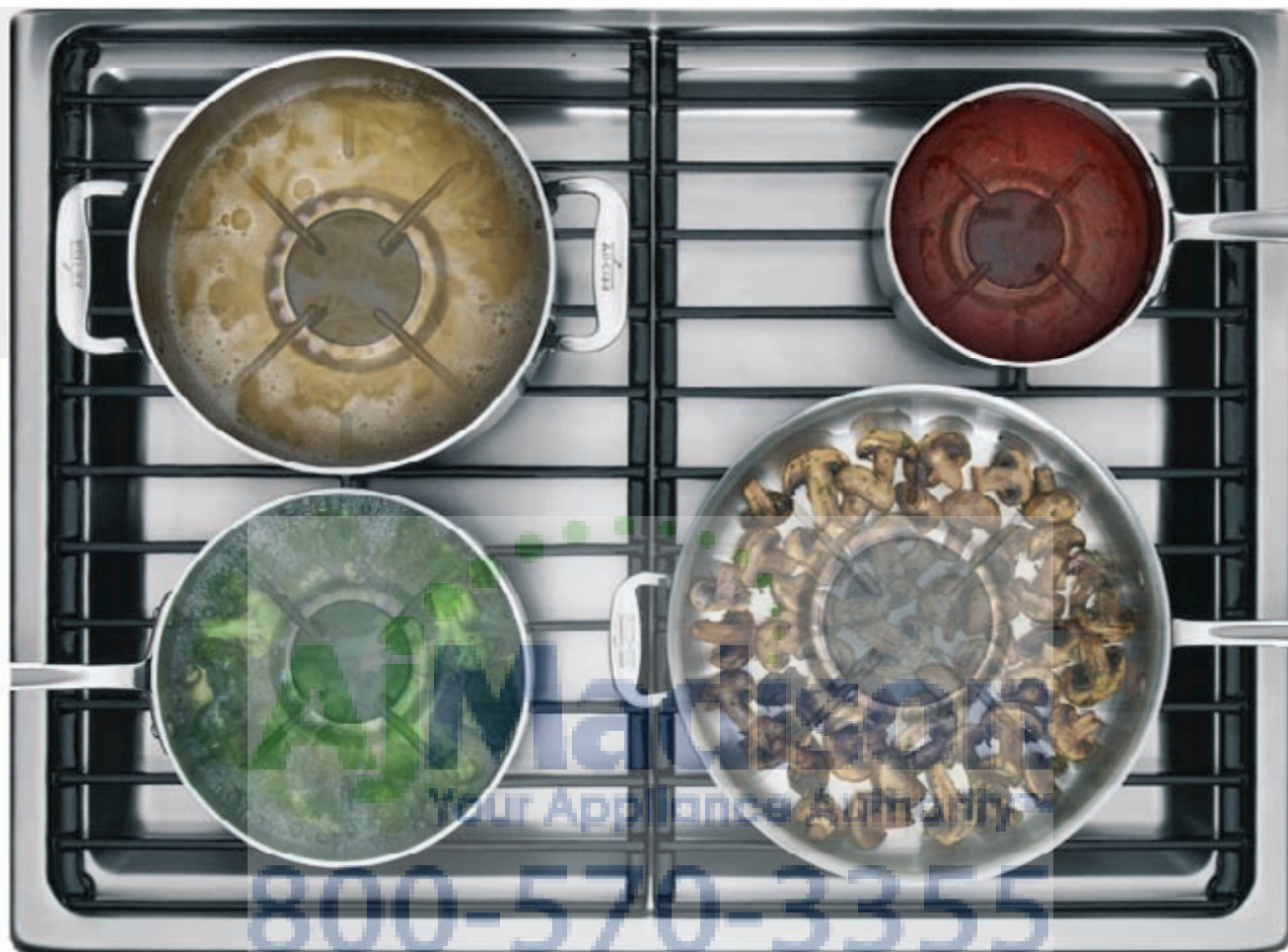


Convection oven

360° cooking saves time and energy. A fan provides even heat distribution throughout the cavity for superior cooking results.

Full-meal cooking

Thanks to our large capacity and Genuine European Convection, you can cook a feast in your oven. Furthermore, the convection technology prevents fusion of flavors. So your cherry pie won't taste like garlic potatoes, and your pork roast will taste like...pork roast. You're only limited by your imagination.



Convenience



Telescopic rack

With our convenient, full-extension telescopic rack, you can easily view, check and baste your dishes without having to reach into the oven. Our rack glides smoothly and easily, extending fully over the open oven door—even when holding up to 35 pounds. Plus it fits any of our six rack positions and is removable for easy cleanup.



Bridge element

Connects two burners, creating an elongated cooking surface for larger, oval-shaped pans.

Optimized burner spacing

We've revolutionized cooktop design with our unique burner spacing, which offers enhanced versatility. In addition to the PowerSim® burner, our cooktop has a true-simmer rear burner that is offset to the right—ultimately providing more space for larger pots, while leaving plenty of room for your creativity and cooking prowess.



Oval burner

Oval-shaped burner in the center of the cooktop heats food evenly across a large area. Perfect for your griddle or other oversized cookware.



Large warming drawer

With three electronically controlled temperature settings ranging from 140° to 220°F, our stainless steel warming drawer gives you a choice of options for ideal warming temperatures. While it smoothly glides on steel ball bearings, the drawer fully extends for easy access to its 1.3 cubic feet of usable space.

Slide-in Range Specifications



Dual-fuel



Dual-fuel



Electric

	700 Series	700 Series	700 Series
Model Numbers	– HDI7282U Stainless Steel Pro	– HDI7052U Stainless Steel	– HEI7282U Stainless Steel Pro
	     	    	    
Appearance	<ul style="list-style-type: none"> – ClearTouch® Electronic Oven Controls – True Hidden Bake Element – Stainless Steel Cooktop Control Panel – Metal Finish Knobs 	<ul style="list-style-type: none"> – ClearTouch® Electronic Oven Controls – True Hidden Bake Element 	<ul style="list-style-type: none"> – ClearTouch® Electronic Oven Controls – Stainless Steel Framed Cooktop – True Hidden Bake Element – Stainless Steel Cooktop Control Panel – Metal Finish Knobs
Convenience	<ul style="list-style-type: none"> – Full-extension Telescopic Rack – Touch & Turn® Electronic Oven Control with Eight Cooking Modes – Continuous Grates—Effortlessly Move Pots and Pans. Easy to Clean. – Sealed Burners Prevent Spills From Entering the Burner Box – Integrated Warming Drawer – Temperature Probe with Automatic Switch-off – Push-to-Turn Knobs 	<ul style="list-style-type: none"> – Touch & Turn® Electronic Oven Control with Eight Cooking Modes – Continuous Grates—Effortlessly Move Pots and Pans. Easy to Clean. – Sealed Burners Prevent Spills From Entering the Burner Box – Push-to-Turn Knobs 	<ul style="list-style-type: none"> – Full-extension Telescopic Rack – Touch & Turn® Electronic Oven Control with Eight Cooking Modes – Integrated Warming Drawer – Temperature Probe with Automatic Switch-off – Push-to-Turn Knobs
Performance	<ul style="list-style-type: none"> – Genuine European Convection with Advanced Circulation System (ACS) – PowerSim®—Quick Heating with Large Flame or Gentle Simmering with a Diffuser Cap – OptiSim®—Simmer Delicate Sauces without Scorching (400 BTU) – Power Burner—Quick Heating with 16,000 BTU – 4.6 cu. ft. Capacity – Convection Assisted Self-Cleaning Oven 	<ul style="list-style-type: none"> – Genuine European Convection with Advanced Circulation System (ACS) – PowerSim®—Quick Heating with Large Flame or Gentle Simmering with a Diffuser Cap – OptiSim®—Simmer Delicate Sauces without Scorching (400 BTU) – Power Burner—Quick Heating with 16,000 BTU – 4.6 cu. ft. Capacity – Convection Assisted Self-Cleaning Oven 	<ul style="list-style-type: none"> – Genuine European Convection with Advanced Circulation System (ACS) – Convection Assisted Self-Cleaning Oven – 4.6 cu. ft. Capacity
Accessories	– HEZ1060 Backsplash (Wall Installation)	– HEZ1060 Backsplash (Wall Installation)	– HEZ1060 Backsplash (Wall Installation)



Electric

700 Series

– HEI7052U Stainless Steel



- ClearTouch® Electronic Oven Controls
- Stainless Steel Framed Cooktop
- True Hidden Bake Element

- Touch & Turn® Electronic Oven Control with Eight Cooking Modes
- Push-to-Turn Knobs

- Genuine European Convection with Advanced Circulation System (ACS)
- Convection Assisted Self Cleaning Oven
- 4.6 cu. ft. Capacity

– HEZ1060 Backsplash
(Wall Installation)



AjMadison
Your Appliance Authority™
800-570-3355

Ranges



SP® approved.

Freestanding Range Specifications
















Gas



Gas



Gas

	700 Series	700 Series	500 Series
Model Numbers	– HGS7282UC Stainless Steel Pro	– HGS7052UC Stainless Steel	– HGS5L53UC Stainless Steel
	     	   	  
Appearance	<ul style="list-style-type: none"> – ClearTouch® Electronic Oven Controls – True Hidden Bake Element – Stainless Steel Cooktop Control Panel – Stainless Steel Cooktop – Low Profile Grates – Metal Finish Knobs 	<ul style="list-style-type: none"> – ClearTouch® Electronic Oven Controls – True Hidden Bake Element – Stainless Steel Cooktop – Low Profile Grates 	<ul style="list-style-type: none"> – Design Fits to Bosch Family Look – Recommended Companion to other Bosch 500 Series Products – True Hidden Bake Element – Stainless Steel Cooktop Control Panel – Metal Finish Knobs
Convenience	<ul style="list-style-type: none"> – Full-extension Telescopic Rack – Touch & Turn® Electronic Oven Control with Eight Cooking Modes – Continuous Grates–Effortlessly Move Pots and Pans. Easy to Clean. – Easy to Clean Sealed Burners–Provide Excellent Cleanability in Case of Spill Overs – Integrated Warming Drawer – Temperature Probe with Automatic Switch-off – Push-to-Turn Knobs 	<ul style="list-style-type: none"> – Touch & Turn® Electronic Oven Control with Eight Cooking Modes – Continuous Grates–Effortlessly Move Pots and Pans. Easy to Clean. – Easy to Clean Sealed Burners–Provide Excellent Cleanability in Case of Spill Overs – Integrated Warming Drawer – Push-to-Turn Knobs 	<ul style="list-style-type: none"> – Two Racks and Six Different Rack Positions Adjust for All Cooking Needs – Continuous Grates–Effortlessly Move Pots and Pans – Easy to Clean Sealed Burners–Provide Excellent Cleanability in Case of Spill Overs – Self Clean Cycle Saves Time. Quickly and Easily Cleans your Oven – Wide View Oven Window–Extra Large Window Provides Easy Viewing of Your Food – Push-to-Turn Knobs
Performance	<ul style="list-style-type: none"> – Genuine European Convection with Advanced Circulation System (ACS) – PowerSim®–Quick Heating with Large Flame or Gentle Simmering with a Diffuser Cap – OptiSim®–Simmer Delicate Sauces without Scorching (400 BTU) – Power Burner–Quick Heating with Powerful 16,000 BTU – Convection Assisted Self-Cleaning Oven 	<ul style="list-style-type: none"> – Genuine European Convection with Advanced Circulation System (ACS) – PowerSim®–Quick Heating with Large Flame or Gentle Simmering with a Diffuser Cap – Power Burner–Quick Heating with Powerful 16,000 BTU 	<ul style="list-style-type: none"> – Fan Provides Even heat Distribution Throughout the Cavity for Superior Cooking Results – Oval Shaped Burner–Evenly Heat Your Griddle or Other Specialty Shaped Cookware – Power Burner–Quickly Heating with Powerful 17,000 BTU – 500-BTU Simmer Burner–Easily Heat Delicate Sauces without Scorching or Burning – Five Burner Gas Ranges–Offers the Maximum Burner Performance and Ultimate Cooking Flexibility – Large Cavity with 5.0 cu. ft. Easily Accommodates Large Dishes and Offers Multiple Rack Cooking
Accessories	– n/a	– n/a	– n/a



Gas



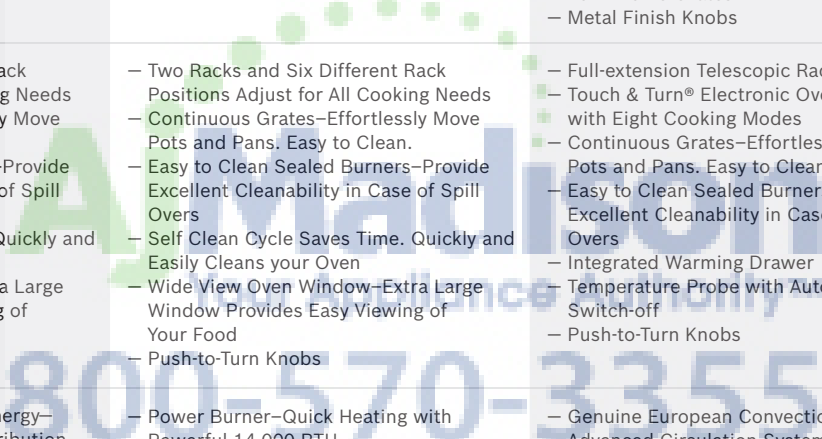
Gas



Dual-fuel

500 Series	300 Series	700 Series
<ul style="list-style-type: none"> – HGS5053UC Stainless Steel 	<ul style="list-style-type: none"> – HGS3053UC Stainless Steel – HGS3063UC Black – HGS3023UC White 	<ul style="list-style-type: none"> – HDS7282U Stainless Steel Pro
<ul style="list-style-type: none"> – Design Fits to Bosch Family Look—Recommended Companion to Other Bosch 500 Series Products 	<ul style="list-style-type: none"> – Design Fits to Bosch Family Look—Recommended Companion to Ascenta® Dishwasher, or other Bosch 300 Series Products 	<ul style="list-style-type: none"> – ClearTouch® Electronic Oven Controls – True Hidden Bake Element – Stainless Steel Cooktop Control Panel – Stainless Steel Cooktop – Low Profile Grates – Metal Finish Knobs
<ul style="list-style-type: none"> – Two Racks and Six Different Rack Positions Adjust for All Cooking Needs – Continuous Grates—Effortlessly Move Pots and Pans. Easy to Clean. – Easy to Clean Sealed Burners—Provide Excellent Cleanability in Case of Spill Overs – Self Clean Cycle Saves Time. Quickly and Easily Cleans your Oven – Wide View Oven Window—Extra Large Window Provides Easy Viewing of Your Food – Push-to-Turn Knobs 	<ul style="list-style-type: none"> – Two Racks and Six Different Rack Positions Adjust for All Cooking Needs – Continuous Grates—Effortlessly Move Pots and Pans. Easy to Clean. – Easy to Clean Sealed Burners—Provide Excellent Cleanability in Case of Spill Overs – Self Clean Cycle Saves Time. Quickly and Easily Cleans your Oven – Wide View Oven Window—Extra Large Window Provides Easy Viewing of Your Food – Push-to-Turn Knobs 	<ul style="list-style-type: none"> – Full-extension Telescopic Rack – Touch & Turn® Electronic Oven Control with Eight Cooking Modes – Continuous Grates—Effortlessly Move Pots and Pans. Easy to Clean. – Easy to Clean Sealed Burners—Provide Excellent Cleanability in Case of Spill Overs – Integrated Warming Drawer – Temperature Probe with Automatic Switch-off – Push-to-Turn Knobs
<ul style="list-style-type: none"> – Convection Saves Time and Energy—A Fan Provides Even Heat Distribution Throughout the Cavity for Superior Cooking Results – Oval-shaped Bridge Burner—Evenly Heat Your Griddle or Other Specially-shaped Cookware – Power Burner—Quick Heating with Powerful 16,000 BTU – 500 BTU Simmer Burner—Easily Heat Delicate Sauces without Scorching or Burning – Five-burner Gas Ranges—Offers the Maximum Burner Performance and Ultimate Cooking Flexibility – Large Cavity with 5.0 cu. ft. Easily Accommodates Large Dishes and Offers Multiple Rack Cooking – Hidden Bake Element for Improved Cleanability 	<ul style="list-style-type: none"> – Power Burner—Quick Heating with Powerful 14,000 BTU – 500 BTU Simmer Burner—Easily Heat Delicate Sauces without Scorching or Burning – Five-burner Gas Ranges—Offers the Maximum Burner Performance and Ultimate Cooking Flexibility – Large Cavity with 5.0 cu. ft. Easily Accommodates Large Dishes and Offers Multiple Rack Cooking – Hidden Bake Element for Improved Cleanability 	<ul style="list-style-type: none"> – Genuine European Convection with Advanced Circulation System (ACS) – PowerSim®—Quick Heating with Large Flame or Gentle Simmering with a Diffuser Cap – OptiSim®—Simmer Delicate Sauces without Scorching (400 BTU) – Power Burner—Quick Heating with Powerful 16,000 BTU
<ul style="list-style-type: none"> – HEZ1090 LP Conversion Kit 	<ul style="list-style-type: none"> – HEZ1090 LP Conversion Kit 	<ul style="list-style-type: none"> – n/a

Ranges



SP® approved.

Freestanding Range Specifications


















Dual-fuel



Electric



Electric

	700 Series	700 Series	700 Series
Model Numbers	– HDS7052U Stainless Steel	– HES7282U Stainless Steel Pro	– HES7252UC Stainless Steel
	     	    	   
Appearance	<ul style="list-style-type: none"> – ClearTouch® Electronic Oven Controls – Stainless Steel Cooktop – Low Profile Grates 	<ul style="list-style-type: none"> – ClearTouch® Electronic Oven Controls – Stainless Steel Cooktop Control Panel – Stainless Steel Framed Cooktop – True Hidden Bake Element – Metal Finish Knobs 	<ul style="list-style-type: none"> – ClearTouch® Electronic Oven Controls – Stainless Steel Framed Cooktop – True Hidden Bake Element
Convenience	<ul style="list-style-type: none"> – Touch & Turn® Electronic Oven Control with Eight Cooking Modes – Continuous Grates—Effortlessly Move Pots and Pans. Easy to Clean. – Sealed Burners Prevent Spills From Entering the Burner Box – Integrated Warming Drawer 	<ul style="list-style-type: none"> – Full-extension Telescopic Rack – Touch & Turn® Electronic Oven Control with Eight Cooking Modes – Integrated Warming Drawer – Meat Probe with Automatic Switch-off 	<ul style="list-style-type: none"> – Full-extension Telescopic Rack – Touch & Turn® Electronic Oven Control with Eight Cooking Modes – Integrated Warming Drawer – Meat Probe with Automatic Switch-off
Performance	<ul style="list-style-type: none"> – Genuine European Convection with Advanced Circulation System (ACS) – PowerSim®—Quick Heating with Large Flame or Gentle Simmering with a Diffuser Cap – OptiSim®—Simmer Delicate Sauces without Scorching (400 BTU) – Power Burner—Quick Heating with Powerful 16,000 BTU – Push-to-Turn Knobs 	<ul style="list-style-type: none"> – Genuine European Convection with Advanced Circulation System (ACS) – Convection Assisted Self Cleaning Oven – 4.6 cu. ft. Capacity – Push-to-Turn Knobs 	<ul style="list-style-type: none"> – Genuine European Convection with Advanced Circulation System (ACS) – Convection Assisted Self Cleaning Oven – 4.6 cu. ft. Capacity
Accessories	– n/a	– n/a	– n/a






Electric



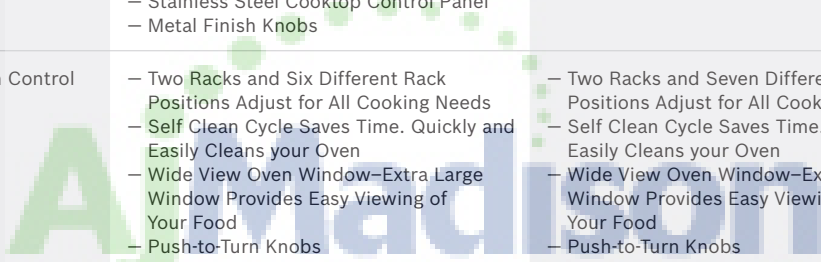
Electric



Electric

700 Series	500 Series	500 Series
<ul style="list-style-type: none"> - HGS5053UC Stainless Steel 	<ul style="list-style-type: none"> - HES5L53U Stainless Steel 	<ul style="list-style-type: none"> - HES5053U Stainless Steel
		
<ul style="list-style-type: none"> - ClearTouch® Electronic Oven Controls - Stainless Steel Framed Cooktop - True Hidden Bake Element 	<ul style="list-style-type: none"> - Design Fits to Bosch Family Look—Recommended Companion to other Bosch 500 Series Products - True Hidden Bake Element - Stainless Steel Cooktop Control Panel - Metal Finish Knobs 	<ul style="list-style-type: none"> - Design Fits to Bosch Family Look—Recommended Companion to other Bosch 500 Series Products
<ul style="list-style-type: none"> - Touch & Turn® Electronic Oven Control with Eight Cooking Modes - Integrated Warming Drawer - Push-to-Turn Knobs 	<ul style="list-style-type: none"> - Two Racks and Six Different Rack Positions Adjust for All Cooking Needs - Self Clean Cycle Saves Time. Quickly and Easily Cleans your Oven - Wide View Oven Window—Extra Large Window Provides Easy Viewing of Your Food - Push-to-Turn Knobs 	<ul style="list-style-type: none"> - Two Racks and Seven Different Rack Positions Adjust for All Cooking Needs - Self Clean Cycle Saves Time. Quickly and Easily Cleans your Oven - Wide View Oven Window—Extra large Window Provides Easy Viewing of Your Food - Push-to-Turn Knobs
<ul style="list-style-type: none"> - Genuine European Convection with Advanced Circulation System (ACS) - Bridge Element - Convection Assisted Self Cleaning Oven - 4.6 cu. ft. Capacity 	<ul style="list-style-type: none"> - Convection Saves Time and Energy—A Fan Provides Even Heat Distribution Throughout the Cavity for Superior Cooking Results - Extra Large 12" Element Offers the Capability to Use Multiple Pan Sizes - 100 Watt Warming Zone—Perfect for Keeping Food Ready to Serve or Prewarming Dishes - Dual Elements Offer the Capability to use Multiple Pan Sizes - Power Element—Quick Heating with Powerful 3,000 Watt Element - Large Cavity with 5.4 cu. ft. Easily Accommodates Large Dishes and Offers Multiple Rack Cooking 	<ul style="list-style-type: none"> - Convection Saves Time and Energy—A Fan Provides Even Heat Distribution Throughout the Cavity for Superior Cooking Results - Extra Large 12" Element Offers the Capability to Use Multiple Pan Sizes - 100 Watt Warming Zone—Perfect for Keeping Food Ready to Serve or Prewarming Dishes - Dual Element Offers the Capability to use Multiple Pan Sizes - Power Element—Quick Heating with Powerful 2,700 Watt Element - Large Cavity with 5.4 cu. ft. Easily Accommodates Large Dishes and Offers Multiple Rack Cooking - Hidden Bake Element for Improved Cleanability
<p>- n/a</p>	<p>- n/a</p>	<p>- n/a</p>

Ranges


 Your Appliance Authority™
 800-570-3355




SP approved.

Freestanding Range Specifications



Electric

300 Series	
Model Numbers	<ul style="list-style-type: none"> – HES3053U Stainless Steel – HES3063U Black – HES3023U White
	
Appearance	<ul style="list-style-type: none"> – Design Fits to Bosch Family Look—Recommended Companion to Ascenta® Dishwasher or other Bosch 300 Series Products
Convenience	<ul style="list-style-type: none"> – Two Racks and Seven Different Rack Positions Adjust for All Cooking Needs – Self Clean Cycle Saves Time, Quickly and Easily Cleans your Oven – Wide View Oven Window—Extra Large Window Provides Easy Viewing of Your Food – Push-to-Turn Knobs
Performance	<ul style="list-style-type: none"> – Dual Element Offers the Capability to Use Multiple Pan Sizes – Power Element—Quick Heating with Powerful 2,500 Watt Element – Large Cavity with 5.4 cu. ft. Easily Accommodates Large Dishes and Offers Multiple Rack Cooking – Hidden Bake Element for Improved Cleanability
Accessories	– n/a

Colors



Stainless Steel Pro
(HES7282U Model Shown)



Stainless Steel
(HES5053U Model Shown)



Black
(HES3063U Model Shown)



White
(HES3023U Model Shown)




 Your Appliance Authority
 800-570-3355



AjMadison
Your Appliance Authority
800-570-3355

Ventilation

Wall | Island | Custom Insert | Downdraft



Wall

Whether you prefer under-cabinet or chimney-style ventilation, we offer a complete line of stylish wall hoods with varying CFM levels so you can choose the one that is right for you.

AjMadison
Your Appliance Authority™
800-570-3355

Model shown left, above: DKE9305AUC, DPH30652UC



Island

Flaunting crisp lines and glass accents, our island hood offers an aesthetically pleasing, sophisticated design that matches the rest of your kitchen.

Custom Insert

Our new flush-fitting custom insert hoods are designed with minimalist styling that makes them barely visible. And their powerfully quiet fans make them barely audible.

Downdraft

The perfect solution for very high ceilings, island installation or simply lack of space, our downdraft rises from behind your cooktop. A rise of over 13" allows for efficient capture of steam and smoke. Available recirculation kit allows venting through the toe-kick of the cabinet.

Aj Madison

Your Appliance Authority

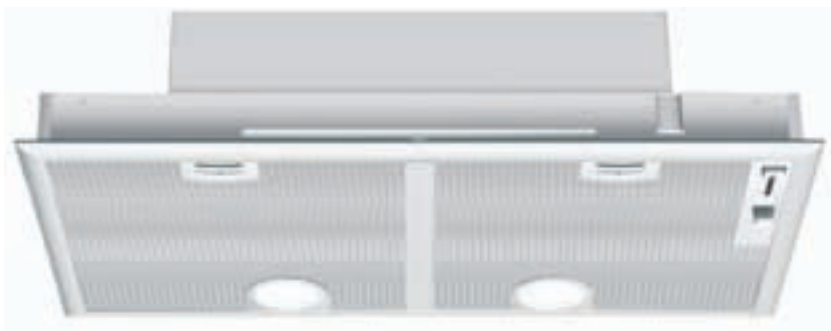
800-570-3355

Ventilation

Model shown below left: DHL755BUC

Model shown above: DIE165RUC

Model shown below right: DHD3014UC



Every meal now comes with a breath of fresh air.

Bosch's super-efficient, high-performance ventilation products literally freshen the air. Capable of up to 600 CFM, they quickly remove steam, odors, grease and smoke, without adding any distracting noise. As superbly designed as they are quiet, every Bosch ventilation system perfectly complements any Bosch cooktop or range.



Quality

Your meal should be memorable, not its odor. With Bosch's line of quiet, efficient, high-quality ventilation products, you can quickly remove steam, odors, grease and smoke, improving your home's overall air quality.

Performance

Steam, smoke, grease odors—nothing resists our efficient ventilation systems. With four-speed fans, dual blowers and a wide CFM range, you can adjust the fan to the desired amount of exhaust power. And all this power almost goes unnoticed because our hoods are also quiet. Extremely quiet.

Quietness

The sound you don't hear might just be cleaning your air. All of our ventilation products are designed to be extraordinarily quiet. With products as quiet as 53 dBA, our powerful dual-inlet blowers operate at whisper-like volumes.



AjMa **Appliance**
Your Appliance Authority™

800-570-3355

Ventilation

Wall Hood Specifications



Under-cabinet



Under-cabinet



Under-cabinet

	800 Series	500 Series	300 Series
Model Numbers	<ul style="list-style-type: none"> – DPH36652UC 36" Stainless Steel – DPH30652UC 30" Stainless Steel 	<ul style="list-style-type: none"> – DUH36252UC 36" Stainless Steel – DUH30252UC 30" Stainless Steel 	<ul style="list-style-type: none"> – DUH36152UC 36" Stainless Steel – DUH30152UC 30" Stainless Steel
		 	
Appearance	<ul style="list-style-type: none"> – Brushed Stainless Steel Finish – Professional Design 	<ul style="list-style-type: none"> – Brushed Stainless Steel Finish 	<ul style="list-style-type: none"> – Brushed Stainless Steel Finish
Convenience	<ul style="list-style-type: none"> – Top or Rear Venting Options – Two Incandescent Lights – Dishwasher-safe Mesh Filters – Recirculation Option Available – Easy-to-Use Controls 	<ul style="list-style-type: none"> – Top or Rear Venting Options – Two Halogen Lights – Dishwasher-safe Mesh Filters – Ducted or Non-Ducted Options – Easy-to-Use Rotary Control 	<ul style="list-style-type: none"> – Top or Rear Venting Options – Two Incandescent Lights – Dishwasher-safe Mesh Filters – Ducted or Non-Ducted Options – Easy-to-Use Rotary Control
Performance	<ul style="list-style-type: none"> – 600 CFM Blower Included – Quickly and Quietly Clears the Air of Smoke and Odor – Two Power Levels 	<ul style="list-style-type: none"> – 400 CFM Blower Included – Quickly and Quietly Clears the Air of Smoke and Odor – Four Power Levels 	<ul style="list-style-type: none"> – 280 CFM Blower Included – Quickly and Quietly Clears the Air of Smoke and Odor – Three Power Levels
Accessories	<ul style="list-style-type: none"> – DRZ3652UC Recirculation Kit – DHZ3052UC Charcoal Filter 	<ul style="list-style-type: none"> – DHZ3602UC 36" Charcoal Filter – DHZ3002UC 30" Charcoal Filter 	<ul style="list-style-type: none"> – DHZ3602UC 36" Charcoal Filter – DHZ3002UC 30" Charcoal Filter



 Your Appliance Authority™

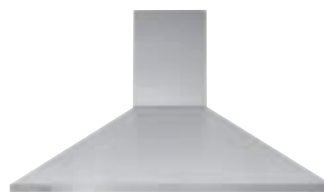
 800-570-3355











Glass Canopy



Canopy



Pyramid-style Canopy

800 Series	500 Series	300 Series
<ul style="list-style-type: none"> - DKE9665PUC 36" Stainless Steel - DKE9605PUC 30" Stainless Steel 	<ul style="list-style-type: none"> - DKE9465MUC 36" Stainless Steel - DKE9405MUC 30" Stainless Steel 	<ul style="list-style-type: none"> - DKE9365AUC 36" Stainless Steel - DKE9305AUC 30" Stainless Steel
  	  	 
<ul style="list-style-type: none"> - Sophisticated Glass Canopy - Wall or Ceiling Mounted Chimney Hood - Brushed Stainless Steel Finish 	<ul style="list-style-type: none"> - Brushed Stainless Steel Finish 	<ul style="list-style-type: none"> - Pyramid-style Canopy - Wall Mounted Chimney Hood - Brushed Stainless Steel Finish
<ul style="list-style-type: none"> - Dishwasher-safe Mesh Filters - Seven-segment Digital Display - Recirculation Option Available - Two Halogen Lights - Adjustable Chimney 	<ul style="list-style-type: none"> - Dishwasher-safe Mesh Filters - Seven-segment Digital Display - Recirculation Option Available - Two Halogen Lights - Adjustable Chimney 	<ul style="list-style-type: none"> - Dishwasher-safe Mesh Filters - Slide-Switch Control - Two Incandescent Lights - Adjustable Chimney
<ul style="list-style-type: none"> - 600 CFM Blower Included - Whisper-quiet at 54 dBA - Quickly and Quietly Clears the Air of Smoke and Odor - Four Power Levels 	<ul style="list-style-type: none"> - 600 CFM Blower Included - Whisper-quiet at 53 dBA - Quickly and Quietly Clears the Air of Smoke and Odor - Four Power Levels 	<ul style="list-style-type: none"> - 400 CFM Blower Included - Whisper-quiet at 58 dBA - Quickly and Quietly Clears the Air of Smoke and Odor - Three Power Levels
<ul style="list-style-type: none"> - DHZ9600UC 11-ft. Chimney Extension - DRZ94UC Recirculation Kit 	<ul style="list-style-type: none"> - DHZ9400UC 11-ft. Chimney Extension - DRZ94UC Recirculation Kit 	<ul style="list-style-type: none"> - DHZ9300UC 11-ft. Chimney Extension



 Your Appliance Authority™

 800-570-3355

Ventilation



Island Hood, Custom Insert Hood and Downdraft Specifications



Glass Canopy Island Hood



Custom Insert Hood



Downdraft

Model Numbers	– DIE165RUC 40" Stainless Steel	– DHL755BUC 29" Metallic	– DHD3614UC 36" Stainless Steel – DHD3014UC 30" Stainless Steel
Appearance	<ul style="list-style-type: none"> – Sophisticated Glass Canopy – Ceiling Mounted Chimney Hood – Brushed Stainless Steel Finish 	<ul style="list-style-type: none"> – Wall or Island Installations– Up to 36" Wide 	<ul style="list-style-type: none"> – Stands Over 13" Tall – Wall or Island Installations – Lowers Out of Sight When Not in Use
Convenience	<ul style="list-style-type: none"> – Two Control Panels for Easy Access from Around an Island – Dishwasher-safe Mesh Filters – Seven-segment Digital Display – Four Halogen Lights with Dimmer – Adjustable Chimney 	<ul style="list-style-type: none"> – Dishwasher-safe Mesh Filters – Slide-Switch Control – Two Halogen Lights 	<ul style="list-style-type: none"> – Intake Area Captures Smoke, Odor, and Grease – Dishwasher-safe Mesh Filters – Full Face Mesh Filters – Can be Ducted Left, Right, or Straight Down – Recirculation Option Also Available
Performance	<ul style="list-style-type: none"> – 600 CFM Blower Included – Additional Insulation for Extremely Quiet Operation – Quickly and Quietly Clears the Air of Smoke and Odor – Four Power Levels 	<ul style="list-style-type: none"> – 400 CFM Blower Included – Quickly and Quietly Clears the Air of Smoke and Odor – Four Power Levels 	<ul style="list-style-type: none"> – 600 CFM Blower Options (Sold Separately) – Quickly and Quietly Clears the Air of Smoke and Odor – Three Power Levels
Accessories	– n/a	– n/a	<ul style="list-style-type: none"> – DHG601DUC 600 CFM Internal Blower – DHG6015DUC 600 CFM Inline Blower – DHG6023UC 600 CFM Remote Blower – DHDRM36UC Recirculation Kit – DHZDHR6 Transition for Remote and Inline Blowers Installation

Your Appliances Authority

 800-570-3355



AjMadison
Your Appliance Authority
800-570-9155

Ventilation





With precise, automatic settings in your produce drawers, all you have to adjust is what you should expect from your refrigerator. Bosch leads the way in preservation technology with VitaFresh™. While conventional refrigerators require manual adjustments to get the best results, VitaFresh adjusts humidity levels automatically, maintaining moisture so produce stays fresher, longer. So from the minute you start using your Bosch refrigerator, you'll be able to enjoy fresher fruits and vegetables—while significantly extending their shelf life.

Refrigeration

Built-in French Door | Freestanding French Door |
Freestanding Counter-depth Side-by-side



Fall in love with the tall, silent, efficient type.

Built-in French door refrigerators

Offering two types of design options, the Bosch Integra® is a built-in refrigerator that provides a custom fit for your kitchen and your family's needs. Our built-in unit also brings several advanced features, like the MarketFresh® food preservation system, which keeps your food fresh and healthy.



Convenience



Pre-assembled system

Bosch Integra is now simpler and faster to install than ever before. All Bosch French-door bottom mounts come with stainless steel panels and handles pre-assembled.

OptiFlex® hinge

Designed to open out and away from the cabinetry, this ingenious hinge construction allows doors to be mounted flush, yet open to 115°, without touching or nicking surrounding cabinets.

Ice bin

The new and improved ice bin has been re-designed for maximum ice production and storage.

Full-extension drawers

Even with the door at a 90-degree angle, Bosch refrigerators provide you with the convenience to fully extend the drawers for easy access to your food.



800-570-3355

Framed or flush design

Either way, you get a very flexible, functional refrigerator and a smart look. With a fully flush installation, the refrigerator is lined up exactly with your cabinets, providing a sleek appearance. The framed installation makes for a classic built-in semi-flushed design that works with 24" depth cabinetry.

Food preservation



Dual evaporator and dual compressor

Innovative Bosch technology that has a separate evaporator for the refrigerator and freezer sections, prevents the transfer of flavors and allows the refrigerator and freezer temperature to be controlled independently. And the dual compressor provides added benefits by further preventing odor transfer and improving the proper moisture throughout the refrigerator.



MarketFresh® food preservation system

This integrated system helps keep all of your food at the peak of freshness. With innovative technology like an additional cooling channel in the refrigerator door and an adjustable temperature-controlled drawer, foods stored anywhere in the unit will stay fresher.

Freestanding French door refrigerator

Preserving freshness is the most important function for refrigeration. At Bosch, we thought about how we could make it better by automatically keeping food fresher, longer. Introducing VitaFresh™. Available only on the Bosch French door refrigerator, VitaFresh works to protect the flavor, texture, and appearance of food. By keeping meats and cheeses at the ideal temperature—and fruits and vegetables at the perfect humidity and temperature—we help preserve food budgets almost as well as food.

Food preservation



VitaFresh™

Unlike other refrigerators, smart VitaFresh technology maintains the optimal temperature and humidity levels automatically without having to guess the right settings for your produce—allowing you to keep it fresher, longer. Refrigeration is more than keeping things cold. It's about maintaining the right balance of temperature and humidity for your food. VitaFresh drawers provide an optimal moisture level to preserve produce, eliminating the guesswork of proper food storage.

Directional air flow system

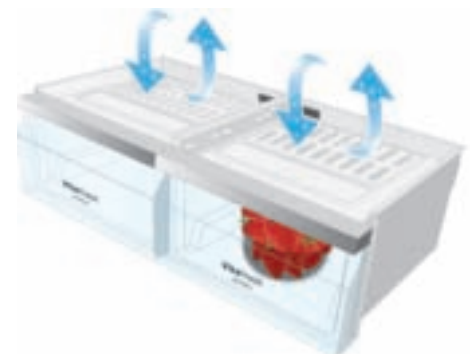
An ingenious airflow system utilizing a special ventilation channel allows air to pass over and around the produce drawers. The temperature is kept at a consistent, ideal level for the contents within. The unique system not only preserves your food, but chills it to the optimal temperature.

Automatic humidity control

This unique lining maintains the ideal humidity for all types of produce by regulating how much or how little moisture is required for the produce stored in the drawers, keeping foods healthy and delicious.



- Retains up to **20% more moisture content** than conventional refrigerators*
- Retains up to **14% more Vitamin C** than conventional refrigerators*
- Extends storage life up to **two times longer** than conventional refrigerators*



*VitaFresh results are based on an independent study performed against Bosch conventional refrigerators.

Efficiency

ENERGY STAR® qualified

With the efficient features you expect from Bosch, this refrigerator is ENERGY STAR® qualified—which keeps energy costs low while providing superior performance.

EcoControl

Saves energy with easily accessible outside controls. Independently change the refrigerator and freezer without ever opening the refrigerator or bottom freezer drawers.



Style

Hidden hinges

The hidden hinges on the door present a sleek, luxurious look while providing sturdy support and smooth, easy opening.

Gallon door bins

Milk and larger containers are placed in the adjustable gallon door bins, freeing up space on the shelves for additional storage.

Ice and water dispenser

Frameless ice and water dispenser provides cold, filtered water plus crushed and cubed ice. Its sleek design includes seamlessly integrated SteelTouch™ controls.



All-level LED lighting

The interior of the Bosch French door refrigerator glows with fully integrated LED lighting: lighting from above for the overall interior of the refrigerator, in the VitaFresh™ drawers, in the deli drawer, and in the bottom freezer.

SteelTouch™ controls



The controls—incredibly responsive and seamless with the sharp stainless steel design—make temperature adjustments and other features accessible at the touch of a finger.

AjMadison
Your Appliance Authority
800-570-3355

Freestanding counter-depth side-by-side refrigerators

The Bosch Linea® counter-depth refrigerator is perhaps the most attractive combination of high-convenience technology, superior food preservation and intelligent design ever made. With its sleek design, easy installation and a variety of convenience and food preservation features, Linea is more than just a beautiful face.



800-570-3355

Convenience



EasyLift™ shelves and door bin

Is the cake platter too tall?

Simply lower or raise shelves without unloading and removing them. German engineering for everyday living. A fantastic addition!

Water and ice dispenser

Help yourself, whenever you want. This advanced filling station dispenses water, crushed ice and ice cubes. Use the QuickIce function when entertaining large groups. A water filter ensures the freshest tasting water and an exceptionally bright LED light makes filling a small glass or an oversized pitcher easier than ever.



CoolGlow™ LED interior lighting

A star performance behind closed doors. The interior of the Linea 800 Series shines with exceptionally bright LED lighting for easier viewing. Nothing will be overlooked or forgotten in this brightly illuminated refrigerator.

CoolPaks™

No more leaky bags of ice. CoolPaks are made to keep food and beverages cold while in a cooler. The two reusable CoolPaks will keep a 10-quart cooler chilled, and they can even keep your refrigerator cool during power outages! An added bonus: CoolPaks conveniently store in their own compartment in the freezer door.

Food preservation



Dual evaporator

No one wants their ice cream to taste like fish.

Thanks to innovative Bosch technology, which has a separate evaporator for the refrigerator and freezer sections, this isn't a problem. Two separate refrigeration systems not only prevent the transfer of flavors, they also allow the refrigerator and freezer temperature to be controlled independently.



AirFresh Filter®

This activated carbon air filter from Bosch helps food retain its flavor and keeps ice tasting fresh. To save space, the filter is built into the vents that circulate air through the refrigerator several times per hour, helping clean the air of any unwanted odors.



FreshProtect™ Box

Cool, tailor-made solutions for fish and meat, produce or dairy products. The precise temperature settings—31°F, 34°F or 37°F—help food stored in the FreshProtect Box stay fresh longer. The box extends smoothly on telescopic rails and has a net capacity of five gallons. Independent of the remaining refrigerator section, the temperature is set via the control panel on the door exterior.



Anti-bacterial lining

All Linea® refrigerators have natural silver elements embedded in the lining of the interior walls. Silver has strong anti-bacterial effects and neutralizes odors. A hygienic atmosphere will help food stay and taste fresh.

Efficiency

ENERGY STAR® qualified

Every Bosch refrigerator is ENERGY STAR Qualified. With efficient features, such as an alarm indicating the door is ajar, Vacation Mode and Economy Mode, Bosch can significantly reduce your energy bills.

EcoControl

Saves energy with easily accessible outside controls. Independently change the refrigerator, freezer and FreshProtect Box without ever opening the refrigerator doors.



AjMadison
Your Appliance Authority™
800-570-3355

Built-in Refrigeration Specifications



36" Refrigerator with Flush Design	
Model Numbers	– B36ET71SNS Stainless Steel
	  
Appearance	<ul style="list-style-type: none"> – Unique Flush Design Offers the Ultimate Built-in Look – Optiflex® Hinge—Opens Out and Away from the Cabinetry, Allowing True Integrated Installation, and Opens 115 Degrees
Performance	<ul style="list-style-type: none"> – Dual Refrigeration System with Two Compressors and Two Evaporators for Best Humidity/Temperature and No Odor Transfer – Deli Drawer for the Best Food Storage of Fish, Meat and Vegetables – Cold Air Channel Behind the Door Bins Ensures that Food Items Stored on the Door are as Cold as Items on the Shelves – Electronic Sensor Controls—Keep Temperatures Consistent so Food Stays Fresh No Matter Where it is Stored – SuperCool™—Quickly Balances Temperatures Between Cool Items and Newly Placed Goods – SuperFreeze™—Quickly Balances Temperatures Between Frozen Items and Newly Placed Goods
Convenience	<ul style="list-style-type: none"> – Pre-assembled with Stainless Steel Panels and Handles for Quick Installation – MaxBright™ Lighting System—Provides Even Light Distribution and Brightens Entire Cavity for a Clearer Look – Water Filter
Safety	<ul style="list-style-type: none"> – Door Open Alarm—This Alarm Gently Notifies You when the Door is Left Ajar
Efficiency	<ul style="list-style-type: none"> – Economy Mode—Saves Energy During Everyday Use – Vacation Mode—Ideal Setting to Conserve Energy While Away for a Prolonged Period – Sabbath Mode—Special Holiday Mode Complies with Certain Religious Holiday Observances – ENERGY STAR® Qualified



 Your Appliance Authority

 800-570-3355



36" Refrigerator with Framed Design	
Model Numbers	– B36IT71SNS Stainless Steel w/Frame
	  
Appearance	<ul style="list-style-type: none"> – Stainless Steel Frame for Classic Built-in Design – Optiflex® Hinge—Opens Out and Away from the Cabinetry, Allowing True Integrated Installation, and Opens 115 Degrees
Performance	<ul style="list-style-type: none"> – Dual Refrigeration System with Two Compressors and Two Evaporators for Best Humidity/Temperature and No Odor Transfer – Deli Drawer for the Best Food Storage of Fish, Meat and Vegetables – Cold Air Channel Behind the Door Bins Ensures that Food Items Stored on the Door are as Cold as Items on the Shelves – Electronic Sensor Controls—Keep Temperatures Consistent so Food Stays Fresh No Matter Where it is Stored – SuperCool™—Quickly Balances Temperatures Between Cool Items and Newly Placed Goods – SuperFreeze™—Quickly Balances Temperatures Between Frozen Items and Newly Placed Goods
Convenience	<ul style="list-style-type: none"> – Pre-assembled with Stainless Steel Panels and Handles for Quick Installation – MaxBright™ Lighting System—Provides Even Light Distribution and Brightens Entire Cavity for a Clearer Look – Water Filter
Safety	<ul style="list-style-type: none"> – Door Open Alarm—This Alarm Gently Notifies You when the Door is Left Ajar
Efficiency	<ul style="list-style-type: none"> – Economy Mode—Saves Energy During Everyday Use – Vacation Mode—Ideal Setting to Conserve Energy While Away for a Prolonged Period – Sabbath Mode—Special Holiday Mode Complies with Certain Religious Holiday Observances – ENERGY STAR® Qualified



 Your Appliance Authority




 800-570-3355



Refrigeration

French Door Refrigeration Specifications









800 Series	
Model Numbers	– B26FT70SNS Stainless Steel
	  
Appearance	<ul style="list-style-type: none"> – Color-matched Sides – Standard Depth
Performance	<ul style="list-style-type: none"> – VitaFresh™ Food Preservation System with Automatic Humidity and Temperature Control Keeps Food Fresher, Longer – Multi-Flow Shower Cooling System—For Optimum, Uniform Cold Air Circulation – SuperCool™—Quickly Balances Temperatures Between Cool Items and Newly Placed Goods – SuperFreeze™—Quickly Balances Temperatures Between Frozen Items and Newly Placed Goods – QuickIce for Fast Ice Production When You Need It
Convenience	<ul style="list-style-type: none"> – All-level LED Lighting – Frameless Exterior Ice and Water Dispenser with LED Illumination Serves Filtered Water, Crushed and Cubed Ice – Hide-away Water Filter Maximizes Storage Capacity – Gallon Door Storage Bins – Adjustable Split-glass Shelving – Spill-proof Glass Shelves – Full-extension VitaFresh™ Drawers – Full-size Deli Drawer – Hidden Hinges – Large Storage Capacity of 25.9 cu. ft.
Safety	<ul style="list-style-type: none"> – Door Open Alarm—This Alarm Gently Notifies You when the Door is Left Ajar – Dispenser Control Lock—Prevents Small Children from Operating or Making Adjustments Without Adult Supervision
Efficiency	<ul style="list-style-type: none"> – ENERGY STAR® Qualified – EcoControl Saves Energy with Accessible Outside Controls




 Your Appliance Authority™
 800-570-3333

Side-by-Side Refrigeration Specifications



	800 Series
Model Numbers	– B22CS80SNS Stainless Steel
	     
Appearance	<ul style="list-style-type: none"> – Color-matched Sides – Counter Depth
Performance	<ul style="list-style-type: none"> – Dual Evaporator Prevents Flavor Transfer from the Refrigerator to the Freezer and Maximizes Energy Efficiency with Individual Temperature Control for Each Compartment – FreshProtect Box™—Three Adjustable Temperature Settings for Fish and Meat, Dairy or Produce – AirFresh™ Filter—An Activated Carbon Filter Constantly Scrubs Air for a Clean Smell – Anti-bacterial Lining—Silver Ions in the Lining Provide a Hygienic Atmosphere – Multi-Flow Shower Cooling System for Optimum, Uniform Cold Air Circulation – SuperCool™ Quickly Balances Temperatures Between Cool Items and Newly Placed Goods – SuperFreeze™ Quickly Balances Temperatures Between Frozen Items and Newly Placed Goods – Hide-away Water Filter Maximizes Storage Capacity – QuickIce for Fast Ice Production When You Need It – Unique Frameless Glass Shelves – Touch Controls with LCD Display – Hidden Hinges – Long Door—No Unsightly Grill Disrupting the Sleek Design
Convenience	<ul style="list-style-type: none"> – EasyLift™ Shelf—Move the Shelf Up or Down, Even When Loaded with Items – EasyLift™ Door Bin—Move the Bin Up or Down, Even When Loaded with Items – Frameless Exterior Ice and Water Dispenser Serves Filtered Water and Both Crushed and Cubed Ice; with LED Illumination – CoolGlow™ LED Interior Lighting – CoolPaks™ for Ice Coolers are Conveniently Stored in their Own Compartment in the Freezer Door – Deli Drawer – Can Rack – Bottle Rack – Gallon Door Bin – Full Extension Freezer Drawers – Tilt-out Door Bins in Freezer for Easy Access
Safety	<ul style="list-style-type: none"> – Door Open Alarm—This Alarm Gently Notifies You when the Door is Left Ajar – Dispenser Control Lock—Prevents Small Children from Operating or Making Adjustments Without Adult Supervision
Efficiency	<ul style="list-style-type: none"> – ENERGY STAR® Qualified – Economy Mode Saves Energy During Everyday Use – Vacation Mode Conserves Energy While Away for a Prolonged Period – Sabbath Mode Complies with Certain Religious Holiday Observances



AjMadison
Your Appliance Authority™

800-570-3333

Side-by-Side Refrigeration Specifications



500 Series	
Model Numbers	<ul style="list-style-type: none"> – B22CS50SNS Stainless Steel – B22CS50SNW White
	    
Appearance	<ul style="list-style-type: none"> – Color-matched Sides – Counter Depth
Performance	<ul style="list-style-type: none"> – Dual Evaporator Prevents Flavor Transfer from the Refrigerator to the Freezer and Maximizes Energy Efficiency with Individual Temperature Control for Each Compartment – FreshProtect Box™—Three Adjustable Temperature Settings for Fish and Meat, Dairy or Produce – AirFresh Filter®—An Activated Carbon Filter Constantly Scrubs Air for a Clean Smell – Anti-bacterial Lining—Silver Ions in the Lining Provide a Hygienic Atmosphere – Multi-Flow Shower Cooling System for Optimum, Uniform Cold Air Circulation – SuperCool™ Quickly Balances Temperatures Between Cool Items and Newly Placed Goods – SuperFreeze™ Quickly Balances Temperatures Between Frozen Items and Newly Placed Goods – Hide-away Water Filter Maximizes Storage Capacity – QuickIce for Fast Ice Production When You Need It – Spill-proof Glass Shelves – Touch Controls with LCD Display – Hidden Hinges – Long Door—No Unsightly Grill Disrupting the Sleek Design
Convenience	<ul style="list-style-type: none"> – EasyLift™ Shelf—Move the Shelf Up or Down, Even When Loaded with Items – Frameless Exterior Ice and Water Dispenser Serves Filtered Water and Both Crushed and Cubed Ice; with LED Illumination – Extra Bright Halogen Lighting – CoolPaks™ for Ice Coolers Are Conveniently Stored in Their Own Compartment in the Freezer Door – Deli Drawer – Can Rack – Bottle Rack – Gallon Door Bin – Full Extension Freezer Drawers – Tilt-out Door Bins in Freezer for Easy Access
Safety	<ul style="list-style-type: none"> – Door Open Alarm—This Alarm Gently Notifies You when the Door is Left Ajar – Dispenser Control Lock—Prevents Small Children from Operating or Making Adjustments Without Adult Supervision
Efficiency	<ul style="list-style-type: none"> – ENERGY STAR® Qualified – Economy Mode Saves Energy During Everyday Use – Vacation Mode Conserves Energy While Away for a Prolonged Period – Sabbath Mode Complies with Certain Religious Holiday Observances





 Your Appliance Authority™

 800-570-3355



300 Series

Model Numbers – B22CS30SNS Stainless Steel



Appearance – Color-matched Sides
– Counter Depth

Performance

- Dual Evaporator Prevents Flavor Transfer from the Refrigerator to the Freezer and Maximizes Energy Efficiency with Individual Temperature Control for Each Compartment
- Humidity Controlled Drawer for Produce
- Multi-Flow Shower Cooling System for Optimum, Uniform Cold Air Circulation
- SuperCool™ Quickly Balances Temperatures Between Cool Items and Newly Placed Goods
- SuperFreeze™ Quickly Balances Temperatures Between Frozen Items and Newly Placed Goods
- Hide-away Water Filter Maximizes Storage Capacity
- Spill-proof Glass Shelves
- Touch Controls with LED Display
- Hidden Hinges
- Long Door—No Unsightly Grill Disrupting the Sleek Design

Aj Madison
 Your Appliance Authority™
 800-570-2255

Convenience

- Frameless Exterior Ice and Water Dispenser Serves Filtered Water and Both Crushed and Cubed Ice; with LED Illumination
- Extra Bright Lighting
- Deli Drawer
- Gallon Door Bin
- Full Extension Freezer Drawers
- Tilt-out Door Bins in Freezer for Easy Access

Safety

- Door Open Alarm—This Alarm Gently Notifies You when the Door is Left Ajar
- Dispenser Control Lock—Prevents Small Children from Operating or Making Adjustments Without Adult Supervision

Efficiency – ENERGY STAR® Qualified

Colors



Stainless Steel
(B22CS50SNS Model Shown)



White
(B22CS50SNW Model Shown)



Refrigeration





So efficient, we'll clean your conscience too. When it comes to laundry we want to be as efficient as possible, so you can use less and we can give you more. In fact, that's even the thinking behind the German-engineered, American-built full size Vision™ washer and dryer. It's not just that it uses 60% less water and less energy than the industry average, its that by being built closer to home, we reduce the carbon footprint of getting it to people who want to buy it. It's part of our total commitment to keeping your conscience as clean as your clothes.

Laundry

Full Size | Compact



Aj Madison
Your Appliance Authority™
800-570-3355

Laundry

Cleaner clothes. With a clearer conscience.

Full Size

Our machines are so advanced that they are the most energy- and water-efficient brand of full-sized, front-load washers in the U.S.* All this while still offering superior cleaning results. The powerful combination of efficiency, safety, value and engineering is what makes Bosch washers and dryers the best you'll ever own.



*Based on the average energy consumption by brand for full-size 27" front loaders, as listed on the ENERGY STAR® website (www.energystar.gov), June 2010.
**Industry average based on non-ENERGY STAR® qualified clothes washer per cycle water consumption.



Efficiency

Sensor technology

An intelligent technology features a network of sensors, designed to maximize efficiency while delivering superior cleaning performance. The load sensor adjusts the amount of water in each load depending on size, and the thermostat-controlled heater monitors the water temperature, ensuring no energy is wasted. Cycle time is also regulated, so you always run your machine for the optimum length.

Most efficient

Bosch is the most efficient brand of full-size, front-load washers in the U.S.* Bosch leads the industry in both energy and water efficiency for its laundry product.

800-570-3355



EcoAction®

For ultimate efficiency, every Bosch washer and dryer offers EcoAction. This option adjusts cycle temperature and cycle length with the touch of a button. Energy consumption is reduced by up to 10% in the dryers and up to an impressive 20% in the washers.

ActiveWater®

The Bosch ActiveWater system is the most effective and efficient use of water, providing the best cleaning results with the least amount of water usage. Bosch washers with ActiveWater consume an average of only 13 gallons per cycle, but wash with the power of 400 gallons. That is up to 64% less water per load than the industry average.**



Performance

ActiveClean™

The five-part ActiveClean wash system ensures precision cleaning for all types of clothes and wash cycles. Water temperature, mechanical action, water level, time and chemical dispersion are all controlled by this unique technology in order to maximize the cleaning performance of our washers. Vision™ paddles move clothes aggressively for durable fabrics or gently for delicate fabrics. The Jet Dispenser adds detergent or other chemicals—such as bleach—quickly and evenly, and the washer heats up the water temperature to an outstanding 170° F for specialized cycles.

ActiveDry®

Ensuring perfect drying results is not an easy task; however, at Bosch we enjoy challenges. That's why our three-part ActiveDry system maintains the exact drying temperature, monitors the moisture left in your clothes and prevents wrinkles before they start. What more could you ask for?



Stain Removal Option

Remove 14 different everyday stains with just a touch of a button. Different stains require different temperatures to treat them, so the Stain Removal Option incrementally increases water temperature to target each stain at the optimal level. Select with any cycle and easily remove grass, red wine or tough grease stains without pre-soaking.



Steam cycles

Wrinkle relax, touch-up or refresh clothes in less than 20 minutes. Relax wrinkles to reduce or eliminate the need for ironing and dry-cleaning. Select "Touch-up" to soften garments that have remained in the dryer long after the cycle ended—for that just-out-of-the-dryer freshness. Refresh previously worn clothes to remove odors such as smoke or perfume.



DynamicAir™

Bosch dryers blow a high volume of air at lower temperatures rather than overheating clothes like most dryers do. So your clothes are dried perfectly, keeping them beautiful for years to come, while using less energy than traditional dryers.

Thoughtful Engineering



AquaShield® and AquaStop® Leak Protection System

Bosch is the only U.S. manufacturer to offer a leak protection system in their washers. The AquaShield system contains a sensor in the bottom of the washer that will shut down the operation of the machine and automatically pump out excess water. AquaStop takes leak protection one step further by adding a double-walled hose that contains the water if the inner hose fails, and a shut-off valve stops the water supply. AquaStop® eliminates the risk of major water damage.



Extended WrinkleBlock®

Featuring advanced WrinkleBlock technology, the Vision™ dryer ensures your clothes stay wrinkle-free for up to one hour.



AVS™ Anti-Vibration system

An advanced suspension-system drastically reduces vibration and noise from unbalanced loads during the spin cycle. This is especially important in homes where the laundry system is installed on the second story. No vibrations will be transmitted to the floor and ceiling below, ensuring safe and quiet operation.



XtraSanitary®

Using a thermostat-controlled, intelligent sensor for improved precision, this innovative cycle heats up the water to 170° F and maintains this temperature for exactly three minutes. After killing 99.9% of most common household bacteria, the water temperature is reduced to a gentler 150° F to prevent fabric breakdown.

10-year Motor Warranty

Bosch's ESM (Energy Saving Motor) is so efficient and durable, we guarantee it to work in your washer or dryer worry-free for 10 years. German engineering brings you quality that lasts.

Good Housekeeping Seal

Many Bosch washers and dryers are backed by the Good Housekeeping Seal—a two-year limited warranty.



NSF-certified

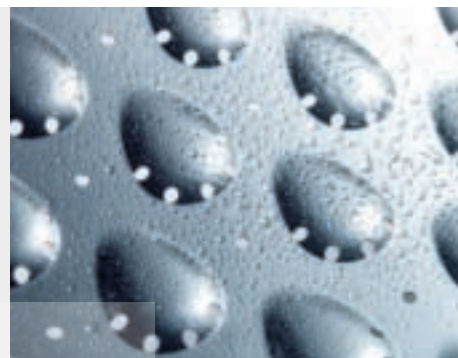
Bosch washers have been certified by the NSF to eliminate 99.9% of the most common bacteria when run on the XtraSanitary cycle, while eliminating any carryover of bacteria into future loads. The NSF is an independent, not-for-profit organization, one of the most respected independent certification companies in existence today.



Compact

Bosch stackable compact laundry pairs have an exceptionally small footprint, saving valuable floor space while enjoying excellent cleaning results. And with its large capacity, the compact Axxis® washer easily fits up to 14 pairs of jeans in one load.





Convenience



Condensation drying

The compact condensation clothes dryer condenses the moisture in the hot air to water and releases it through the water drain. No ducting and no blower is necessary to help expel hot air. This makes installation easy, fast, and very cost-effective.



Touch controls

Compact washers are extremely easy to use, thanks to their convenient Touch Controls. Easily activate each cycle with just the touch of a button, then use the easy-to-read display to view your selection and monitor your progress.



WrinkleBlock®

Compact dryers have up to a two-hour extended WrinkleBlock to help keep your clothes wrinkle free.

Gentle Care



Unique structured drum

The compact washer features a raindrop drum pattern that resists snags, for powerful cleaning that protects your clothes. Depending on the cycle, the washer adjusts the direction of the drum rotation, using the steeper edges for heavy-duty jobs or the shallow edges for delicate fabrics that require gentler care.

Low-heat option

The low-heat option performs safely on your most delicate fabrics, providing the ultimate in fabric care.

Tailored washing programs

With up to 15 different tailored washer programs and up to 11 different tailored dryer programs, Bosch offers the flexibility and fabric care that specifically meet your needs.



AntiVibration Design

Innovative built-in circular side boards provide unsurpassed stability to ensure near-silent spin cycles. Reduces vibration by up to 30%.

Efficiency



ENERGY STAR® Qualified

Bosch clothes washers are ultra-efficient. In fact, they exceed ENERGY STAR® requirements by up to 76%.

SensoTronic® Plus

The Bosch SensoTronic Plus is a network of sensors that continuously analyzes the wash by determining the weight, balance, and temperature, as well as the level of water and suds. Optimal adjustments are made automatically for maximum efficiency and effective washing.

Full Size Washer Specifications



Green
technology
inside



Green
technology
inside



Green
technology
inside

DLX



	800 Series with AquaStop®	500 Series with AquaStop®	500 Series with AquaShield®
Model Numbers	<ul style="list-style-type: none"> – WFVC8440UC White – WFVC844PUC Sky 	<ul style="list-style-type: none"> – WFVC5440UC White – WFVC544CUC Sepia – WFVC544AUC Anthracite 	<ul style="list-style-type: none"> – WFVC6450UC White
Appearance	<ul style="list-style-type: none"> – 4.4 cu. ft. Drum Capacity* – 15 Wash Cycles and 10 Options 	<ul style="list-style-type: none"> – 4.4 cu. ft. Drum Capacity* – 15 Wash Cycles and Six Options 	<ul style="list-style-type: none"> – 4.4 cu. ft. Drum Capacity* – 15 Wash Cycles and Six Options
Efficiency	<ul style="list-style-type: none"> – Intelligent Network of Sensors Makes Bosch the Most Efficient Brand in the U.S. – EcoAction® Option Reduces Energy Usage by up to 20% – ActiveWater® Turns 13 Gal. into 400 Gal. of Washing Power 	<ul style="list-style-type: none"> – Intelligent Network of Sensors Makes Bosch the Most Efficient Brand in the U.S. – EcoAction® Option Reduces Energy Usage by up to 20% – ActiveWater® Turns 13 Gal. into 400 Gal. of Washing Power 	<ul style="list-style-type: none"> – Intelligent Network of Sensors Makes Bosch the Most Efficient Brand in the U.S. – EcoAction® Option Reduces Energy Usage by up to 20% – ActiveWater® Turns 13 Gal. into 400 Gal. of Washing Power
Performance	<ul style="list-style-type: none"> – ActiveClean™ Engineering for Better Cleaning Performance – Stain Removal Option Targets the Widest Variety of Stains in Just One Cycle – XtraSanitary® Cycle Heats Wash Water up to 170° F – Up to 1,200 rpm Maximum Spin Speed – Comforter Cycle to Deep Clean Bulky Items Like Comforters – Quick Full Cycle Cleans Any Size Load in 45 Min. Every Time – Active Wear Cycle Designed to Clean Exercise & Sport Clothes – Allergy Rinse Option Removes Any Trace of Detergent – BabyCare™ Cycle Cleans with Extra Water & High Temperatures – Dark Color Cycle Cleans and Prevents Fading of Dark Fabrics 	<ul style="list-style-type: none"> – ActiveClean™ Engineering for Better Cleaning Performance – Stain Removal Option Targets the Widest Variety of Stains in Just One Cycle – XtraSanitary® Cycle Heats Wash Water up to 170° F – Up to 1,150 rpm Maximum Spin Speed – Comforter Cycle to Deep Clean Bulky Items Like Comforters – Jeans Cycle Cleans Denim While Reducing Fading and Wrinkling – Quick Full Cycle Cleans Any Size Load in 45 Min. Every Time – Quick Light Cycle for Small Light Soil Loads in Only 20 Min. – Allergy Rinse Option Removes Any Trace of Detergent – BabyCare™ Cycle Cleans with Extra Water & High Temperatures 	<ul style="list-style-type: none"> – ActiveClean™ Engineering for Better Cleaning Performance – Stain Removal Option Targets the Widest Variety of Stains in Just One Cycle – XtraSanitary® Cycle Heats Wash Water up to 170° F – Up to 1,200 rpm Maximum Spin Speed – Drum Sanitize Cycle Heats Water to 175° F to Clean the Drum – Comforter Cycle to Deep Clean Bulky Items Like Comforters – Quick Full Cycle Cleans Any Size Load in 45 Min. Every Time – Quick Light Cycle for Small Light Soil Loads in Only 20 Min. – Allergy Rinse Option Removes Any Trace of Detergent – BabyCare™ Cycle Cleans with Extra Water & High Temperatures – Cold Intensive Cycle Cleans Aggressively with Cold Water
Thoughtful Engineering	<ul style="list-style-type: none"> – AquaStop® Leak Protection System Prevents Major Water Damage – AVS™ Anti-Vibration System for Near Silent Operation – 10-year Motor Warranty 	<ul style="list-style-type: none"> – AquaStop® Leak Protection System Prevents Major Water Damage – AVS™ Anti-Vibration System for Near Silent Operation – 10-year Motor Warranty 	<ul style="list-style-type: none"> – AquaShield® Leak Sensor Prevents Major Water Damage – AVS™ Anti-Vibration System for Near Silent Operation – 10-year Motor Warranty
Accessories	<ul style="list-style-type: none"> – WTZ1610 15" White Pedestal – WTZ1610P 15" Sky Pedestal – WTZ1600 White Stacking Kit w/ Pull-out Tray – WTZ1600P Sky Stacking Kit w/ Pull-out Tray – WTZ1601 Stacking Kit – WTZ1275 Mobile Home Kit 	<ul style="list-style-type: none"> – WTZ1600 White Stacking Kit w/ Pull-out Tray – WTZ1600C Sepia Stacking Kit w/ Pull-out Tray – WTZ1600A Anth. Stacking Kit w/ Pull-out Tray – WTZ1610 15" White Pedestal – WTZ1610C 15" Sepia Pedestal – WTZ1610A 15" Anthracite Pedestal – WTZ1601 Stacking Kit – WTZ1275 Mobile Home Kit 	<ul style="list-style-type: none"> – WTZ1610 15" White Pedestal – WTZ1600 White Stacking Kit w/ Pull-out Tray – WTZ1601 Stacking Kit – WTZ1275 Mobile Home Kit – WTZ1640 AquaStop® Hose–Washer

*Capacity based on IEC method of measurement.



DLX



500 Series	300 Series	300 Series
<ul style="list-style-type: none"> – WFVC5400UC White – WFVC540SUC Silver 	<ul style="list-style-type: none"> – WFVC4400UC White 	<ul style="list-style-type: none"> – WFVC3300UC White
<ul style="list-style-type: none"> – 4.4 cu. ft. Drum Capacity* – 15 Wash Cycles and Six Options 	<ul style="list-style-type: none"> – 4.4 cu. ft. Drum Capacity* – 15 Wash Cycles and Four Options 	<ul style="list-style-type: none"> – 4.4 cu. ft. Drum Capacity* – 11 Wash Cycles and Four Options
<ul style="list-style-type: none"> – Intelligent Network of Sensors Makes Bosch the Most Efficient Brand in the U.S. – EcoAction® Option Reduces Energy Usage by up to 20% – ActiveWater® Turns 13 Gal. into 400 Gal. of Washing Power 	<ul style="list-style-type: none"> – Intelligent Network of Sensors Makes Bosch the Most Efficient Brand in the U.S. – EcoAction® Option Reduces Energy Usage by up to 20% – ActiveWater® Turns 13 Gal. into 400 Gal. of Washing Power 	<ul style="list-style-type: none"> – Intelligent Network of Sensors Makes Bosch the Most Efficient Brand in the U.S. – EcoAction® Option Reduces Energy Usage by up to 20% – ActiveWater® Turns 13 Gal. into 400 Gal. of Washing Power
<ul style="list-style-type: none"> – ActiveClean™ Engineering for Better Cleaning Performance – Stain Removal Option Targets the Widest Variety of Stains in Just One Cycle – XtraSanitary® Cycle Heats Wash Water up to 170° F – Up to 1,150 rpm Maximum Spin Speed – Comforter Cycle to Deep Clean Bulky Items Like Comforters – Jeans Cycle Cleans Denim While Reducing Fading and Wrinkling – Quick Full Cycle Cleans Any Size Load in 45 Min. Every Time – Quick Light Cycle for Small Light Soil Loads in Only 20 Min. – Allergy Rinse Option Removes Any Trace of Detergent – BabyCare™ Cycle Cleans with Extra Water & High Temperatures 	<ul style="list-style-type: none"> – ActiveClean™ Engineering for Better Cleaning Performance – XtraSanitary® Cycle Heats Wash Water up to 170° F – Up to 1,150 rpm Maximum Spin Speed – Drum Sanitize Cycle Heats Water to 175° F to Clean the Drum – Jeans Cycle Cleans Denim While Reducing Fading and Wrinkling – Quick Full Cycle Cleans Any Size Load in 45 Min. Every Time – Active Wear Cycle Designed to Clean Exercise & Sport Clothes – Allergy Rinse Option Removes Any Trace of Detergent – BabyCare™ Cycle Cleans with Extra Water & High Temperatures 	<ul style="list-style-type: none"> – ActiveClean™ Engineering for Better Cleaning Performance – XtraSanitary® Cycle Heats Wash Water up to 170° F – Up to 1,100 rpm Maximum Spin Speed – Quick Full Cycle Cleans Any Size Load in 45 Min. Every Time – Allergy Rinse Option Removes Any Trace of Detergent – Delicate Cycle Gently Washes Hand Wash & Special-care Items – Drain/Spin Cycle Drains and Spins Moisture Out of Clothes
<ul style="list-style-type: none"> – AVS™ Anti-Vibration System for Near Silent Operation – 10-year Motor Warranty 	<ul style="list-style-type: none"> – AVS™ Anti-Vibration System for Near Silent Operation – 10-year Motor Warranty 	<ul style="list-style-type: none"> – AVS™ Anti-Vibration System for Near Silent Operation – 10-year Motor Warranty
<ul style="list-style-type: none"> – WTZ1600 White Stacking Kit w/ Pull-out Tray – WTZ1600S Silver Stacking Kit w/ Pull-out Tray – WTZ1610 15" White Pedestal – WTZ1610S 15" Silver Pedestal – WTZ1601 Stacking Kit – WTZ1275 Mobile Home Kit – WTZ1640 AquaStop® Hose–Washer 	<ul style="list-style-type: none"> – WTZ1610 15" White Pedestal – WTZ1600 White Stacking Kit w/ Pull-out Tray – WTZ1601 Stacking Kit – WTZ1275 Mobile Home Kit – WTZ1640 AquaStop® Hose–Washer 	<ul style="list-style-type: none"> – WTZ1610 15" White Pedestal – WTZ1600 White Stacking Kit w/ Pull-out Tray – WTZ1601 Stacking Kit – WTZ1275 Mobile Home Kit – WTZ1640 AquaStop® Hose–Washer

Laundry



Full Size Dryer Specifications



DLX



	800 Series with Steam	500 Series with Steam	500 Series with Steam
Model Numbers	<ul style="list-style-type: none"> – WTVC8330US White (Electric) – WTVC8530UC White (Gas) – WTVC833PUS Sky (Electric) – WTVC853PUC Sky (Gas) 	<ul style="list-style-type: none"> – WTVC5330US/5530UC White (Elec./Gas) – WTVC533SUS/553SUC Silver (Elec./Gas) – WTVC533CUC/553CUC Sepia (Elec./Gas) – WTVC533AUS/553AUC Anthracite (Elec./Gas) 	<ul style="list-style-type: none"> – WTVC6330US White (Electric) – WTVC6530UC White (Gas)
Appearance	<ul style="list-style-type: none"> – 6.7 cu. ft. Drum Capacity* – 15 Drying Cycles and Eight Options 	<ul style="list-style-type: none"> – 6.7 cu. ft. Drum Capacity* – 15 Drying Cycles and Three Options 	<ul style="list-style-type: none"> – 6.7 cu. ft. Drum Capacity* – 15 Drying Cycles and Three Options
Efficiency	<ul style="list-style-type: none"> – Intelligent Network of Sensors Makes Bosch the Most Efficient Brand in the U.S. – EcoAction® Option Reduces Energy Usage by up to 10% – Bosch is the 2010 ENERGY STAR® Partner of the Year 	<ul style="list-style-type: none"> – Intelligent Network of Sensors Makes Bosch the Most Efficient Brand in the U.S. – EcoAction® Option Reduces Energy Usage by up to 10% – Bosch is the 2010 ENERGY STAR® Partner of the Year 	<ul style="list-style-type: none"> – Intelligent Network of Sensors Makes Bosch the Most Efficient Brand in the U.S. – EcoAction® Option Reduces Energy Usage by up to 10% – Bosch is the 2010 ENERGY STAR® Partner of the Year
Performance	<ul style="list-style-type: none"> – DynamicAir™ Gently Dries Clothes Using Moderate Heat and High Air Volume – ActiveDry® Engineering for Perfect Drying – Air Fluff/No Heat Drying Cycle – Wool Cycle for Gentle Drying of Delicates – Steam Refresh Relaxes Wrinkles and Removes Odors in 16 Minutes – Steam Wrinkle Relax Cycle Relaxes Wrinkles in Only 12 Minutes – Steam Touch Up Refreshes a Full Load in Just 20 Minutes – Delicates Option Dries Items Usually Line Dried – Active Wear Cycle Designed to Dry Exercise & Sport Clothes – Dark Color Cycle Dries While Preventing Fading of Dark Fabrics 	<ul style="list-style-type: none"> – DynamicAir™ Gently Dries Clothes Using Moderate Heat and High Air Volume – ActiveDry® Engineering for Perfect Drying – Air Fluff/No Heat Drying Cycle – Jeans Cycle Dries Denim While Reducing Fading and Wrinkling – Steam Refresh Relaxes Wrinkles and Removes Odors in 16 Minutes – Steam Wrinkle Relax Cycle Relaxes Wrinkles in Only 12 Minutes – Steam Touch Up Refreshes a Full Load in Just 20 Minutes – Delicates Option Dries Items Usually Line Dried 	<ul style="list-style-type: none"> – DynamicAir™ Gently Dries Clothes Using Moderate Heat and High Air Volume – ActiveDry® Engineering for Perfect Drying – Air Fluff/No Heat Drying Cycle – Jeans Cycle Dries Denim While Reducing Fading and Wrinkling – Steam Refresh Relaxes Wrinkles and Removes Odors in 16 Minutes – Steam Wrinkle Relax Cycle Relaxes Wrinkles in Only 12 Minutes – Steam Touch Up Refreshes a Full Load in Just 20 Minutes – Delicates Option Dries Items Usually Line Dried
Thoughtful Engineering	<ul style="list-style-type: none"> – Three-way Venting for Easy Installation—Back, Right, Bottom – Extended WrinkleBlock® up to One Hour—Tumbling Reduces Wrinkles – Includes Dryer Rack – Heat Sensors and Intelligent Controls Prevent Overheating – 10-year Motor Warranty 	<ul style="list-style-type: none"> – Three-way Venting for Easy Installation—Back, Right, Bottom – Extended WrinkleBlock® up to One Hour—Tumbling Reduces Wrinkles – Heat Sensors and Intelligent Controls Prevent Overheating – 10-year Motor Warranty 	<ul style="list-style-type: none"> – Three-way Venting for Easy Installation—Back, Right, Bottom – Extended WrinkleBlock® up to One Hour—Tumbling Reduces Wrinkles – Includes Dryer Rack – Heat Sensors and Intelligent Controls Prevent Overheating – 10-year Motor Warranty
Accessories	<ul style="list-style-type: none"> – WTZ1610 15" White Pedestal – WTZ1610P 15" Sky Pedestal – WTZ1600 White Stacking Kit w/ Pull-out Tray – WTZ1600P Sky Stacking Kit with Pull-out Tray – WTZ1601 Stacking Kit – WTZ1270 Bottom Exhaust Kit – WTZ1275 Mobile Home Kit – WTZ1630 AquaStop® Hose—Dryer 	<ul style="list-style-type: none"> – WTZ1610 15" White Pedestal – WTZ1610S 15" Silver Pedestal – WTZ1610C 15" Sepia Pedestal – WTZ1610A 15" Anthracite Pedestal – WTZ1600 White Stacking Kit w/ Pull-out Tray – WTZ1600S Silver Stacking Kit w/ Pull-out Tray – WTZ1600C Sepia Stacking Kit w/ Pull-out Tray – WTZ1600A Anth. Stacking Kit w/ Pull-out Tray – WTZ1601 Stacking Kit – WTZ1270 Bottom Exhaust Kit – WTZ1275 Mobile Home Kit – WTZ1630 AquaStop® Hose—Dryer 	<ul style="list-style-type: none"> – WTZ1610 15" White Pedestal – WTZ1600 White Stacking Kit w/ Pull-out Tray – WTZ1601 Stacking Kit – WTZ1270 Bottom Exhaust Kit – WTZ1275 Mobile Home Kit – WTZ1630 AquaStop® Hose—Dryer

*Capacity based on IEC method of measurement.

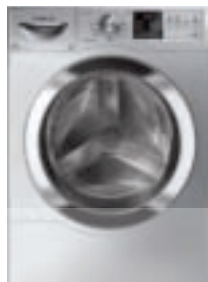


Colors

Accessories



White
(WFVC8440UC Model Shown)



Silver
(WFVC540SUC Model Shown)



Sepia
(WFVC544CUC Model Shown)



Anthracite
(WFVC544AUC Model Shown)



Sky
(WFVC844PUC Model Shown)



Stacking Kits with Pull-out Tray Available
(See washer and dryer specifications for model numbers.)



15" Pedestals Available
(See washer and dryer specifications for model numbers.)



Stacking Kit
(WTZ1601 Model Shown)



Bottom Exhaust Kit
(WTZ1270 Model Shown)



Mobile Home Kit
(WTZ1275 Model Shown)



AquaStop® Hose—Washer
(WTZ1640 Model Shown)

AquaStop® Hose—Dryer
(WTZ1630 Model Shown)



300 Series

- WTVC4300US White (Electric)
- WTVC4500UC White (Gas)



- 6.7 cu. ft. Drum Capacity*
- 11 Drying Cycles and Three Options

- Intelligent Network of Sensors Makes Bosch the Most Efficient Brand in the U.S.
- EcoAction® Option Reduces Energy Usage by up to 10%
- Bosch is the 2010 ENERGY STAR® Partner of the Year

- DynamicAir™ Gently Dries Clothes Using Moderate Heat and High Air Volume
- ActiveDry® Engineering for Perfect Drying
- Air Fluff/No Heat Drying Cycle
- Delicates Option Dries Items Usually Line Dried

- Three-way Venting for Easy Installation—Back, Right, Bottom
- Extended WrinkleBlock® up to One Hour—Tumbling Reduces Wrinkles
- Includes Dryer Rack
- Heat Sensors and Intelligent Controls Prevent Overheating
- 10-year Motor Warranty

- WTZ1610 15" White Pedestal
- WTZ1600 White Stacking Kit w/ Pull-out Tray
- WTZ1601 Stacking Kit
- WTZ1270 Bottom Exhaust Kit
- WTZ1275 Mobile Home Kit

300 Series

- WTVC3300US White (Electric)
- WTVC3500UC White (Gas)



- 6.7 cu. ft. Drum Capacity*
- 11 Drying Cycles and Three Options

- Intelligent Network of Sensors Makes Bosch the Most Efficient Brand in the U.S.
- EcoAction® Option Reduces Energy Usage by up to 10%
- Bosch is the 2010 ENERGY STAR® Partner of the Year

- DynamicAir™ Gently Dries Clothes Using Moderate Heat and High Air Volume
- ActiveDry® Engineering for Perfect Drying
- Air Fluff/No Heat Drying Cycle
- Delicates Option Dries Items Usually Line Dried

- Three-way Venting for Easy Installation—Back, Right, Bottom
- Extended WrinkleBlock® up to One Hour—Tumbling Reduces Wrinkles
- Heat Sensors and Intelligent Controls Prevent Overheating
- 10-year Motor Warranty

- WTZ1610 15" White Pedestal
- WTZ1600 White Stacking Kit w/ Pull-out Tray
- WTZ1601 Stacking Kit
- WTZ1270 Bottom Exhaust Kit
- WTZ1275 Mobile Home Kit

A Madison Home Authority™
800-570-3355

Laundry

Compact Washer Specifications



Model Numbers	– WAS24460UC White	– WAS20160UC White	– WFL2090UC White
Appearance	<ul style="list-style-type: none"> – 3.4 cu. ft. Drum Capacity* – 15 Wash Cycles and Seven Options – Stainless Steel Structured Drum 	<ul style="list-style-type: none"> – 3.4 cu. ft. Drum Capacity* – 15 Wash Cycles and Five Options – Stainless Steel Structured Drum 	<ul style="list-style-type: none"> – 2.1 cu. ft. Drum Capacity* – 15 Wash Cycles and Four Options – Stainless Steel Drum
Efficiency	<ul style="list-style-type: none"> – Exceeds ENERGY STAR® 2011 Guidelines– Uses only 130 kWh/yr – Bosch Washers Exceed Federal Energy Standards by up to 76% – Up to 1,200 RPM Maximum Spin Speed – Advanced SensoTronic® II Plus Analyzes Washer for Appropriate Level and Temperature of Water – Internal Water Heater Heats Water Quickly and Efficiently 	<ul style="list-style-type: none"> – Exceeds ENERGY STAR® 2011 Guidelines– Uses only 125 kWh/yr – Bosch Washers Exceed Federal Energy Standards by up to 70% – Up to 1,000 RPM Maximum Spin Speed – Advanced SensoTronic® II Plus Analyzes Washer for Appropriate Level and Temperature of Water – Internal Water Heater Heats Water Quickly and Efficiently 	<ul style="list-style-type: none"> – Exceeds ENERGY STAR® 2011 Guidelines– Uses only 121 kWh/yr – Bosch Washers Exceed Federal Energy Standards by up to 61% – Up to 1,000 RPM Maximum Spin Speed – Advanced SensoTronic® II Plus Analyzes Washer for Appropriate Level and Temperature of Water – Internal Water Heater Heats Water Quickly and Efficiently
Quietness	<ul style="list-style-type: none"> – Virtually Silent: 56 dBA – AntiVibration Design Reduces Vibration by up to 30% 	<ul style="list-style-type: none"> – Virtually Silent: 56 dBA – AntiVibration Design Reduces Vibration by up to 30% 	<ul style="list-style-type: none"> – Virtually Silent: 56 dBA
Gentle Care	<ul style="list-style-type: none"> – Unique Raindrop Drum Pattern that Resists Snags for Powerful Cleaning – Sanitary Cycle Heats Wash Water Up to 161° F to Kill Bacteria – KidsCare® Cycle Heats the Wash Water Up to 140° F to Remove Toughest Stains – Refresh Cycle Refreshes Loads Up to 4 lbs – Sport Wear Cycle – Dark Color Cycle Prevents Fading – Silk/Satin Cycle for Sensitive Fabrics – Wool/Handwash Cycle – Quick Wash Cycle for Small Light Soil Loads – Heavy Duty Option Targets the Toughest Stains with Just a Touch of a Button – Reduced Ironing Option Extended Fluffing – Rinse Plus Option Improves Rinsing 	<ul style="list-style-type: none"> – Unique Raindrop Drum Pattern that Resists Snags for Powerful Cleaning – Sanitary Cycle Heats Wash Water Up to 161° F to Kill Bacteria – KidsCare® Cycle Heats the Wash Water Up to 140° F to Remove Toughest Stains – Refresh Cycle Refreshes Loads Up to 4 lbs – Wool/Handwash Cycle – Heavy Duty Option Targets the Toughest Stains with Just a Touch of a Button – Reduced Ironing Option Extended Fluffing – Rinse Plus Option Improves Rinsing 	<ul style="list-style-type: none"> – High Quality, Snag Free Stainless Steel Drum – Power Temp. Boost Cycle Heats Wash Water Up to 161° F to Kill Bacteria – Temp. Boost Cycle Heats the Wash Water Up to 140° F to Remove Toughest Stains – Refresh Cycle Refreshes Up to 4 lbs of Lightly Soiled Laundry – Wool/Handwash Cycle – Rinse Plus Option Improves Rinsing
Convenience	<ul style="list-style-type: none"> – LED Display–Easy to Read – Stackable–Space Saving/Easy Installation – Touch Control Technology–Easily Activate Each Cycle With Just The Touch of a Button – Pull-out Tray** for Use as a Laundry Shelf or Folding Table – Washer Plugs into Dryer 	<ul style="list-style-type: none"> – Stackable–Space Saving/Easy Installation – Touch Control Technology–Easily Activate Each Cycle With Just The Touch of a Button – Pull-out Tray** for Use as a Laundry Shelf or Folding Table – Washer Plugs into Dryer 	<ul style="list-style-type: none"> – Stackable–Space Saving/Easy Installation
Accessories	<ul style="list-style-type: none"> – WMZ20460 12" White Pedestal – WTZ11300UC White Stacking Kit w/ Pull-out Tray – WTZ11310UC Stacking Kit – WTZ1640 AquaStop® Hose–Washer 	<ul style="list-style-type: none"> – WMZ20460 12" White Pedestal – WTZ11300UC White Stacking Kit w/ Pull-out Tray – WTZ11310UC Stacking Kit – WTZ1640 AquaStop® Hose–Washer 	<ul style="list-style-type: none"> – WTZ11300UC White Stacking Kit w/ Pull-out Tray – WTZ11310UC Stacking Kit – WTZ1640 AquaStop® Hose–Washer

* Capacity is based on IEC method of measurement. **Accessories Purchased Separately.

Compact Dryer Specifications



Accessories



Stacking Kit with Pull-out Tray
(WTZ11300UC Model Shown)








Stacking Kit
(WTZ11310UC Model Shown)



12" White Pedestal
(WMZ20460 Model Shown)



AquaStop® Hose-Washer
(WTZ1640 Model Shown)

Model Numbers	– WTE86300US White (Condensation)	– WTV76100US White (Vented)
	  	 
Appearance	<ul style="list-style-type: none"> – 3.9 cu. ft. Drum Capacity* – 11 Drying Cycles and Three Drying Options – Stainless Steel Structured Drum – See-thru Door 	<ul style="list-style-type: none"> – 3.9 cu. ft. Drum Capacity* – Nine Drying Cycles and One Drying Option – Stainless Steel Structured Drum – See-thru Door
Efficiency	– Electronic Moisture Sensor Monitors the Drying Process to Prevent Wasting Energy and Overdrying	– Electronic Moisture Sensor Monitors the Drying Process to Prevent Wasting Energy and Overdrying
Quietness	– Virtually Silent: 67 dBA	– Virtually Silent: 67 dBA
Gentle Care	<ul style="list-style-type: none"> – High Quality, One Piece Snag Free Stainless Steel Drum – Unique Structured Drum Pattern Creates an Air Cushion to Protect Your Clothes – 118 CFM Gently Dries Clothes Using Moderate Heat and High Air Volume – Heat Sensors and Intelligent Controls Prevent Overheating – Touch Up Cycle Reduces Drying Time for Lighter Loads – Wool Cycle to Gently Dry Delicates – Delicates/Low Heat Option Reduces Heat on Specified Program – Easy Ironing Option Prepares Clothes to be Ironed – Extended WrinkleBlock® Up to 120 Min. Tumbling Reduces Wrinkles 	<ul style="list-style-type: none"> – High Quality, One Piece Snag Free Stainless Steel Drum – Unique Structured Drum Pattern Creates an Air Cushion to Protect Your Clothes – 110 CFM Gently Dries Clothes Using Moderate Heat and High Air Volume – Heat Sensors and Intelligent Controls Prevent Overheating – Touch Up Cycle Reduces Drying Time for Lighter Loads – Delicates/Low Heat Option Reduces Heat on Specified Program – Extended WrinkleBlock® Up to 60 Min. Tumbling Reduces Wrinkles
Convenience	<ul style="list-style-type: none"> – Condensation Dryer—Requiring No Ducting and No Blower—Easy and Cost-Effective Installation – LED Display—Easy to Read – Stackable—Space Saving/Easy Installation – Touch Control Technology Easily Activate Each Cycle With Just The Touch of a Button – Pull-out Tray** for Use as a Laundry Shelf or Folding Table 	<ul style="list-style-type: none"> – Stackable—Space Saving/Easy Installation – Touch Control Technology Easily Activate Each Cycle With Just The Touch of a Button – Pull-out Tray** for Use as a Laundry Shelf or Folding Table
Accessories	<ul style="list-style-type: none"> – WMZ20460 12" White Pedestal – WTZ11300UC White Stacking Kit w/ Pull-out Tray – WTZ11310UC Stacking Kit 	<ul style="list-style-type: none"> – WMZ20460 12" White Pedestal – WTZ11300UC White Stacking Kit w/ Pull-out Tray – WTZ11310UC Stacking Kit





Take it from our engineers, there's inspiration in that first cup of coffee. Whether you are looking for a beautifully stylish Bosch built-in coffeemaker to serve you your favorite cup of java in the morning or the amazingly versatile Tassimo, we take your taste – and your beans – seriously. Coffee, espresso, cappuccinos, lattes – take your pick, and we'll brew it with the touch of a button. Like our coffeemakers, the kitchen machine is another one of our small appliances that brings modern design and innovation to your kitchen.

Small Appliances

Coffee Machines | Kitchen Machines



Aj Madison
Your Appliance Authority™
800-570-3355

It's your kitchen. It just smells like an Italian cafe.





Benvenuto® Built-in and Freestanding Coffee Machines

AromaSwirl®

This special system completely engulfs each coffee ground in hot water and then brews them in a pressurized chamber. The result is coffee made under perfect conditions.

Your brew, your way

By using the coffee selection knob, you can choose the exact size and strength of beverage. Brewed for you, by you.

Choose your perfect grind

The Benvenuto® works equally well with whole beans or pre-ground coffee. You have complete control over the amount of coffee used for each cup, as well as the coarseness of the grind.

One-touch operation

The Bosch Benvenuto® is so simple, anyone can use it. You can start the entire brewing process with just the push of a button.

Tassimo®

Single-serve Coffee Machines

Smart bar code scanner

Each T DISC has a unique bar code that the TASSIMO machine reads and then adjusts the brew temperature and amount of water. It makes the perfect cup every time.

Large variety of high-quality beverages

Tassimo is the only home brewing system that gives everyone exactly what they want. Creating the perfect caffe crema, espresso, coffee, latte, cappuccino, tea, and hot chocolate has never been easier.

Customized beverage strength

You can interrupt or extend the cycle of your coffee, cappuccino, latte, macchiato, hot chocolate or tea to your taste.

Flow-Through Water Heater

Near-instant brewing the moment the machine is powered on means no pre-heat time. And when you're ready to enjoy another cup, there's virtually no wait time between beverages.

It does everything but cook the food.



Universal Kitchen Machines

Powerful motor function

800 watts of motor power and a 6.5-quart mixing bowl can handle up to 15 lbs. of dough.

Mixing protection

Safety is important. The mixer is designed so it works only when the top is closed. Strong suction feet on the base add stability.

Dishwasher-friendly

All parts and accessories are safe for the dishwasher, and the removable axle makes it a lot easier to clean.

Optional blender

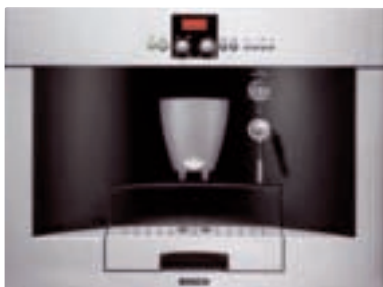
To add more versatility, like making frozen drinks, smoothies, milkshakes or a variety of sauces and dips, the blender is the perfect accompaniment.

Easy-on and -off accessories

From food processors perfect for chopping and mixing to meat grinders that allow you to grind and mince fresh meats, to noodle attachments that allow you to create pasta in a variety of shapes, our accessories can prepare food in almost every conceivable manner.

Aj Madison
Small Appliances Authority
800-570-3355

Small Appliances Specifications



	Benvenuto® Built-in Coffee Machine	Benvenuto® Freestanding Coffee Machine	Benvenuto® Freestanding Coffee Machine
Model Numbers	– TKN68E75UC Stainless Steel	– B30 TCA6001UC Anthracite	– B20 TCA6301UC Anthracite
Convenience	<ul style="list-style-type: none"> – Easy to Use Multilingual Digital Display – Single Portion Cleaning – Freshly Brewed Coffee and Espresso at the Push of a Button – Rotary Knobs for Selecting All Functions – Separate Large Chambers for Coffee Beans (14 oz.) and Ground Coffee – Separate Container for Second Ground Coffee Flavor or Decaf – Removable Water Tank for Easy Filling (½ gallon) – Height-adjustable Coffee Dispenser – Automatic Descaling Program – Automatic Cleaning Program – Fully Automatic Rinse Program at Turn-on and Turn-off – Includes: Measuring Spoon, Water Filter, Two Cleaning Tablets – Eight Coffee Temperature Levels 	<ul style="list-style-type: none"> – Easy to Use Multilingual Digital Display – Single Portion Cleaning – Freshly Brewed Coffee and Espresso at the Push of a Button – Rotary Knobs for Selecting All Functions – Separate Container for Second Ground Coffee Flavor or Decaf – Removable Water Tank for Easy Filling (½ gallon) – Cup Warming Plate for Pre-heating Cups – Height-adjustable Coffee Dispenser – Automatic Descaling Program – Automatic Cleaning Program – Fully Automatic Rinse Program at Turn-on and Turn-off – Includes: Measuring Spoon, Water Filter, Two Cleaning Tablets – Eight Coffee Temperature Levels 	<ul style="list-style-type: none"> – Single Portion Cleaning – Freshly Brewed Coffee and Espresso at the Push of a Button – Rotary Knobs for Selecting All Functions – Separate Container for Second Ground Coffee Flavor or Decaf. – Removable Water Tank for Easy Filling (½ gallon) – Cup Warming Plate for Pre-heating Cups – Height-adjustable Coffee Dispenser – Easy to Use Symbol Display – Automatic Descaling Program – Automatic Cleaning Program – Fully Automatic Rinse Program at Turn-on and Turn-off – Includes: Measuring Spoon, Water Filter, Two Cleaning Tablets
Performance	<ul style="list-style-type: none"> – AromaSwirl® Brewing System for Maximum Flavor Extraction – 215 psi (15 bar) Thermo Block-pump Pressure System – Steam and Hot Water Function – Automatic Grinding System, Holds up to 14 oz. Fresh Coffee Beans: Degree of Grinding Selectable – 12-cup Size and Levels of Coffee Strength (Grind Quantity)—Smooth to Super Strong 	<ul style="list-style-type: none"> – AromaSwirl® Brewing System for Maximum Flavor Extraction – 215 psi (15 bar) Thermo Block-pump Pressure System – Steam and Hot Water Function – Automatic Grinding System, Holds up to 9 oz. Fresh Coffee Beans: Degree of Grinding Selectable – 12-cup Size and Levels of Coffee Strength (Grind Quantity)—Smooth to Super Strong 	<ul style="list-style-type: none"> – AromaSwirl® Brewing System for Maximum Flavor Extraction – 215 psi (15 bar) Thermo Block-pump Pressure System – Steam and Hot Water Function – Automatic Grinding System, Holds up to 9 oz. Fresh Coffee Beans: Degree of Grinding Selectable – 12-cup Size and Levels of Coffee Strength (Grind Quantity)—Smooth to Super Strong – Stand-by Function

Small Appliances Specifications



	T65 Tassimo® Single-serve Coffee Machine	T45 Tassimo® Single-serve Coffee Machine	T20 Tassimo® Single-serve Coffee Machine
Model Numbers	<ul style="list-style-type: none"> – T65 TAS6515UC Titanium 	<ul style="list-style-type: none"> – T45 TAS4511UC Silver – T45 TAS4513UC Red 	<ul style="list-style-type: none"> – T20 TAS2002UC Black
Appearance	<ul style="list-style-type: none"> – Space-saving Design in a Sophisticated Color 	<ul style="list-style-type: none"> – Space-saving Design in a Sophisticated Color 	<ul style="list-style-type: none"> – Space-saving Design in a Sophisticated Color
Convenience	<ul style="list-style-type: none"> – Multilingual LC Display—Guides Users Through All Functions and Service Steps in Five Languages – Fully Automatic One-button Operation – Cup Light Stand—Lights Above the Cup Stand for Illumination – Intelligent Drink Identification Bar Code Reader Identifies the Size of Drink, Brewing Time, and Precise Temperature to Make the Perfect Beverage – Variable Drink Strength: Fully Automatic Brew Cycle Can Be Interrupted or Extended at Any Time – Water Filtration System 	<ul style="list-style-type: none"> – Fully Automatic One-button Operation – Intelligent Drink Identification Bar Code Reader Identifies the Size of Drink, Brewing Time, and Precise Temperature to Make the Perfect Beverage – Variable Drink Strength: Fully Automatic Brew Cycle Can Be Interrupted or Extended at Any Time – Water Filtration System 	<ul style="list-style-type: none"> – Fully Automatic One-button Operation – Intelligent Drink Identification Bar Code Reader Identifies the Size of Drink, Brewing Time, and Precise Temperature to Make the Perfect Beverage – Variable Drink Strength: Fully Automatic Brew Cycle Can Be Interrupted or Extended at Any Time
Performance	<ul style="list-style-type: none"> – Large Variety of High-quality Hot Beverages: Freshly Brewed Coffee, Espresso, Cappuccino, Latte Macchiato, Hot Chocolate or Tea Right Away – Innovative Flow-Through Water Heater Ready to Go the Moment the Machine is Switched On and Virtually No Heat-up Time Between Drinks – Low Energy Consumption—Automatically Reverts to Stand-by Mode after Every Brewing Cycle – Only Brewer Using Real Milk – Noise Reduction System Reduces Noise While Brewing 	<ul style="list-style-type: none"> – Large Variety of High-quality Hot Beverages: Freshly Brewed Coffee, Espresso, Cappuccino, Latte Macchiato, Hot Chocolate or Tea Right Away – Innovative Flow-Through Water Heater™ Ready to Go the Moment the Machine is Switched On and Virtually No Heat-up Time Between Drinks – Low Energy Consumption—Automatically Reverts to Stand-by Mode after Every Brewing Cycle – Only Brewer Using Real Milk 	<ul style="list-style-type: none"> – Large Variety of High-quality Hot Beverages: Freshly Brewed Coffee, Espresso, Cappuccino, Latte Macchiato, Hot Chocolate or Tea Right Away – Innovative Flow-Through Water Heater™ Ready to Go the Moment the Machine is Switched On and Virtually No Heat-up Time Between Drinks – Low Energy Consumption—Automatically Reverts to Stand-by Mode after Every Brewing Cycle – Only Brewer Using Real Milk

Universal Kitchen Machine Accessories



Universal Kitchen Machine Plus	Universal Kitchen Machine
– MUM6N11UC	– MUM6N10UC
– n/a	– n/a
<ul style="list-style-type: none"> – Security Device, Cover for Both Drives – Integrated Cable Storage – Durable, Easy to Clean Surface – Wide Range of Optional Accessories Eliminate the Need for Many Additional Kitchen Appliances 	<ul style="list-style-type: none"> – Security Device, Cover for Both Drives – Integrated Cable Storage – Durable, Easy to Clean Surface – Wide Range of Optional Accessories Eliminate the Need for Many Additional Kitchen Appliances
<ul style="list-style-type: none"> – 800-watt Motor – Easy to Use (4 Speeds plus Impulse) with Slower Low-speed Setting; Faster High-speed Setting – 6.5-quart High-volume Mixing Bowl with Higher Dough Capacity – Dough Hook, Scraper and Double Beater Included – 1.5-quart Blender for Mixing, Blending and Crushing Ice 	<ul style="list-style-type: none"> – 800-watt Motor – Easy to Use (4 Speeds plus Impulse) with Slower Low-speed Setting; Faster High-speed Setting – 6.5-quart High-volume Mixing Bowl with Higher Dough Capacity – Dough Hook, Scraper and Double Beater Included

Universal Kitchen Machine Accessories	Accessory Model No.
1. Blender	MUZ6MX3
2. Citrus Juicer	MUZ6ZP1
3. Food Processor	MUZ6MM3
4. Shredder with Bowl	MUZ6TS5
5. Julienne Disc	MUZ7JS1
6. French Fries Disc	MUZ7PS1
7. Coarse Grater Disc	MUZ7RS1
8. Fine Grater Disc	MUZ7KS1
9. Food and Meat Grinder	MUZ6FW4
10. Batter Whisk	MUZ6DB2UC
11. Wire Whisk	MUZ6DB3
12. Sausage Stuffer	MUZ7WS1
13. Fruit Pulper	MUZ7FV1
14. Pasta Attachment	MUZ7NV1
15. Cereal Mill	MUZ7GM1
16. Stainless Steel Bowl	MUZ6ER2
17. Plastic Bowl	MUZ6KR4NUC

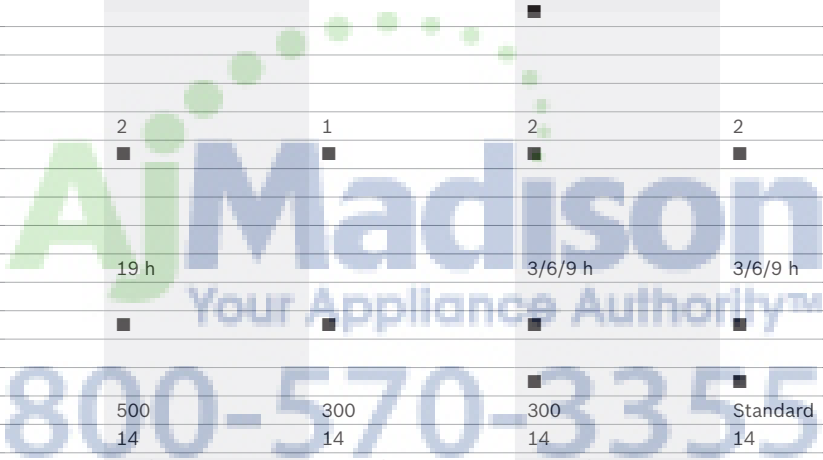
Your Appliance Authority™

 800-570-2255

Integra® Dishwasher Technical Details

Model	800 Plus Series	800 Plus Series	800 Plus Series	800 Series	500 Series
Color					
Stainless steel	SHX68E15UC	SHX68E05UC	SHX58E15UC	SHX68P05UC	SHX65P05UC
Black					SHX65P06UC
White					SHX65P02UC
Other					
Custom panel	SHV68E13UC		SHV58E13UC	SHV68P03UC	SHV65P03UC
Silence					
dBA	40	42	45	44	47
InfoLight®	■	■	■	■	
Efficiency					
Energy—kWh/year	180	180	259	234	259
Water—gallons/load	1.57	1.57	1.57	2.21	2.86
Safety					
Leak Protection	AquaStop® Plus	AquaStop® Plus	AquaStop® Plus	AquaStop®	AquaStop®
PerfectDoor®	■	■	■	■	■
Wash Cycles	6	6	5	6	6
Power Scrub	■	■	■		
Regular Wash	■	■	■	■	■
Auto Wash	■	■	■	■	■
Delicate Wash	■	■	■		
Quick Wash	■	■	■	■	■
Rinse & Hold				■	■
Auto Plus				■	■
Auto Delicate				■	■
Glass Care	■	■			
Options	5	5	3	3	3
Half-load	■	■	■	■	■
EcoAction®	■	■	■		
Extra Wash	■	■	■		
Sanitize	■	■	■	■	■
Delay Start	24 h	24 h	24 h	19 h	19 h
Wash Sensor					
EcoSense®	■	■	■	■	■
Load Size Sensor	■				
Variable Spray Pressure	■	■		■	■
Upper Rack	VarioFlex™ Plus	VarioFlex™	Vario™	800	500
Place Setting Capacity	15	15	15	14	14
Adjustability	RackMatic® Plus	RackMatic® Plus	RackMatic® Plus	RackMatic®	RackMatic®
ActiveTab® Tray	■	■	■		
Flip Tines	6	2		4	2
Cup Shelves	2	2	2	3	2
Plastic Item Clips	3	3	3	6	3
Accessory Basket				■	■
Handle	Bosch ActiveTab® with s/s	Bosch ActiveTab®	Bosch ActiveTab®	Bosch plastic	Bosch plastic
Third Loading Level	■	■	■		
Lower Rack	VarioFlex™ Plus	VarioFlex™	Vario™	800	500
Flip Tines	6	4	2	4	2
Handle	Bosch plastic w/ s/s	Bosch plastic	Handle Wire	Bosch plastic	Handle Wire
Plastic Item Clips					
Silverware Basket	Flexible	Flexible	Flexible	Flexible & Splitable	Flexible & Splitable
Silverware Basket Cover	■	■	■	■	■
Display					
Remaining Time	■	■	■	■	■
Sanitized Indicator Light	■	■	■	■	■
Rinse Aid Indicator Light	■	■	■	■	■
Other					
Extra Tall Item Sprinkler	■	■	■	■	■
Detergent & Rinse-Aid Dispenser	■	■	■	■	■
End of Cycle Sound	■	■	■	■	■
OptiDry®	■	■	■	■	■
Power Cord Included	■	■	■		
Water Hose Included	■	■	■		

500 Series	500 Series	500 Series	300 Series	Ascenta® Series	Ascenta® Series	Ascenta® Series
SHX45P05UC	SHX45L05UC	SHX45L15UC	SHX43P15UC	SHX6AP05UC	SHX5AL05UC	SHX4AP05UC
SHX45P06UC			SHX43P16UC	SHX6AP06UC	SHX5AL06UC	SHX4AP06UC
SHX45P02UC			SHX43P12UC	SHX6AP02UC	SHX5AL02UC	SHX4AP02UC
SHX45P01UC			SHV43P13UC			
47	47	47	50	50	53	53
■	■	■				
259	259	259	259	300	300	300
2.86	2.86	2.86	2.86	2.38	2.38	2.38
AquaStop®	AquaStop®	AquaStop®	AquaStop®	24/7 Overflow	24/7 Overflow	24/7 Overflow
■	■	■	■	■	■	■
4	4	4	4	6	5	4
■	■	■	■	■	■	■
■	■	■	■	■	■	■
■	■	■	■	■	■	■
■	■	■	■	■	■	■
■	■	■	■	■	■	■
2	2	2	1	2	2	2
■	■	■	■	■	■	■
19 h	19 h	19 h		3/6/9 h	3/6/9 h	3/6/9 h
■	■	■	■	■	■	■
500	500	500	300	300	Standard	Standard
14	14	14	14	14	14	14
RackMatic®	RackMatic®	RackMatic®	Manual	Manual		
2	2	2	1	1	1	1
2	2	2	2	2	1	1
3	3	3	2	2		
■	■	■				
Bosch plastic	Bosch plastic	Bosch plastic	Bosch plastic	Bosch plastic		
500	500	500	300	300	Standard	Standard
2	2	2	1	1		
Handle Wire	Handle Wire	Handle Wire	Handle Wire	Handle Wire		
Flexible & Splittable	Flexible & Splittable	Flexible & Splittable	Flexible & Splittable	Flexible & Splittable	2	2
■	■	■	■	■	Standard	Standard
■	■	■	■	■		
■	■	■	■	■		
■	■	■	■	■		
■	■	■	■	■		
■	■	■	■	■		
■	■	■	■	■		
■	■	■	■	■		



Evolution® Dishwasher Technical Details

Model	800 Plus Series	800 Plus Series	800 Series	500 Series	500 Series	500 Series	500 Series
Color							
Stainless steel	SHE68E15UC	SHE68E05UC	SHE68P05UC	SHE65P05UC	SHE55P05UC	SHE55M15UC	SHE55C05UC
Black			SHE68P06UC	SHE65P06UC	SHE55P06UC	SHE55M16UC	
White			SHE68P02UC	SHE65P02UC	SHE55P02UC	SHE55M12UC	
Other							
Custom panel							
Silence							
dBA	40	42	44	47	47	47	48
Efficiency							
Energy—kWh/year	180	180	234	259	259	259	307
Water—gallons/load	1.57	1.57	2.21	2.86	2.86	2.86	2.89
Safety							
Leak Protection	AquaStop® Plus	AquaStop® Plus	AquaStop®	AquaStop®	AquaStop®	AquaStop®	AquaStop®
PerfectDoor®	■	■	■	■	■	■	■
Wash Cycles	6	6	6	6	5	5	5
Power Scrub	■	■			■	■	■
Regular Wash	■	■	■	■	■	■	■
Auto Wash	■	■	■	■	■	■	
Delicate Wash	■	■			■	■	■
Quick Wash	■	■	■	■	■	■	■
Rinse & Hold			■	■			■
Auto Plus			■	■			
Auto Delicate			■	■			
Glass Care	■	■					
Options	5	5	3	3	3	3	2
Half-load	■	■	■	■	■	■	■
EcoAction®	■	■				■	
Extra Wash	■	■					
Sanitize	■	■	■	■	■		
Delay Start	24 h	24 h	19 h	19 h	19 h	19 h	24 h
Wash Sensor							
EcoSense®	■	■	■	■	■	■	■
Load Size Sensor	■	■					
Variable Spray Pressure	■	■					
Upper Rack	VarioFlex™ Plus	VarioFlex™	800	500	500	500	500
Place Setting Capacity	14	14	14	14	14	14	14
Adjustability	RackMatic® Plus	RackMatic® Plus	RackMatic®	RackMatic®	RackMatic®	RackMatic®	RackMatic®
Flip Tines	6	2	4	2	2	4	2
Cup Shelves	2	2	3	2	2	2	2
Plastic Item Clips	3	3	6	3	3		
Accessory Basket			■	■	■		■
Handle	Bosch Active Tab® with s/s	Bosch ActiveTab®	Bosch plastic	Bosch plastic	Bosch plastic	Bosch plastic	Bosch plastic
Third Loading Level	■	■					
Lower Rack	VarioFlex™ Plus	VarioFlex™	800	500	500	500	500
Flip Tines	6	4	4	2	2	4	4
Handle	Bosch plastic w/ s/s	Bosch plastic	Bosch plastic	Handle Wire	Handle Wire	Handle Wire	Handle Wire
Plastic Item Clips							
Silverware Basket	Flexible	Flexible	Flexible & Splitable	Flexible & Splitable	Flexible & Splitable	Flexible & Splitable	Flexible & Splitable
Silverware Basket Cover	■	■	■	■	■	■	■
Display							
Remaining Time	■	■	■	■	■	■	■
Sanitized Indicator Light	■	■	■	■	■	■	■
Rinse Aid Indicator Light	■	■	■	■	■	■	■
Other							
Extra Tall Item Sprinkler	■	■	■	■	■		
Detergent & Rinse-Aid Dispenser	■	■	■	■	■	■	■
End of Cycle Sound	■	■	■	■	■		
OptiDry®	■	■	■	■	■	■	■
Power Cord Included	■	■					
Water Hose Included	■	■					

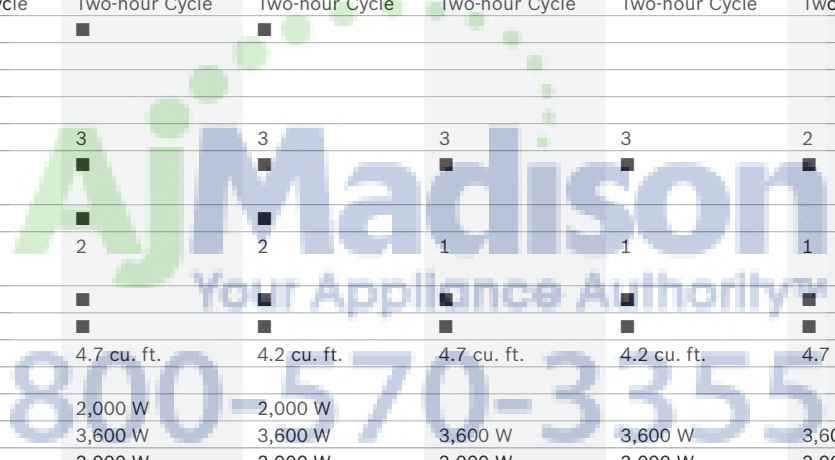
Oven Technical Details

Model Number	800 Series	500 Series	800 Series	500 Series	500 Series	300 Series
Color						
Stainless steel	HBL8750UC	HBL5750UC	HBL8650UC	HBL5650UC	HBN5650UC	HBL3550UC
Black		HBL5760UC		HBL5660UC		HBL3560UC
White		HBL5720UC		HBL5620UC		
Type						
	30" Combination	30" Combination	30" Double	30" Double	27" Double	30" Double
Microwave Configuration*	Convection	Traditional				
Appearance						
Flush-to-Cabinet Design	■	■	■	■	■	■
Touch Control	■		■			
Ergonomic Retractable Dials		■		■	■	
Ergonomic Dials						■
Amber Colored Full Text Display	■	■	■	■	■	
Amber Colored Display						■
Performance						
Genuine European Convection	■	■	Upper / Lower	Upper	Upper	
Speed Convection	■	■	Upper	Upper	Upper	
Convection Bake, Broil, Roast	■	■	Upper / Lower	Upper	Upper	Upper
Bake, Broil, Roast	■	■	Upper / Lower	Upper / Lower	Upper / Lower	Upper / Lower
Pizza, Pie	■	■	Upper / Lower	Upper	Upper	Upper
Recipes	■	■	Upper / Lower	Upper	Upper	
Fast Preheat	■	■	Upper / Lower	Upper	Upper	Upper
Meat Probe	■	■	Upper	Upper	Upper	
Self Clean Mode	Two-hour Cycle	Two-hour Cycle	Two-hour Cycle	Two-hour Cycle	Two-hour Cycle	Two-hour Cycle
Sabbath Mode	■	■	■	■	■	
Panel Lock	■		■			
Convenience						
Ball Bearing Telescopic Racks	1		1			
Standard Racks	2	3	5	5	5	5
Porcelain Self Clean Rack Supports	■	■	■	■	■	■
Porcelain Broil Pan	■	■	■	■	■	
Cavity Lighting	3 Halogen	2	3 Halogen per Cavity	2 per Cavity	2 per Cavity	1 per Cavity
Concealed Bake Element	■	■	■	■	■	■
Recessed 10 Pass Broil Element	■	■	■	■	■	■
Overall Oven Capacity*	4.7 cu. ft.	4.7 cu. ft.	4.7 cu. ft.	4.7 cu. ft.	4.2 cu. ft.	4.7 cu. ft.
Technical						
Convection Element Wattage	2,000 W	2,000 W	2,000 W	2,000 W	2,000 W	
Broil Element Wattage	3,600 W	3,600 W	3,600 W	3,600 W	3,600 W	3,600 W
Bake Element Wattage	2,000 W	2,000 W	2,000 W	2,000 W	2,000 W	2,000 W
Dual-Rated 120/208-240 Volts, 4 Wire, 60 Hz	■	■	■	■	■	■
Amps	50	50	40	40	40	40
Approximate Shipping Weight	267 lb	267 lb	328 lb	328 lb	315 lb	328 lb

*Please refer to the Microwave section for specifications.

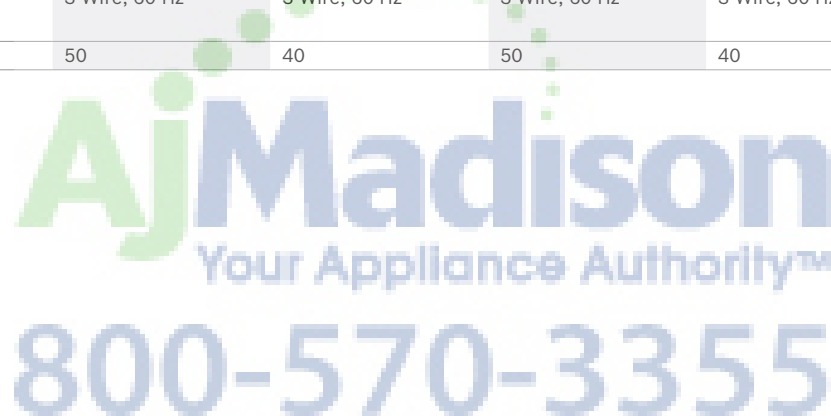
Note: Dimensions are for planning only. For details, see installation manual, or visit www.bosch-home.com/us. Specifications subject to change without notice. For immediate installation dimensions by fax, call 1.925.284.3558. Use code #8317 for a directory of Bosch products. Also available online at dexpress.com.

300 Series	800 Series	500 Series	500 Series	300 Series	300 Series	300 Series
HBN3550UC	HBL8450UC	HBL5450UC	HBN5450UC	HBL3450UC	HBN3450UC	HBL3350UC
		HBL5460UC		HBL3460UC		HBL3360UC
		HBL5420UC				
27" Double	30" Single	30" Single	27" Single	30" Single	27" Single	30" Single
■	■	■	■	■	■	■
	■					
■		■	■	■	■	■
■	■	■	■	■	■	■
	■	■	■			
	■	■	■			
Upper	■	■	■	■	■	
Upper / Lower	■	■	■	■	■	■
Upper	■	■	■	■	■	
Upper	■	■	■	■	■	
Two-hour Cycle	Two-hour Cycle	Two-hour Cycle	Two-hour Cycle	Two-hour Cycle	Two-hour Cycle	Two-hour Cycle
	■	■	■			
	■					
	1					
5	2	3	3	3	3	2
■	■	■	■	■	■	■
	■					
1 per Cavity	3 Halogen	2	2	1	1	1
■	■	■	■	■	■	■
■	■	■	■	■	■	■
4.2 cu. ft.	4.7 cu. ft.	4.7 cu. ft.	4.2 cu. ft.	4.7 cu. ft.	4.2 cu. ft.	4.7 cu. ft.
	2,000 W	2,000 W	2,000 W	2,000 W	2,000 W	2,000 W
3,600 W	3,600 W	3,600 W	3,600 W	3,600 W	3,600 W	3,600 W
2,000 W	2,000 W	2,000 W	2,000 W	2,000 W	2,000 W	2,000 W
■	■	■	■	■	■	■
40	30	30	30	30	30	30
315 lb	193 lb	193 lb	179 lb	193 lb	179 lb	193 lb



Induction Cooktop Technical Details

Model	800 Series, 36"	800 Series, 30"	500 Series, 36"	500 Series, 30"	300 Series, 30"
Color					
Black w/ Stainless Steel Trim	NIT8665UC	NIT8065UC	NIT5665UC	NIT5065UC	
Black					NIT3065UC
Element Size and Performance					
Left Front Size(s)	7"	9"	7"	9"	9"
Left Front Performance (with SpeedBoost®)	1,800 (2,500) W	2,200 (3,300) W	1,800 (2,500) W	2,200 (3,300) W	2,200 (3,300) W
Left Rear Size(s)	7"	6"	7"	6"	6"
Left Rear Performance (with SpeedBoost®)	1,800 (2,500) W	1,400 (1,800) W	1,800 (2,500) W	1,400 (1,800) W	1,400 (1,800) W
Center Size(s)	11" / 7"		11" / 7"		
Center Performance (with SpeedBoost®)	2,800 (4,400) W / 1,800 (2,500) W		2,800 (4,400) W / 1,800 (2,500) W		
Right Rear Size(s)	6"	11"	6"	11"	11"
Right Rear Performance (with SpeedBoost®)	1,400 (1,800) W	2,400 (3,600) W	1,400 (1,800) W	2,400 (3,600) W	2,400 (3,600) W
Right Front Size(s)	9"	6"	9"	6"	6"
Right Front Performance (with SpeedBoost®)	2,200 (3,300) W	1,400 (1,800) W	2,200 (3,300) W	1,400 (1,800) W	1,400 (1,800) W
Cooktop Power Requirements					
Voltage	Dual Rated 208/240 V, 3-Wire, 60 Hz	Dual Rated 208/240 V, 3-Wire, 60 Hz	Dual Rated 208/240 V, 3-Wire, 60 Hz	Dual Rated 208/240 V, 3-Wire, 60 Hz	Dual Rated 208/240 V, 3-Wire, 60 Hz
Amperage / Breaker	50	40	50	40	40



Gas Cooktop Technical Details

Model	800 Series, 36"	800 Series, 30"	500 Series, 36"	500 Series, 30"	300 Series, 36"	300 Series, 36"
Color						
Stainless Steel	NGM8654UC	NGM8054UC	NGM5654UC	NGM5054UC	NGM3654UC	NGM3054UC
Black			NGM5664UC	NGM5064UC		
White			NGM5624UC	NGM5024UC		
Burner Performance						
Left Front Performance	1,350–12,000 BTU	1,350–10,000 BTU	1,350–12,000 BTU	1,350–10,000 BTU	1,350–12,000 BTU	1,350–10,000 BTU
Left Rear Performance	1,350–12,000 BTU	400–5,500 BTU	1,350–12,000 BTU	1,350–10,000 BTU	1,350–12,000 BTU	1,350–10,000 BTU
Center Performance	800–18,000 BTU	800–16,000 BTU	1,350–16,000 BTU	n/a	1,200–14,000 BTU	n/a
Right Front Performance	1,350–12,000 BTU	400–5,500 BTU	1,350–12,000 BTU	1,350–16,000 BTU	1,350–12,000 BTU	1,350–14,000 BTU
Right Rear Performance	400–5,500 BTU	1,350–10,000 BTU	400–5,500 BTU	400–5,500 BTU	550–5,500 BTU	550–5,500 BTU
Cooktop Installation Requirements						
Voltage	120 V, 3 Wire Power Cord	120 V, 3 Wire Power Cord	120 V, 3 Wire Power Cord	120 V, 3 Wire Power Cord	120 V, 3 Wire Power Cord	120 V, 3 Wire Power Cord
Amperage / Breaker	15	15	15	15	15	15

Electric Cooktop Technical Details

Model	800 Series, 36"	800 Series, 30"	500 Series, 36"	500 Series, 30"	300 Series, 36"	300 Series, 30"
Color						
Black w/ Stainless Steel Trim	NET8654UC	NET8054UC	NET5654UC	NET5054UC		
Black					NEM3664UC	NEM3064UC
Element Size and Performance						
Left Front Size(s)	7"	7" / 5"	7"	7"	7" / 5"	7" / 5"
Left Front Performance	1,800 W	1,700 / 700 W	1,800 W	1,800 W	1,700 / 700 W	1,700 / 700 W
Left Rear Size(s)	7"	7"	7"	7"	7"	7"
Left Rear Performance	1,800 W	1,800 W	1,800 W	1,800 W	1,800 W	1,800 W
Center Size(s)	12" / 8" / 6"		9" / 6"	9" / 6"	7"	
Center Performance	3,080 / 1,950 / 1,050 W		2,500 W / 1,100 W	2,500 W / 1,100 W	1,800 W	
Right Rear Size(s)	6"	12" / 8" / 6"	6"	6"	6"	6"
Right Rear Performance	1,200 W	2,700 / 1,950 / 1,050 W	1,200 W	1,200 W	1,200 W	1,200 W
Right Front Size(s)	8" / 5"	6"	8" / 5"		9" / 6"	9"
Right Front Performance	1,900 W / 800 W	1,200 W	1,900 W / 800 W		2,500 W / 1,100 W	2,500 W
Bridge Performance	400 W		400 W	400 W		
Cooktop Power Requirements						
Voltage	Dual Rated 208/240 V, 3-Wire, 60 Hz	Dual Rated 208/240 V, 3-Wire, 60 Hz	Dual Rated 208/240 V, 3-Wire, 60 Hz	Dual Rated 208/240 V, 3-Wire, 60 Hz	Dual Rated 208/240 V, 3-Wire, 60 Hz	Dual Rated 208/240 V, 3-Wire, 60 Hz
Amperage / Breaker	50	40	40	40	40	30

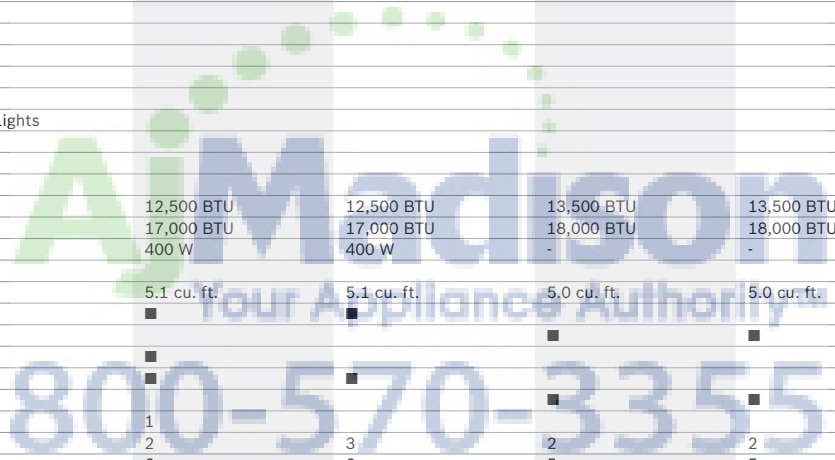


Slide-in Range Technical Details

Model	700 Series	700 Series	700 Series	700 Series
Fuel Type	Dual-fuel	Dual-fuel	Electric	Electric
Color				
Stainless Steel Pro	HDI7282U		HEI7282U	
Stainless Steel		HDI7052U		HEI7052U
Black				
White				
Gas Cooktop Performance				
Left Rear	1,300–12,500 BTU	1,300–12,500 BTU		
Left Front	1,300–12,500 BTU	1,300–12,500 BTU		
Center				
Right Rear	800–5,500 BTU	800–5,500 BTU		
Right Front	1,300–16,000 BTU	1,300–16,000 BTU		
Gas Cooktop Features				
OptiSim® (400 BTU)	1	1		
PowerSim® Burner	1	1		
Sealed Burners	■	■		
Continuous Grates (Cast-Iron)	■	■		
Electronic Ignition	■	■		
Power Burner	■	■		
Simmer Burner	■	■		
Oval Burner				
Electric Cooktop Element Size(s) and Performance				
Left Rear Size(s)/ Performance			5", 8"/1,900 W	7"/1,800 W
Left Front Size(s)/ Performance			6"/1,500 W	7"/1,800 W + 800 W Bridge
Center Size(s)/ Performance				
Right Rear Size(s)/ Performance			6"/1,200 W	6"/1,200 W
Right Front Size(s)/ Performance			12", 9", 6"/2,700 W	5", 7", 9", 2,500 W
Electric Cooktop Features				
Smooth Surface (Ceramic Glass)			■	■
Stainless Steel Cooktop Frame			■	■
Hot Surface Indicator Light			4	4
Electronic Cooktop On Indicator Lights			■	■
Simmer Element				
Bridge Element (800 W)				■
Oven Performance				
Broil	3,600 W	3,600 W	3,600 W	3,600 W
Bake	2,000 W	2,000 W	2,000 W	2,000 W
Third Element	1,100 W	1,100 W	1,100 W	1,100 W
Oven Features				
Capacity	4.6 cu. ft.	4.6 cu. ft.	4.6 cu. ft.	4.6 cu. ft.
Genuine European Convection	■	■	■	■
Convection				
Temperature Probe	■	■	■	■
Convection Assisted Self-clean	■	■	■	■
Self-Clean				
Full Extension Telescopic Rack	1		1	
Standard Racks	2	3	2	3
Rack Positions	6	6	6	6
Variable Broiling (Min/Max)	■	■	■	■
Oven Light	■	■	■	■
Wide View Oven Window				
Hidden Bake Element	■	■	■	■
Cooking Modes				
Bake	■	■	■	■
Broil	■	■	■	■
Automatic Convection Bake	■	■	■	■
Convection Bake				
Convection Broil	■	■	■	■
Convection Roast	■	■	■	■
Convection Conversion	■	■	■	■
Dehydrate	■	■	■	■
Keep Warm Oven Mode	■	■	■	■
Sabbath Mode	■	■	■	■
Proof	■	■	■	■
Console/Controls				
ClearTouch® Oven Controls	■	■	■	■
Touch Oven Controls				
Knobs with "Push-to-Turn" system	■	■	■	■
Metal Finish Knobs	■	■	■	■
Electronic Clock & Timers	■	■	■	■
Oven Control Lock out				
Delayed Bake	■	■	■	■
Panel Lock				
Lower Drawer				
Warming Drawer	■		■	
Storage Drawer		■		■
Installation Requirements				
Dual Rated 208/240 V, 4-wire, 60 Hz	■	■	■	■
120 V, 3-wire, 60 Hz				
Amperage / Breaker	30	30	40	40
Natural/LP Gas Convertible	■	■		

Freestanding Range Technical Details

Model	700 Series	700 Series	500 Series DLX	500 Series	300 Series
Fuel Type	Gas	Gas	Gas	Gas	Gas
Color					
Stainless Steel Pro	HGS7282UC				
Stainless Steel		HGS7052UC	HGS5L53UC	HGS5053UC	HGS3053UC
Black					HGS3063UC
White					HGS3023UC
Gas Cooktop Performance					
Left Rear	1,300–12,500 BTU	1,300–12,500 BTU	1,200–12,000 BTU	1,200–12,000 BTU	1,200–12,000 BTU
Left Front	1,200–9,100 BTU	1,200–9,100 BTU	850–9,500 BTU	850–9,500 BTU	850–9,500 BTU
Center			2,500–9,500 BTU	2,500–9,500 BTU	850–9,500 BTU
Right Rear	800–5,500 BTU	800–5,500 BTU	500–5,000 BTU	500–5,000 BTU	500–5,000 BTU
Right Front	1,300–16,000 BTU	1,300–16,000 BTU	1,800–17,000 BTU	1,800–16,000 BTU	1,500–14,000 BTU
Gas Cooktop Features					
OptiSim® (400 BTU)	Right Rear				
PowerSim® Burner	Right Front	Right Front			
Sealed Burners	■	■	■	■	■
Continuous Grates (Cast-Iron)	■	■	■	■	■
Electronic Ignition	■	■	■	■	■
Power Burner	■	■	■	■	■
Simmer Burner	■	■	■	■	■
Oval Burner			■	■	
Electric Cooktop Element Size(s) and Performance					
Left Rear Size(s)/ Performance					
Left Front Size(s)/ Performance					
Center Size(s)/ Performance					
Right Rear Size(s)/ Performance					
Right Front Size(s)/ Performance					
Electric Cooktop Features					
Smooth Surface (Ceramic Glass)					
Stainless Steel Cooktop Frame					
Hot Surface Indicator Light					
Electronic Cooktop On Indicator Lights					
Simmer Element					
Bridge Element (800 W)					
Oven Performance					
Broil	12,500 BTU	12,500 BTU	13,500 BTU	13,500 BTU	13,500 BTU
Bake	17,000 BTU	17,000 BTU	18,000 BTU	18,000 BTU	18,000 BTU
Third Element	400 W	400 W	-	-	-
Oven Features					
Capacity	5.1 cu. ft.	5.1 cu. ft.	5.0 cu. ft.	5.0 cu. ft.	5.0 cu. ft.
Genuine European Convection	■		■	■	
Convection					
Temperature Probe	■				
Convection Assisted Self-clean	■	■			
Self-Clean			■	■	■
Full Extension Telescopic Rack	1				
Standard Racks	2	3	2	2	2
Rack Positions	6	6	5	5	5
Variable Broiling (Min/Max)	■	■	■	■	■
Oven Light	■	■	■	■	■
Wide View Oven Window			■	■	■
Hidden Bake Element	■	■	■	■	■
Cooking Modes					
Bake	■	■	■	■	■
Broil	■	■	■	■	■
Automatic Convection Bake	■	■			
Convection Bake			■	■	
Convection Broil					
Convection Roast	■	■			
Convection Conversion	■	■			
Dehydrate	■	■			
Keep Warm Oven Mode	■	■			
Sabbath Mode	■	■	■	■	■
Proof	■	■			
Console/Controls					
ClearTouch® Oven Controls	■	■			
Touch Oven Controls			■	■	■
Knobs with "Push-to-Turn" system	■	■	■	■	■
Metal Finish Knobs	■	■	■	■	■
Electronic Clock & Timers	■	■	■	■	■
Oven Control Lock out				■	■
Delayed Bake	■	■	■	■	■
Panel Lock			■	■	■
Lower Drawer					
Warming Drawer	■	■			
Storage Drawer			■	■	■
Installation Requirements					
Dual Rated 208/240 V, 4-wire, 60 Hz	15	15	15	15	15
120 V, 3-wire, 60 Hz	■	■	■	■	■
Amperage / Breaker					
Natural/LP Gas Convertible					



Technical Details,
Dimensions and
Installation

Freestanding Range Technical Details

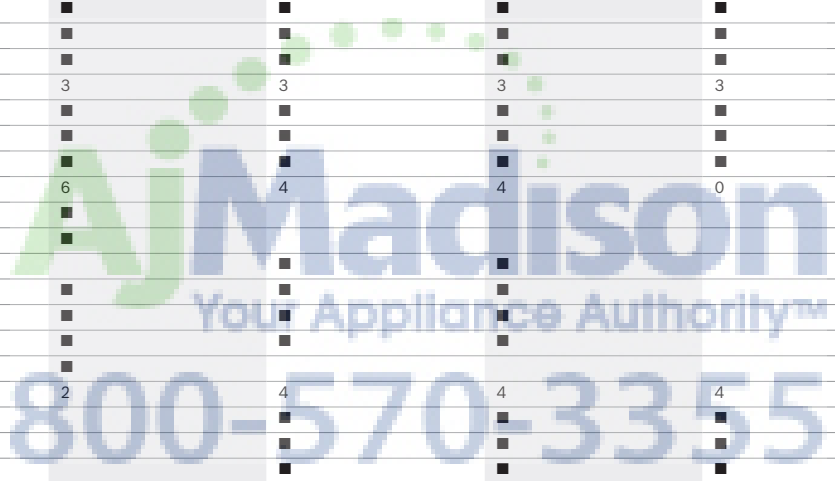
Model	700 Series	700 Series	700 Series	700 Series	700 Series
Fuel Type	Dual-fuel	Dual-fuel	Electric	Electric	Electric
Color					
Stainless Steel Pro	HDS7282U		HES7282U		
Stainless Steel		HDS7052U		HES7252U	HES7052U
Black					
White					
Gas Cooktop Performance					
Left Rear	1,300–12,500 BTU	1,300–12,500 BTU			
Left Front	1,200–9,100 BTU	1,200–9,100 BTU			
Center					
Right Rear	800–5,500 BTU	800–5,500 BTU			
Right Front	1,300–16,000 BTU	1,300–16,000 BTU			
Gas Cooktop Features					
OptiSim® (400 BTU)	Right Rear				
PowerSim® Burner	Right Front	Right Front			
Sealed Burners	■	■			
Continuous Grates (Cast-Iron)	■	■			
Electronic Ignition	■	■			
Power Burner	■	■			
Simmer Burner	■	■			
Oval Burner					
Electric Cooktop Element Size(s) and Performance					
Left Rear Size(s)/ Performance			5", 7", 9"/2,500 W	6"/1,500 W	7"/1,800 W
Left Front Size(s)/ Performance			6"/1,200 W	5", 7", 9"/2,500 W	7"/1,800 W + 800 W Bridge
Center Size(s)/ Performance					
Right Rear Size(s)/ Performance			6"/1,200 W	5", 8"/1,900 W	6"/1,200 W
Right Front Size(s)/ Performance			9", 12"/2,700 W	6"/1,200 W	5", 9"/2,500 W
Electric Cooktop Features					
Smooth Surface (Ceramic Glass)			■	■	■
Stainless Steel Cooktop Frame			■	■	■
Hot Surface Indicator Light			4	4	4
Electronic Cooktop On Indicator Lights			4	4	4
Simmer Element				4	
Bridge Element (800 W)					■
Oven Performance					
Broil	3,600 W	3,600 W	3,600 W	3,600 W	3,600 W
Bake	2,000 W	2,000 W	2,000 W	2,000 W	2,000 W
Third Element	1,100 W	1,100 W	1,100 W	1,100 W	1,100 W
Oven Features					
Capacity	4.6 cu. ft.	4.6 cu. ft.	4.6 cu. ft.	4.6 cu. ft.	4.6 cu. ft.
Genuine European Convection				■	■
Convection	■	■			
Temperature Probe	■	■	■	■	
Convection Assisted Self-clean		■		■	■
Self-Clean					
Full Extension Telescopic Rack	1		1		
Standard Racks	2	3	2	3	3
Rack Positions	6	6	6	6	6
Variable Broiling (Min/Max)	■	■	■	■	■
Oven Light	■	■	■	■	■
Wide View Oven Window					
Hidden Bake Element	■	■	■	■	■
Cooking Modes					
Bake	■	■	■	■	■
Broil	■	■	■	■	■
Automatic Convection Bake	■	■	■	■	■
Convection Bake					
Convection Broil	■		■	■	
Convection Roast	■	■	■	■	■
Convection Conversion	■	■	■	■	■
Dehydrate	■	■	■	■	■
Keep Warm Oven Mode	■	■	■	■	■
Sabbath Mode	■	■	■	■	■
Proof	■	■	■	■	■
Console/Controls					
ClearTouch® Oven Controls	■	■	■	■	■
Touch Oven Controls					
Knobs with "Push-to-Turn" system	■	■	■		■
Metal Finish Knobs	■		■	Twist Control	
Electronic Clock & Timers	■	■	■	■	■
Oven Control Lock out					
Delayed Bake	■	■	■	■	■
Panel Lock				Control Lock	
Lower Drawer					
Warming Drawer	■	■	■	■	■
Storage Drawer					
Installation Requirements					
Dual Rated 208/240 V, 4-wire, 60 Hz	30	30	■	■	■
120 V, 3-wire, 60 Hz	■	■			
Amperage / Breaker			40	40	40
Natural/LP Gas Convertible					

500 Series DLX	500 Series	300 Series
Electric	Electric	Electric
HES5L53U	HES5053U	HES3053U HES3063U HES3023U
6"/1,200 W 6", 9"/2,500 W	6"/1,200 W 6", 9"/2,500 W	6"/1,200 W 6", 9"/2,500 W
6"/100 W (warming zone) 6"/1,200 W 9", 12"/3,000 W	6"/100 W (warming zone) 6"/1,200 W 9", 12"/2,700 W	6"/1,200 W 6", 9"/2,500 W
■	■	■
1 5 ■	1 5 ■	1 4 ■
3,600 W 3,500 W -	3,600 W 3,500 W	3,600 W 3,500 W
5.4 cu. ft.	5.4 cu. ft.	5.4 cu. ft.
■	■	■
■	■	■
2 5 ■ ■ ■ ■	2 5 ■ ■ ■ ■	2 5 ■ ■ ■ ■
■ ■	■ ■	■ ■
■	■	■
■ ■ ■ ■ ■ ■	■ ■ ■ ■ ■ ■	■ ■ ■ ■ ■ ■
■	■	■
■	■	■
40	40	40



Full Size Dryer Technical Details

Series	800 Series	500 Series DLX®	500 Series	300 Series DLX®	300 Series
Color					
White	WTVC8330US/CN (Elect.) WTVC8530UC (Gas)	WTVC6330US (Elect.) WTVC6530UC (Gas)	WTVC5330US/CN (Elect.) WTVC5530UC (Gas)	WTVC4300US (Elect.) WTVC4500UC (Gas)	WTVC3300US/CN (Elect.) WTVC3500UC (Gas)
Silver			WTVC533SUS/CN (Elect.) WTVC553SUC (Gas)		
Anthracite			WTVC533AUS/CN (Elect.) WTVC553AUC (Gas)		
Sepia			WTVC533CUS/CN (Elect.) WTVC553CUC (Gas)		
Sky	WTVC833PUS/CN (Elect.) WTVC853PUC (Gas)				
Core Features					
Capacity (cu. ft.)	6.7 cu. ft.	6.7 cu. ft.	6.7 cu. ft.	6.7 cu. ft.	6.7 cu. ft.
Number of Drying Cycles	15	15	15	11	11
Number of Drying Options	8	3	3	3	3
Design Elements					
Display	Long Black—LCD	Large Black—LED	Large Black—LED	Small—LED	Small—LED
Dial	Chrome/Stainless Steel	2-Part Silver/Chrome	2-Part Silver/Chrome	2-Part White	2-Part White
Buttons	Stainless Steel	Silver	Silver	White	White
Door	Stainless Steel	Chrome	Chrome	Silver	Silver
Drum	One-Piece Stainless Steel	One-Piece Stainless Steel	One-Piece Stainless Steel	One-Piece Stainless Steel	One-Piece Stainless Steel
Cycles	15	15	15	11	11
Cotton	4	4	4	4	4
Extra Dry	■	■	■	■	■
Very Dry	■	■	■	■	■
Regular Dry	■	■	■	■	■
Damp Dry	■	■	■	■	■
Permanent Press	3	3	3	3	3
Very Dry	■	■	■	■	■
Regular Dry	■	■	■	■	■
Damp Dry	■	■	■	■	■
Special Cycles	6	4	4	0	0
Active Wear	■	■	■		
Dark Color	■	■	■		
Jeans	■	■	■		
Steam Refresh	■	■	■		
Steam Touch Up	■	■	■		
Steam Wrinkle Relax	■	■	■		
Wool	■	■	■		
Timed Dry	2	4	4	4	4
20 Min.	■	■	■	■	■
40 Min.	■	■	■	■	■
60 Min.	■	■	■	■	■
Air fluff / No heat	■	■	■	■	■
Medium	■	■	■	■	■
Options	8	3	3	3	3
ChildLock	■	■	■	■	■
Delay Start	■	■	■	■	■
Delicates low/temp	■	■	■	■	■
EcoAction®	■	■	■	■	■
Extra Care	■	■	■	■	■
Extra Drying Time	■	■	■	■	■
Signal	■	■	■	■	■
Spin Speed Settings	■	■	■	■	■
Advanced Features					
DynamicAir™	■	■	■	■	■
ActiveDry®	■	■	■	■	■
1 h WrinkleBlock®	■	■	■	■	■
Dryer Rack Included	■	■	■	■	■
Lint Filter Indicator	■	■	■	■	■
Dimensions					
Height	36 7/8"	36 7/8"	36 7/8"	36 7/8"	36 7/8"
Width	27"	27"	27"	27"	27"
Depth	31 7/8"	31 7/8"	31 7/8"	31 7/8"	31 7/8"
Depth with door open	52 5/8"	52 5/8"	52 5/8"	52 5/8"	52 5/8"
Minimum Stacking Height	74 1/2"	74 1/2"	74 1/2"	74 1/2"	74 1/2"
Approximate shipping weight	138 lbs	138 lbs	138 lbs	138 lbs	138 lbs
Technical Information					
Supply Voltage	208/240 V or 120 V (Gas)	208/240 V or 120 V (Gas)	208/240 V or 120 V (Gas)	208/240 V or 120 V (Gas)	208/240 V or 120 V (Gas)
Frequency	60 Hz	60 Hz	60 Hz	60 Hz	60 Hz
Amperage	30 A / 15 A (Gas)	30 A / 15 A (Gas)	30 A / 15 A (Gas)	30 A / 15 A (Gas)	30 A / 15 A (Gas)



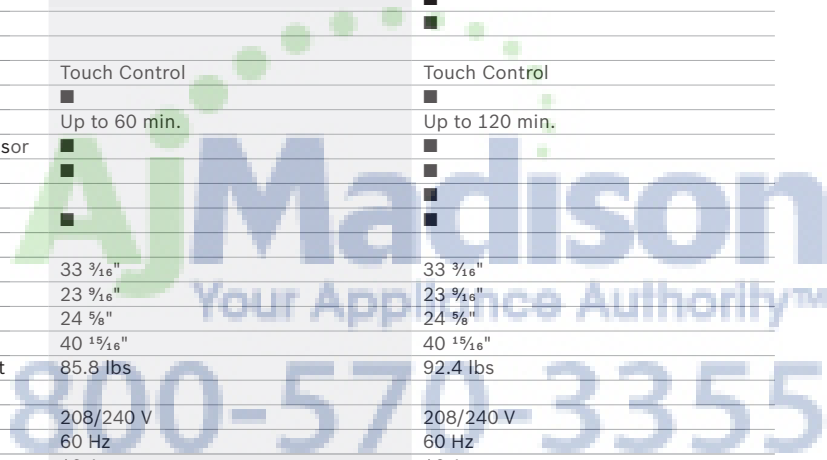
Technical Details,
Dimensions and
Installation

Compact Washer Technical Details

Series	Axxis® Washer 120 V	Axxis® Washer	Axxis® Plus Washer
Color			
White	WFL2090UC	WAS20160UC	WAS24460UC
Core Features			
Capacity (cu. ft.)	2.1 cu. ft.	3.4 cu. ft.	3.4 cu. ft.
Spin Speed	1,000 rpm	1,000 rpm	1,200 rpm
Number of Wash Cycles	15	15	15
Number of Wash Options	4	5	7
Efficiency			
ENERGY STAR® Qualified	■	■	■
Energy Use	121 kWh/y	125 kWh/y	130 kWh/y
Modified Energy Factor (MEF)	2.03	2.14	2.22
Water Factor (WF)	6.5	4.5	4.5
Annual Water Consumption	4,692	3,907	3,907
Design Elements			
Display			■
Cabinet	White	White	White
Door	Silver	Silver	Silver
Drum	Stainless Steel	Stainless Steel, Structured Drum	Stainless Steel, Structured Drum
Cycles	15	15	15
Cotton			■
Regular/Cotton (Cold, Warm, Hot)		■	
Regular/Cotton (Cold, Warm, Hot, Temp boost, Power temp boost)	■		
Permanent Press			■
Permanent Press (Cold, Warm, Hot)	■	■	
Delicates		■	■
Delicates (Cold, Warm)	■		
Hand Wash		■	■
Hand Wash (Cold, Warm)	■		
Dark Colors			■
Drain	■	■	■
KidsCare®		■	■
Quick Wash		■	■
Refresh		■	■
Sanitary		■	■
Silk/Satin		■	■
Soak	■	■	■
Spin	■	■	■
Sports Wear			■
Wool		■	■
Options	4	5	7
Delay Start			■
Heavy Duty		■	■
Power Wash	■		
Quick Wash	■		
Reduced Ironing		■	■
Rinse Plus	■	■	■
Signal		■	■
Spin Speed Settings	■	■	■
Temperature Settings			■
Advanced Features			
Anti-Vibration Design		■	■
Control Types	Electronic	Touch Control	Touch Control
Unique Structured Drum		■	■
Internal Water Heater	■	■	■
High Efficiency Tumble Action Wash System	■	■	■
SensoTronic® Plus	■	■	
SensoTronic® II Plus			■
Dimensions			
Height	33 ½"	33 ¾"	33 ¾"
Width	23 ⅝"	23 ⅞"	23 ⅞"
Depth	23 ½"	24 ¾"	24 ¾"
Depth with Door Open	35 ½"	40 ¾"	40 ¾"
Minimum Stacking Height	68 ¾"	68 ½"	68 ½"
Approximate Shipping Weight	179 lbs	165 lbs	171 lbs
Technical Information			
Washer Plugs into Dryer		■	■
Supply Voltage	110/120 V	208/240 V	208/240 V
Frequency	60 Hz	60 Hz	60 Hz
Amperage	15 A	12 A	12 A
Required Installation Amperage	30 A	30 A	30 A
Heating	1,800 W	1,350 W	1,350 W

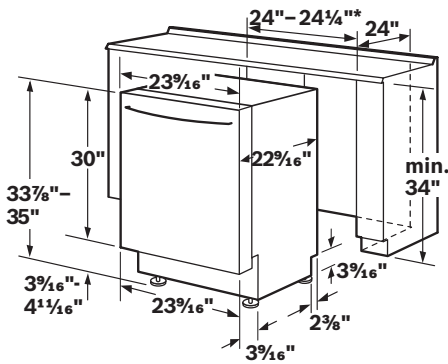
Compact Dryer Technical Details

Series	Axxis® Vented Dryer	Axxis® Condensation Dryer
Color		
White	WTV76100US/CN	WTE86300US/CN
Core Features		
Capacity (cu. ft.)	3.9 cu. ft.	3.95 cu. ft.
Silence Rating	67 dBA	67 dBA
Number of Drying Cycles	9	11
Number of Drying Options	1	3
Design Elements		
Display		■
Cabinet	White	White
Door	Silver	Silver
See-thru Door	■	■
Drum	Stainless Steel, Structured Drum	Stainless Steel, Structured Drum
Cycles		
Regular/Cotton (Extra Dry, Very Dry, Regular Dry, Damp Dry)	■	■
Permanent press (Very Dry, Regular Dry, Damp Dry)	■	■
Short Program		■
Timed Program	Warm 40 min.	Warm 40 min.
Touch Up	■	■
Wools		■
Options		
Delicates/Low Heat	1	3
Easy Ironing	■	■
Delay Start up to 24 hrs.		■
Advanced Features		
Control Types	Touch Control	Touch Control
Unique Structured Drum	■	■
WrinkleBlock®	Up to 60 min.	Up to 120 min.
Fully Electronic Moisture Sensor	■	■
Temperature Sensor	■	■
Interior Light	■	■
Lint Filter Indicator	■	■
Dimensions		
Height	33 3/16"	33 3/16"
Width	23 9/16"	23 9/16"
Depth	24 5/8"	24 5/8"
Depth with Door Open	40 15/16"	40 15/16"
Approximate Shipping Weight	85.8 lbs	92.4 lbs
Technical Information		
Supply Voltage	208/240 V	208/240 V
Frequency	60 Hz	60 Hz
Amperage	13 A	13 A
Required Installation Amperage	30 A	30 A
Required Air-Flow Intake	110 CFM (187 m³/h)	118 CFM (200m³ / h)



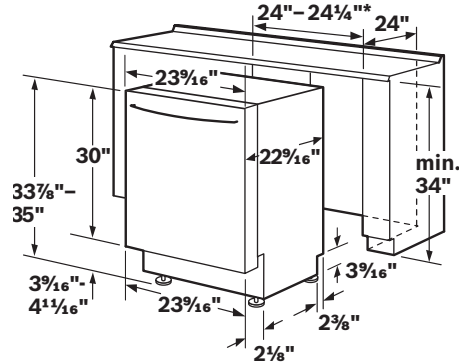
Dishwasher Dimensions and Installation

Integra® Dishwashers



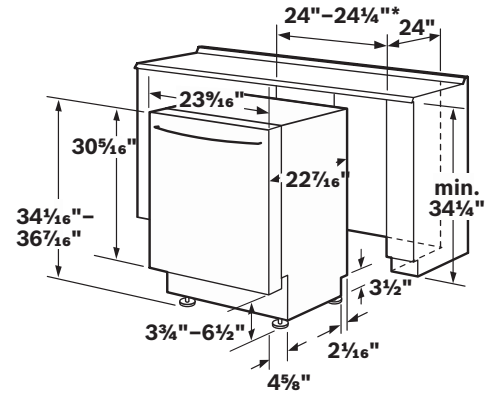
*23 9/16" without decor strips

SHX43P1_UC, SHX45L05UC, SHX45L15UC, SHX65P0_UC



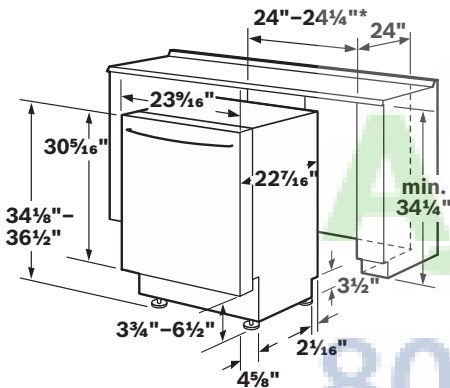
3 9/16" without decor strips

SHX45P0_UC, SHX68P05UC



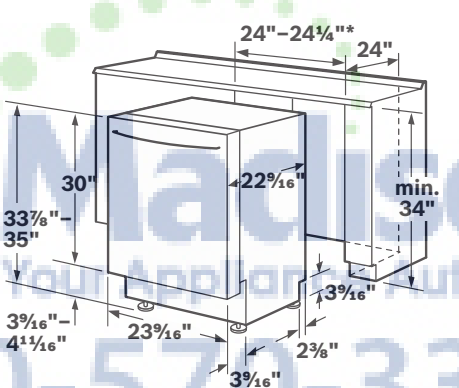
*23 9/16" without decor strips

SHX58E15UC, SHX68E05UC



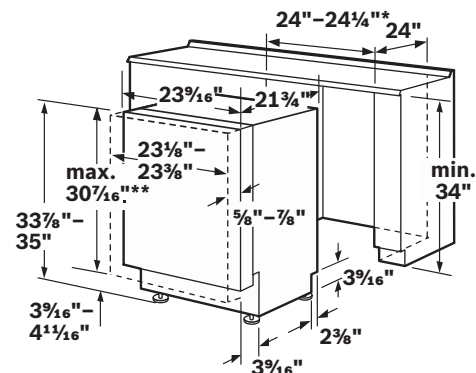
*23 9/16" without decor strips

SHX68E15UC



*23 9/16" without decor strips

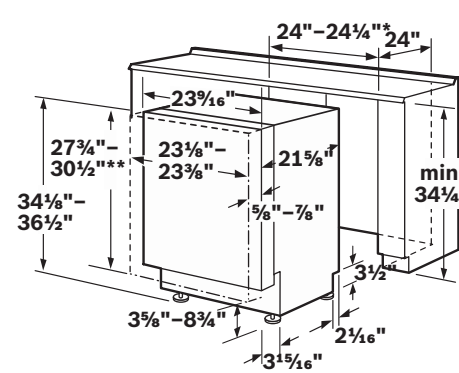
SHX4AP05UC, SHX5AL05UC, SHX6AP05UC



* 23 9/16" without decor strips

** Measured from the lower edge of the worktop.
Recommended panel thickness 3/4".
Panel weight 9-18 lbs.

SHV43P13UC, SHV65P03UC, SHV68P03UC



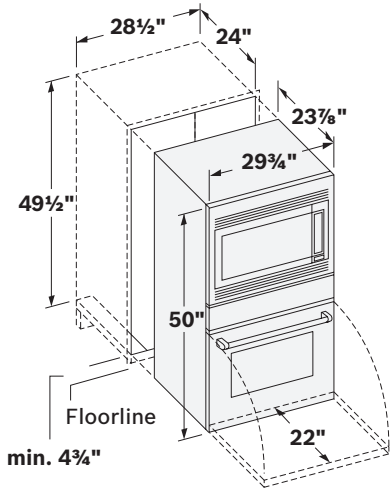
* 23 9/16" without decor strips

** Measured from the lower edge of the worktop.
Recommended panel thickness 3/4".
Panel weight 9-18 lbs.

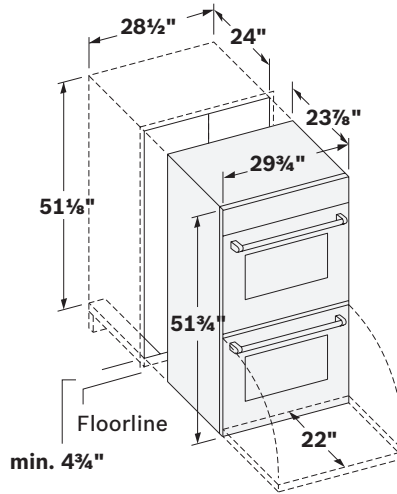
SHV58E13UC, SHV68E13UC

Oven, Microwave and Warming Drawer Dimensions and Installation

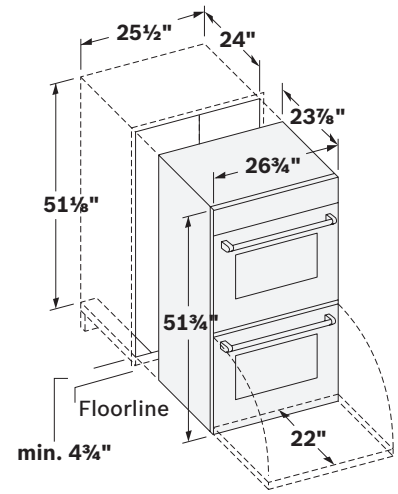
Ovens



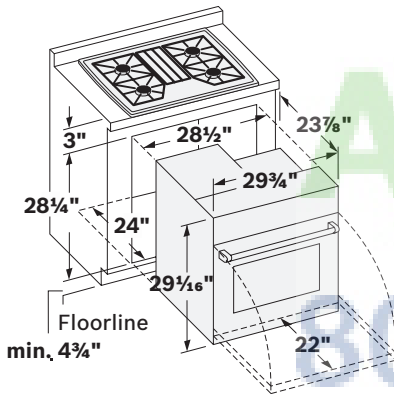
30" Combination Models



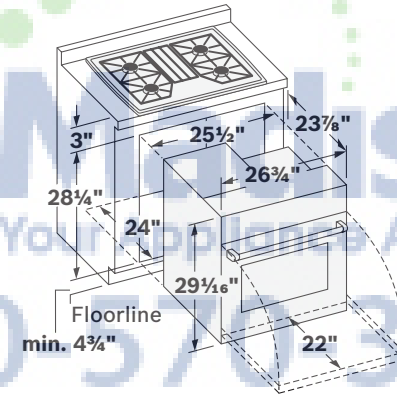
30" Double Models



27" Double Models

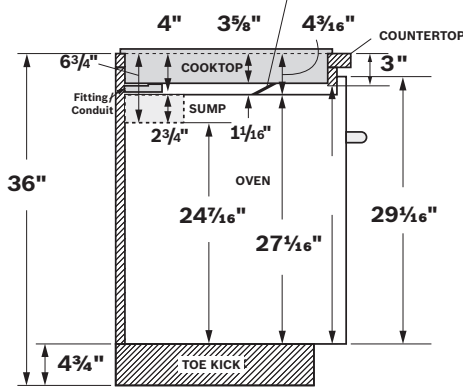


30" Single Models



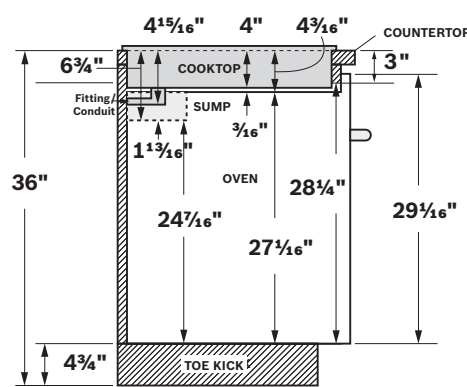
27" Single Models

Heat shield: Self positioning – 2 3/8" length, Minimum required air clearance: 1"



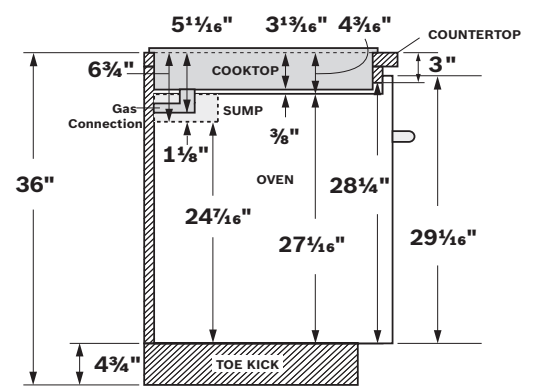
30" Single Models, Under Induction Cooktop

The built-in oven can be installed below the induction cooktop as long as there is an air clearance of 1" between the bottom of the cooktop and the top of the oven.



30" Single Models, Under Electric Cooktop

The built-in oven can be installed below the electric cooktop as long as there is no contact between the bottom of the cooktop and the top of the oven.



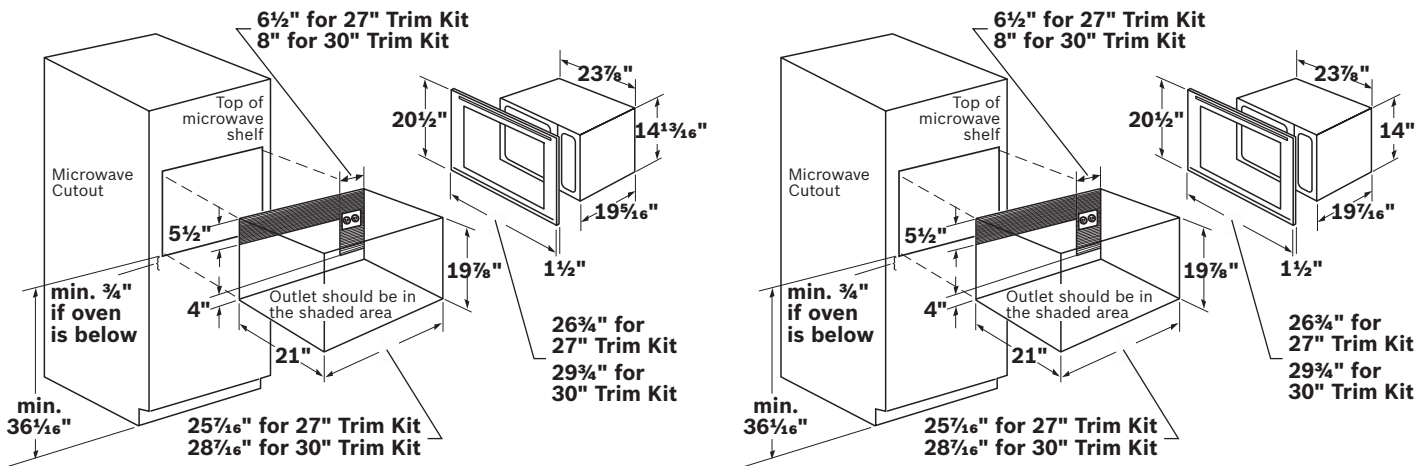
30" Single Models, Under Gas Cooktop

The built-in oven can be installed below the gas cooktop as long as there is no contact between the bottom of the cooktop and the top of the oven.

Note: Dimensions based on standard countertop height (36" with 4" toe kick including base plate).

Note: Dimensions are for planning only. For details, see installation manual, or visit www.bosch-home.com/us. Specifications subject to change without notice. For immediate installation dimensions by fax, call 1.925.284.3558. Use code #8317 for a directory of Bosch products. Also available online at dexpress.com.

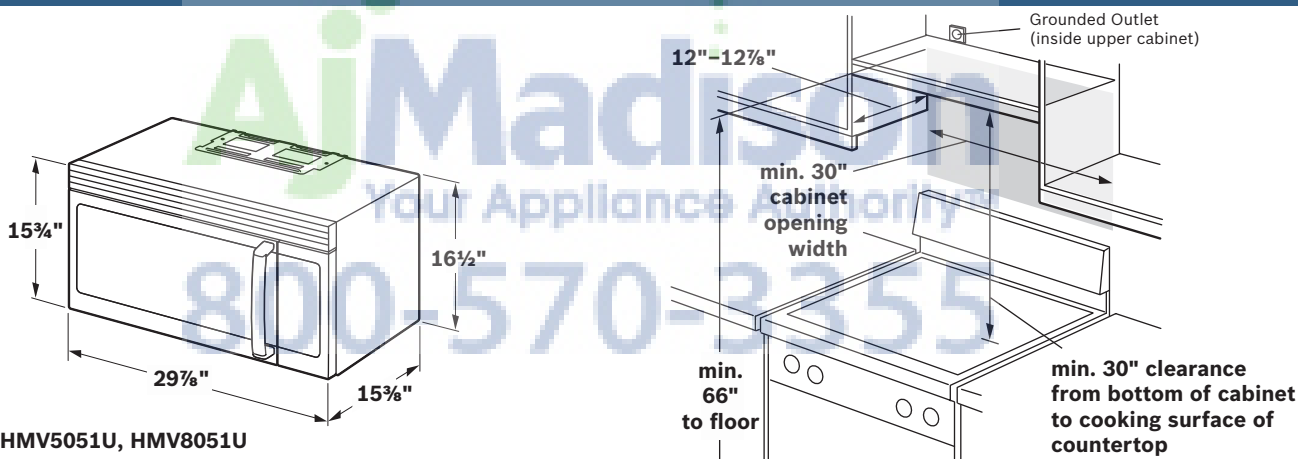
Built-in Microwaves



HMB80x0

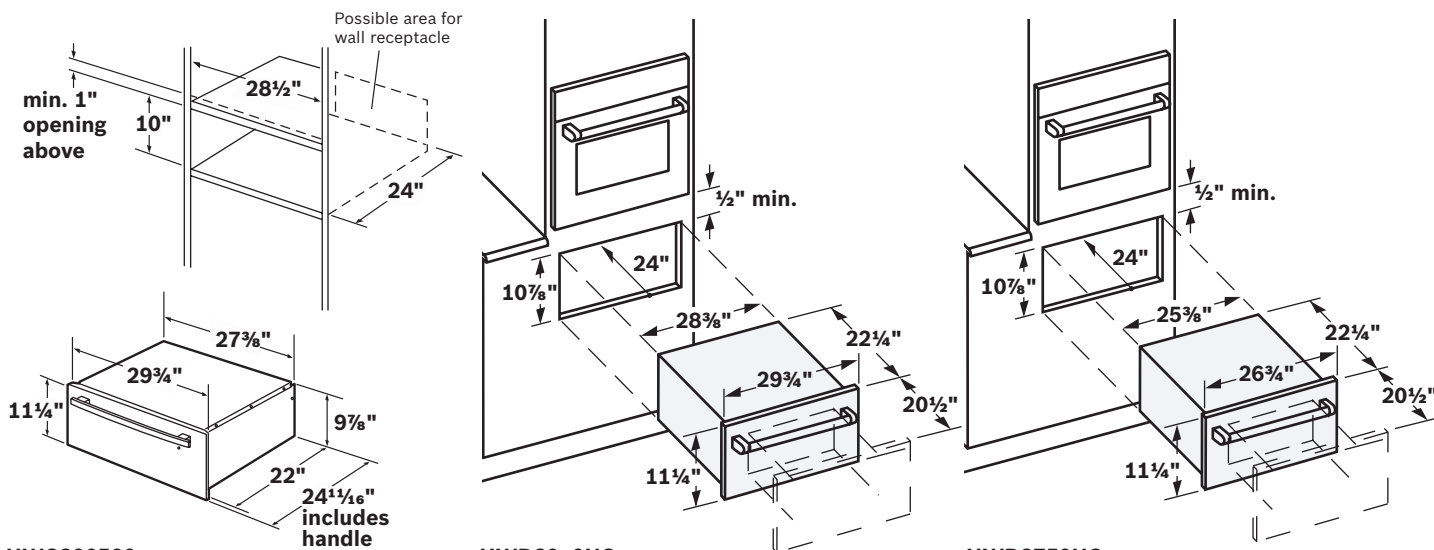
HMB50x0

Over-the-Range Microwaves



HMV30x1U, HMV5051U, HMV8051U

Warming Drawers



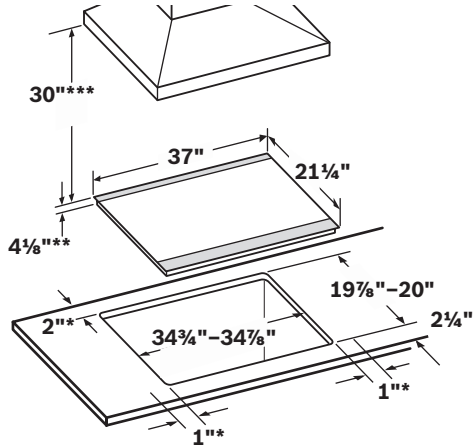
HWC800500

HWD30x0UC

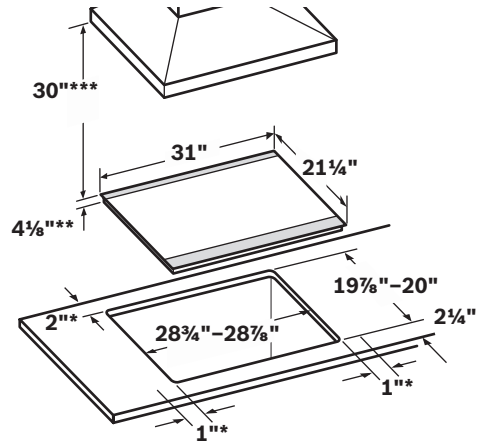
HWD2750UC

Cooktop Dimensions and Installation

Induction Cooktops



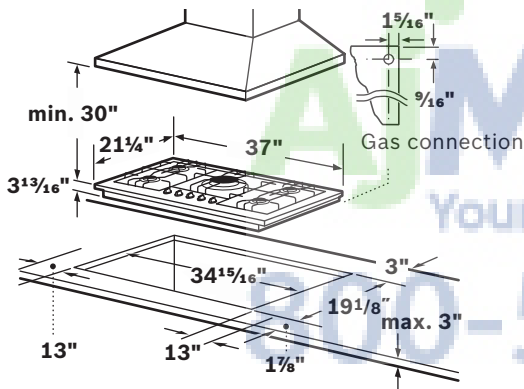
36" Models



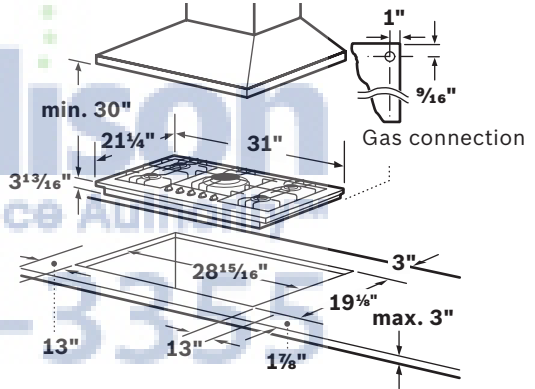
30" Models

- * Minimum distance from the cooktop cutout to the wall
- ** Installed depth includes 1" of air clearance
- *** Minimum distance between surface of the cooktop and lower edge of the exhaust hood

Gas Cooktops

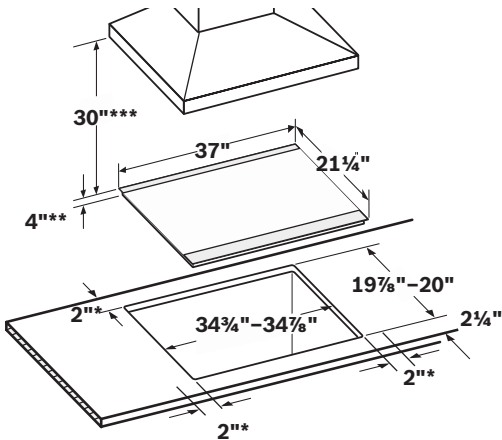


36" Models

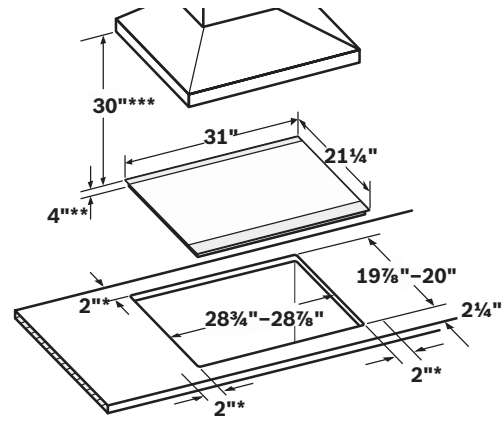


30" Series Models

Electric Cooktops



36" Models



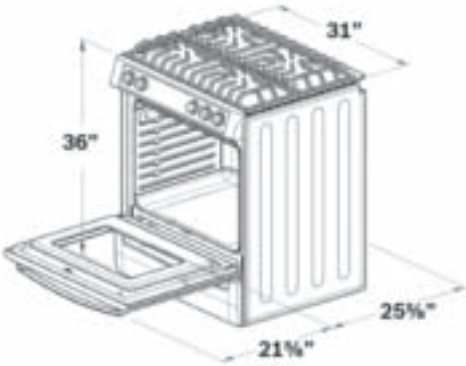
30" Series Models

- * Minimum distance from the cooktop cutout to the wall
- ** Maximum cutout depth
- *** Minimum distance between surface of the cooktop and lower edge of the exhaust hood

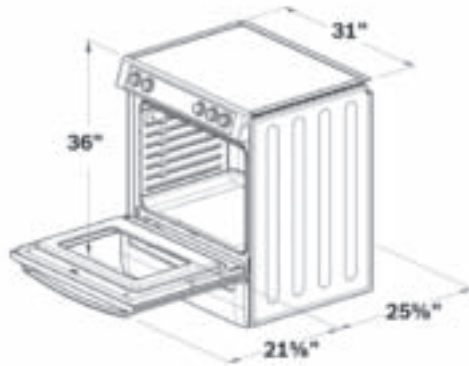
Note: Dimensions are for planning only. For details, see installation manual, or visit www.bosch-home.com/us. Specifications subject to change without notice. For immediate installation dimensions by fax, call 1.925.284.3558. Use code #8317 for a directory of Bosch products. Also available online at dexpress.com.

Range Dimensions and Installation

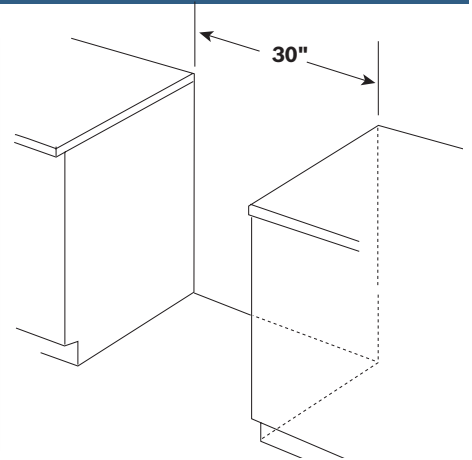
Slide-in Ranges



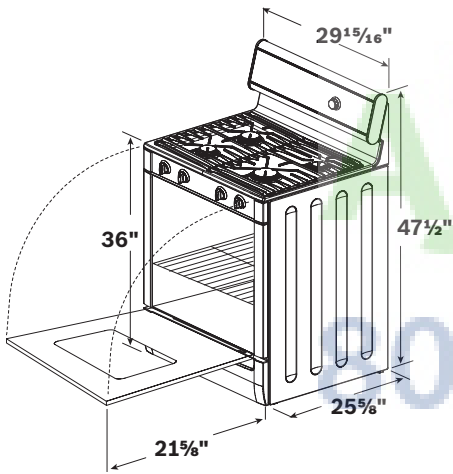
700 Series Dual-Fuel Models



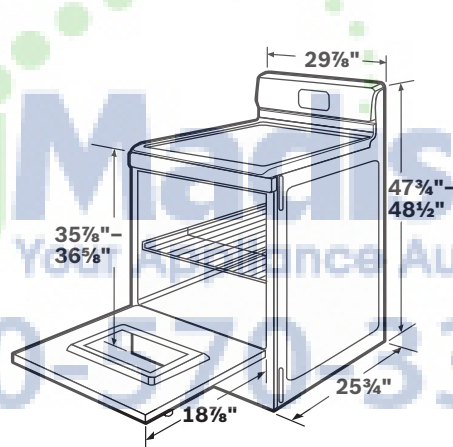
700 Series Electric Models



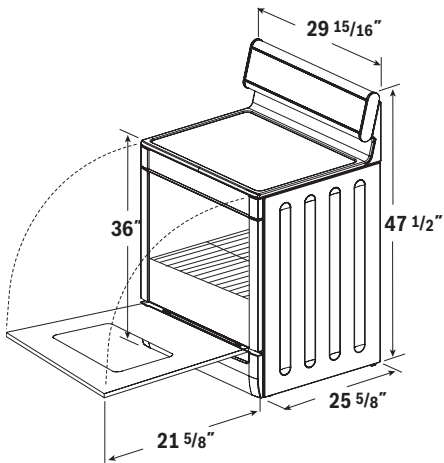
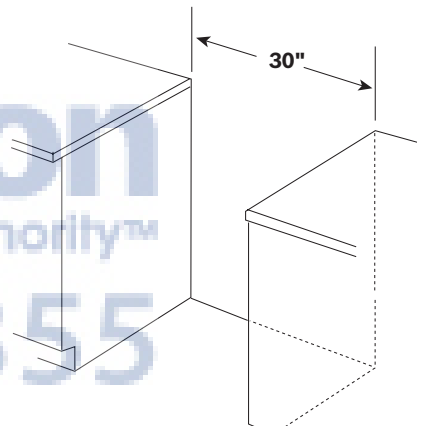
Freestanding Ranges



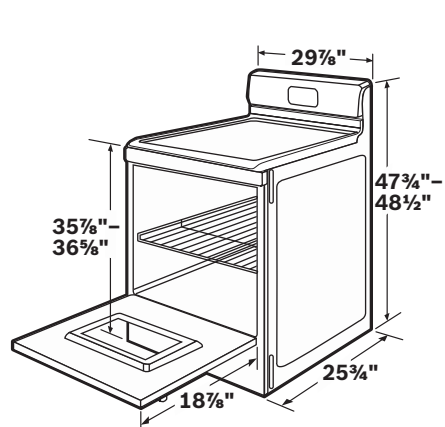
700 Series Gas/Dual-Fuel Models



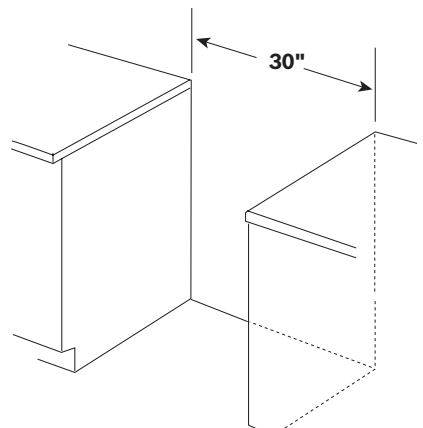
500 and 300 Series Gas Models



700 Series Electric Models

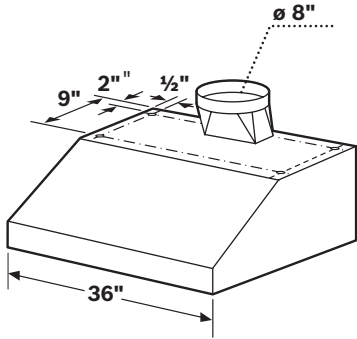


500 and 300 Series Electric Models

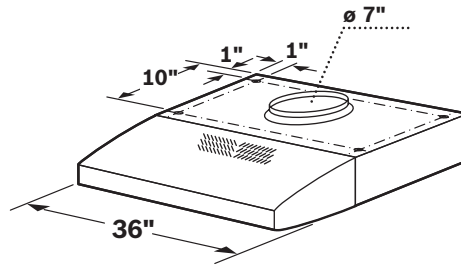


Ventilation Dimensions and Installation

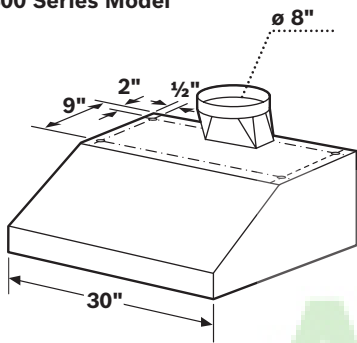
Under-Cabinet Wall Hoods



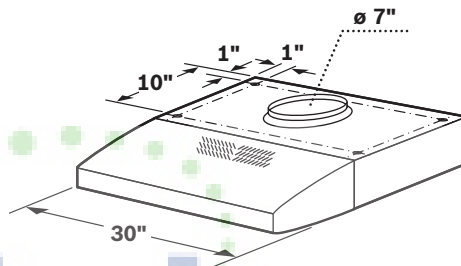
36" 800 Series Model



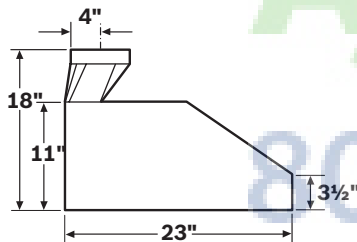
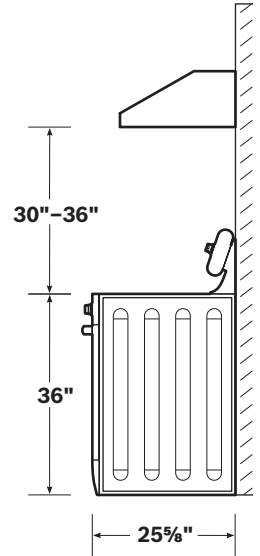
36" 500 and 300 Series Models



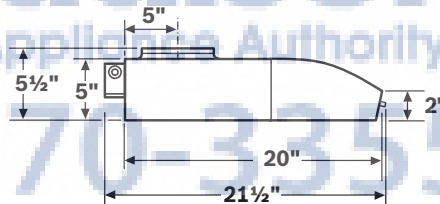
30" 800 Series Model



30" 500 and 300 Series Models

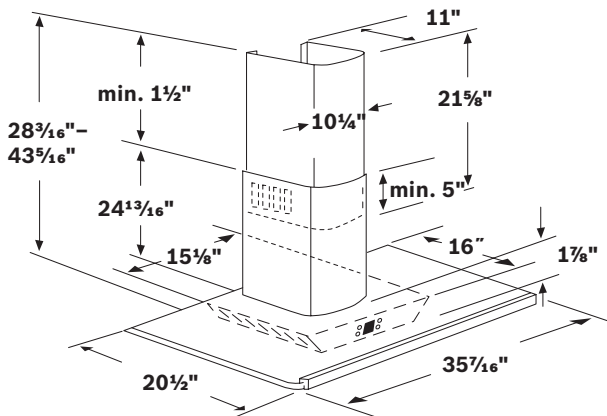


30" and 36" 800 Series Model side view

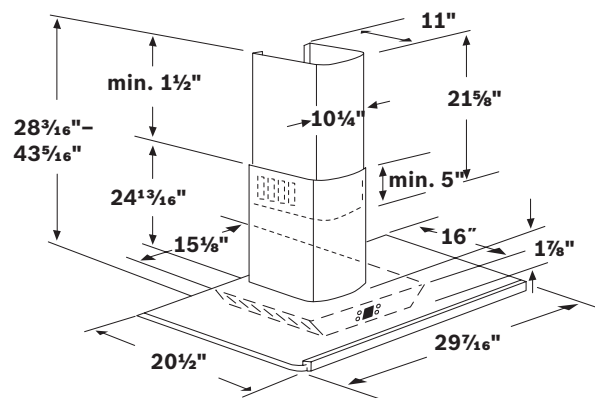


30" and 36" 500 and 300 Series Models

Canopy Wall Hoods



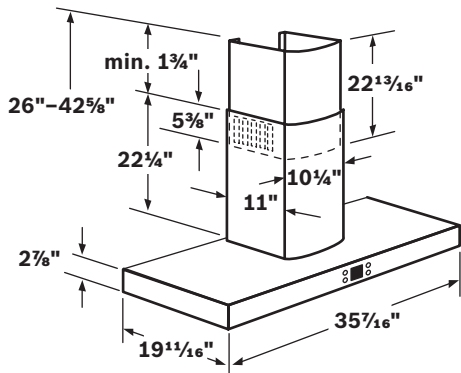
36" 800 Series Models



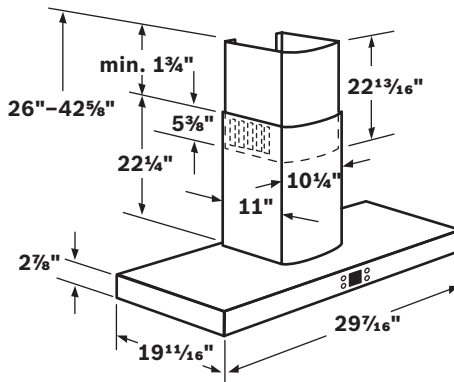
30" 800 Series Models

Note: Dimensions are for planning only. For details, see installation manual, or visit www.bosch-home.com/us. Specifications subject to change without notice. For immediate installation dimensions by fax, call 1.925.284.3558. Use code #8317 for a directory of Bosch products. Also available online at dexpress.com.

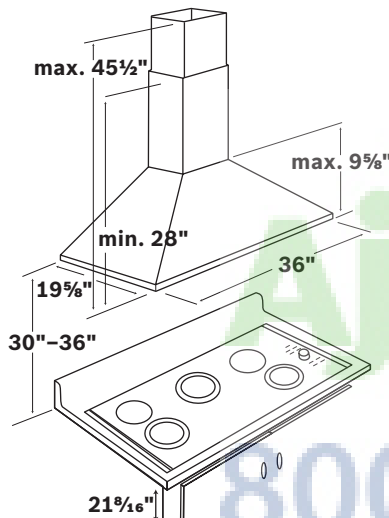
Canopy Wall Hoods



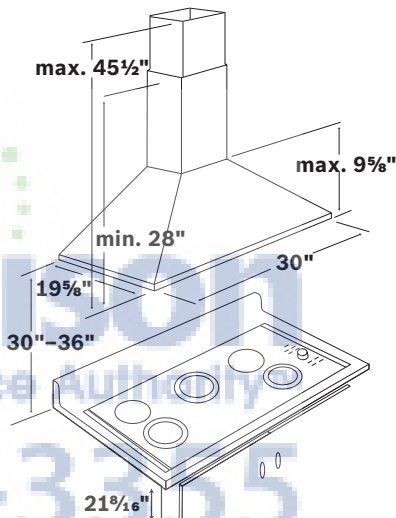
36" 500 Series Models



30" 500 Series Models

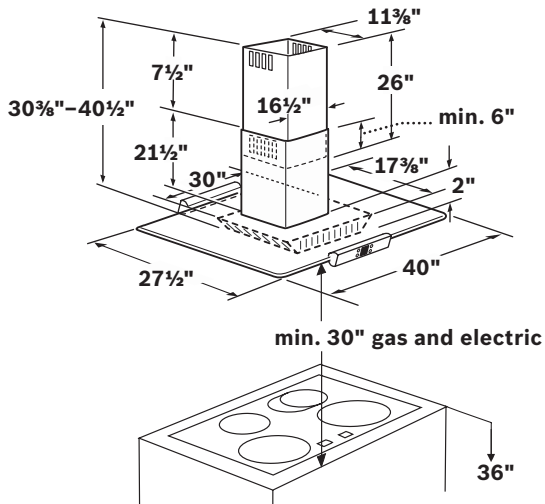


36" 300 Series Models

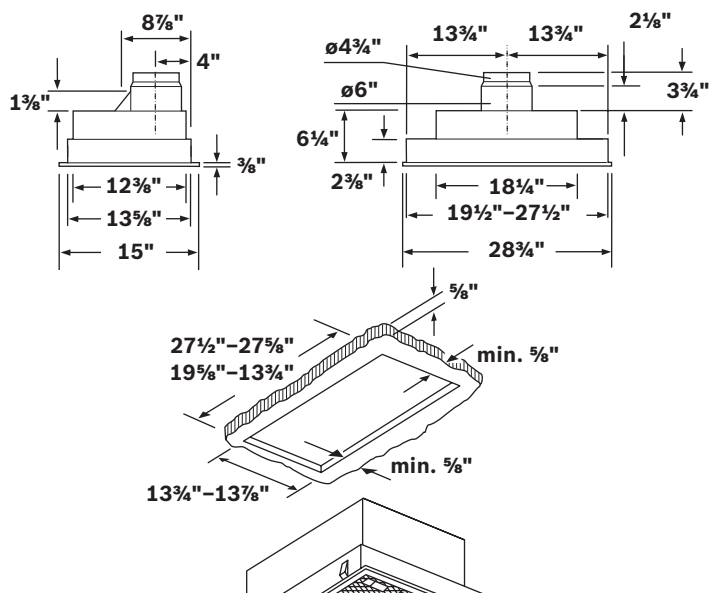


30" 300 Series Models

Island and Custom Insert Hoods



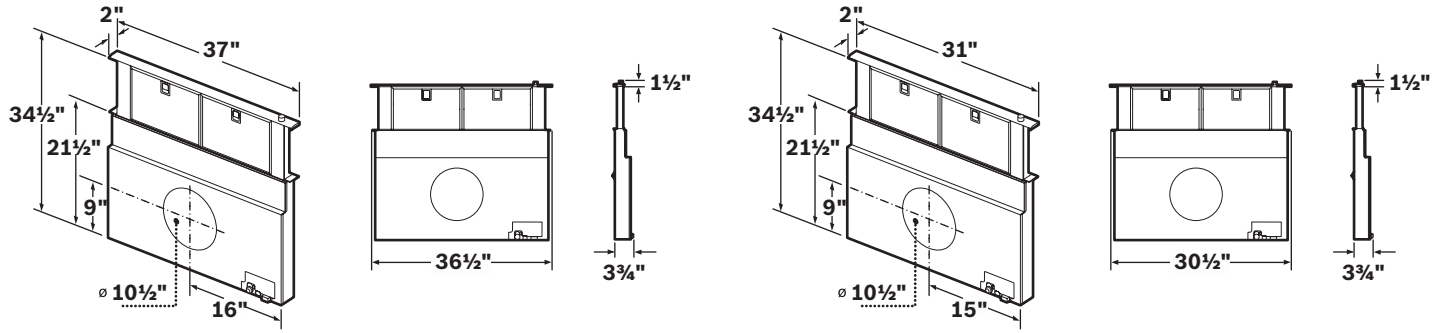
Glass Canopy Island Hood



Custom Insert Hood

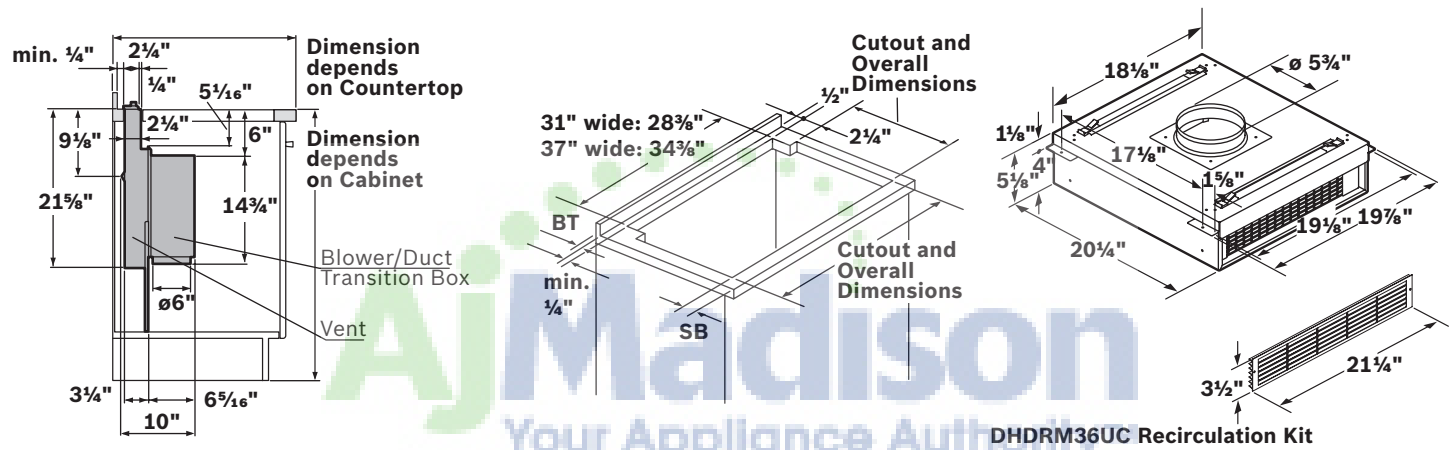
Ventilation Dimensions and Installation

Downdraft



36" Downdraft

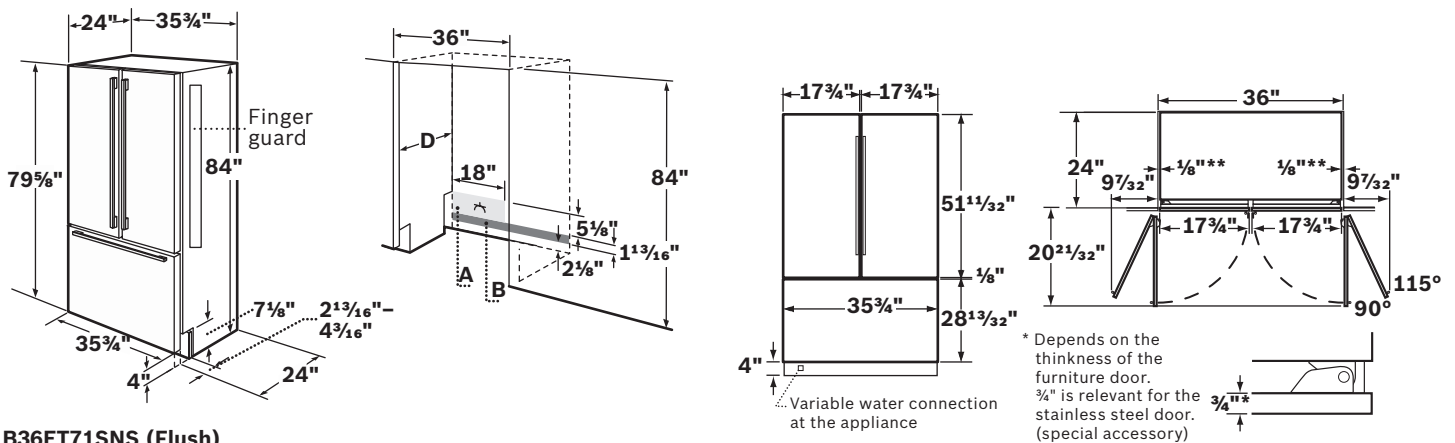
30" Downdraft



DHDRM36UC Recirculation Kit

Refrigeration Dimensions and Installation

Built-in French Door Refrigerators

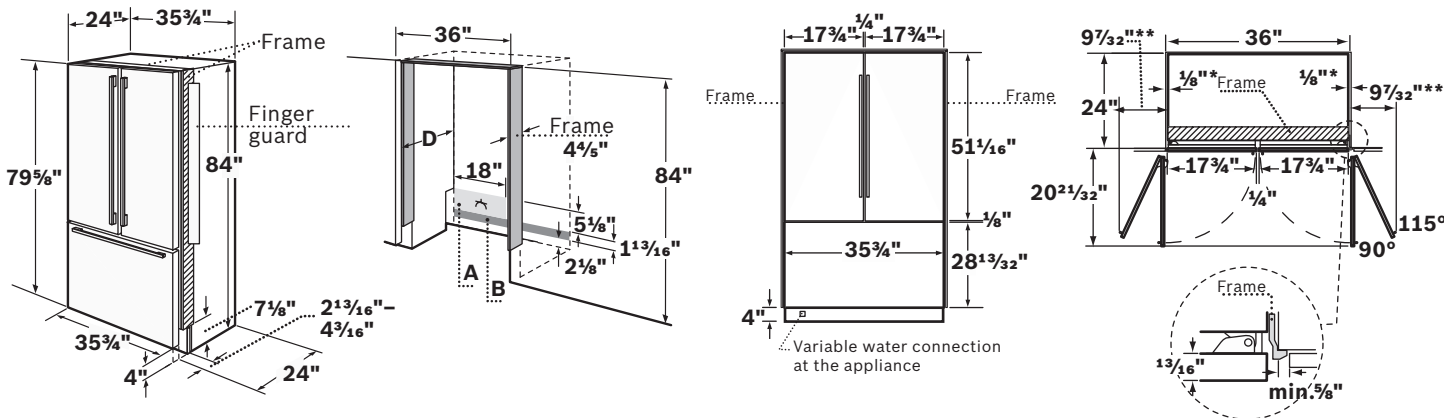


B36ET71SNS (Flush)

A: Area for installation of power connection.
B: Area for running the water line. It is recommended that the water-box is placed adjacent to the installation cavity, so that it can be accessed for service without uninstalling the appliance. If this is not possible, place the recessed water-box adjacent to the water supply socket elevated at the heights as referenced in areas A and B.
D: Niche depth must be a minimum 24" deep.

Note: Dimensions are for planning only. For details, see installation manual, or visit www.bosch-home.com/us. Specifications subject to change without notice. For immediate installation dimensions by fax, call 1.925.284.3558. Use code #8317 for a directory of Bosch products. Also available online at dexpress.com.

Built-in French Door Refrigerators

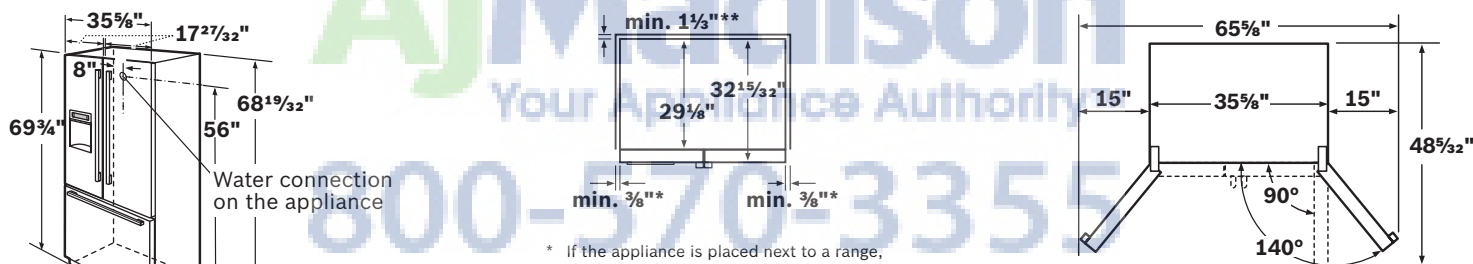


B36IT71SNS (Framed)

* Required space for finger guard
 ** Door handle must be added to this dimension.

A: Area for installation of power connection.
B: Area for running the water line. It is recommended that the water-box is placed adjacent to the installation cavity, so that it can be accessed for service without uninstalling the appliance. If this is not possible, place the recessed water-box adjacent to the water supply socket elevated at the heights as referenced in areas A and B.
D: Niche depth must be a minimum 24" deep.

Freestanding French Door Refrigerators

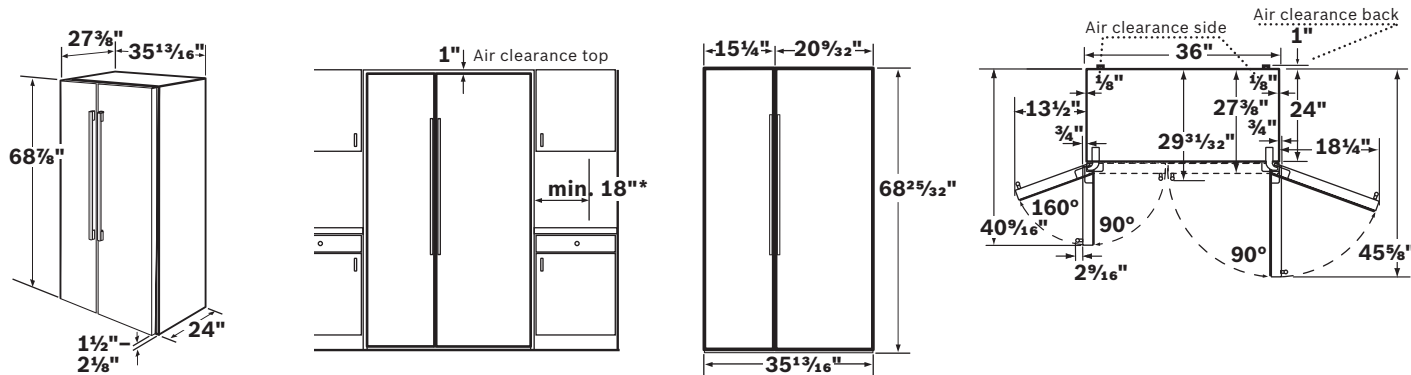


B26FT70SNS

* If the appliance is placed next to a range, the lateral distance must be at least min. 15".
 ** The clearance in the back must include the space of the water connection.

Drawers can be pulled out with door open 90°. Drawers can be taken out with door completely opened.

Freestanding Side-by-side Refrigerators

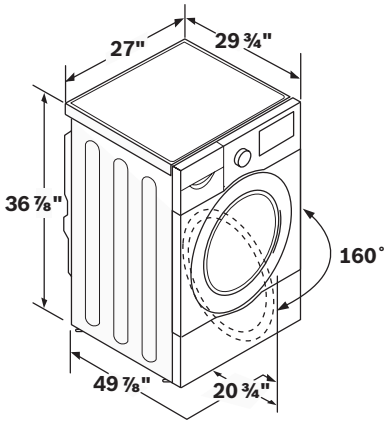


B22CSx0SNx

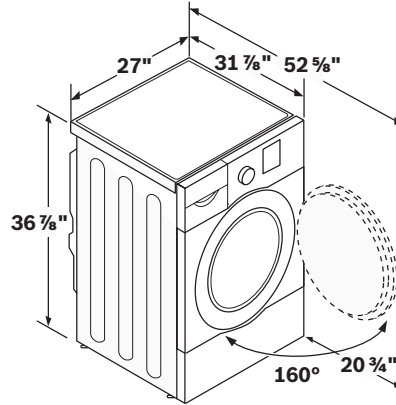
* Minimum fixed wall position

Laundry Dimensions and Installation

Full Size Washers and Dryers

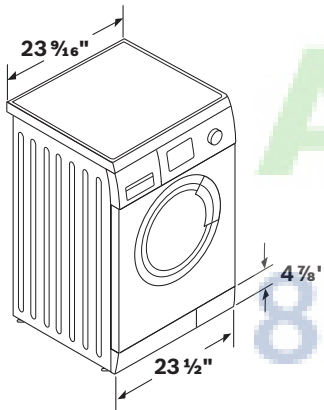


Washers

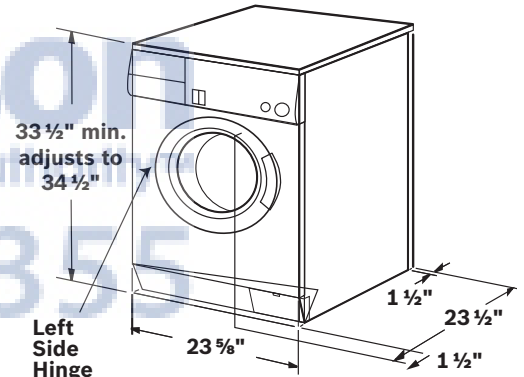
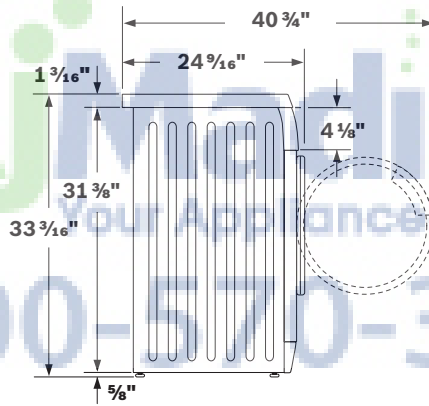


Dryers

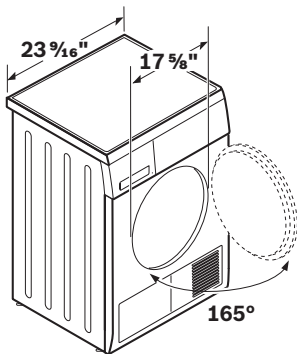
Compact Washers and Dryers



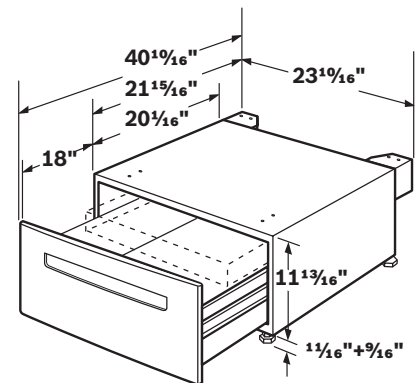
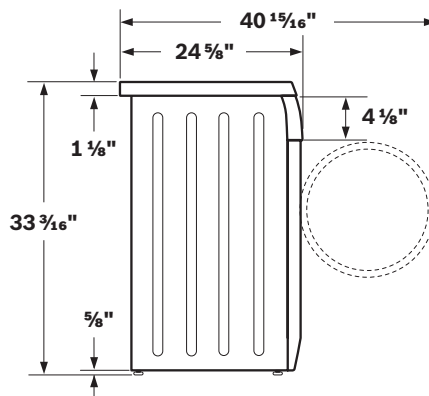
WAS Washers¹



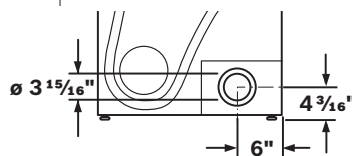
WFL Washers²



WTE/WTV Dryers



WMZ20460

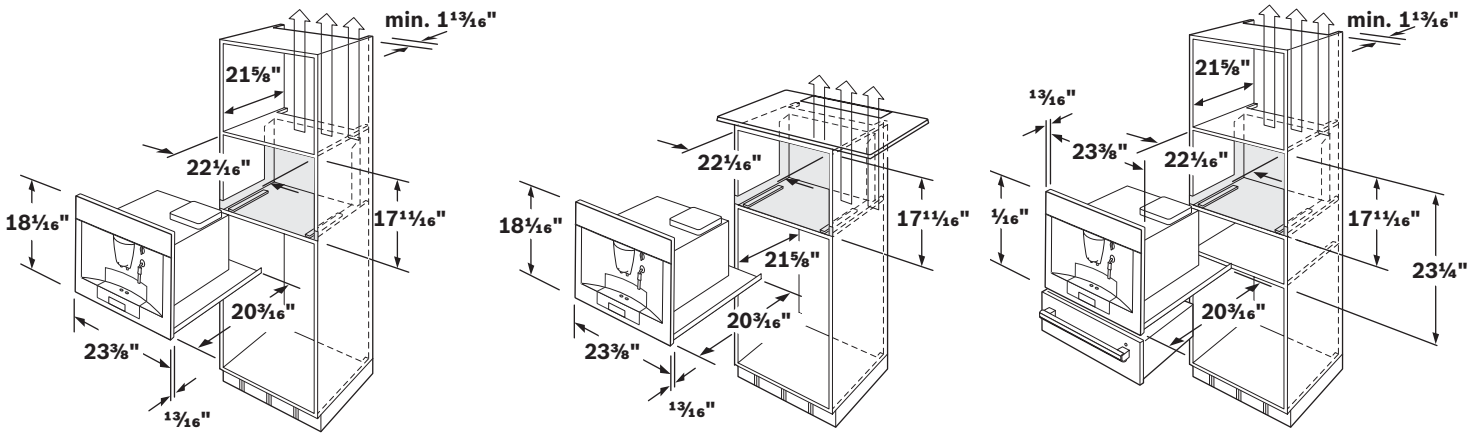


¹ Minimum stacking height 68 1/2"
² Minimum stacking height 68 5/8"

Note: Dimensions are for planning only. For details, see installation manual, or visit www.bosch-home.com/us. Specifications subject to change without notice. For immediate installation dimensions by fax, call 1.925.284.3558. Use code #8317 for a directory of Bosch products. Also available online at dexpress.com.

Built-in Coffee Machine Dimensions and Installation

Built-in Benvenuto® Coffee Machine



TKN68E75UC





AjMadison
Your Appliances Authority™
800-570-3355