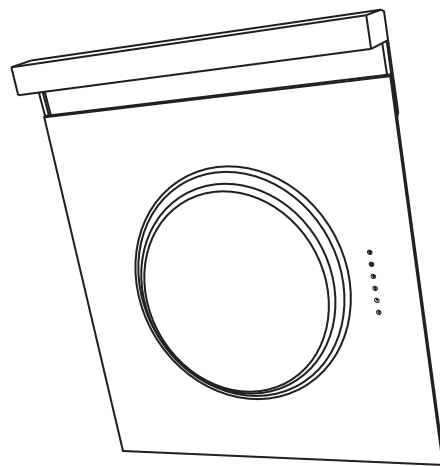
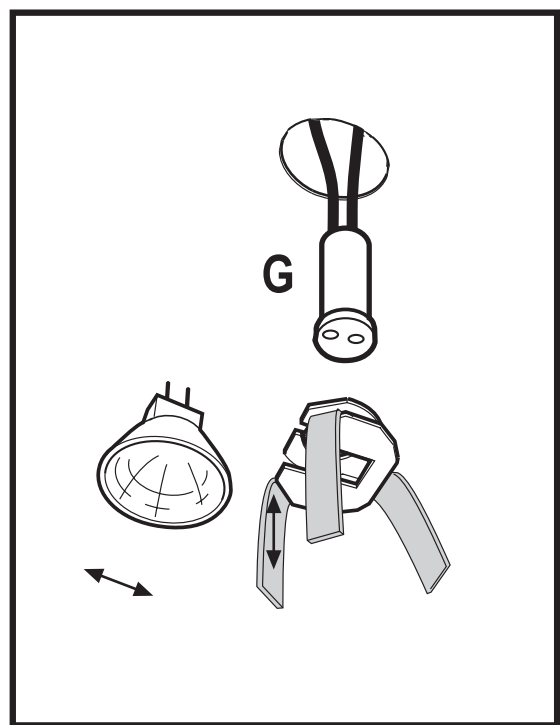
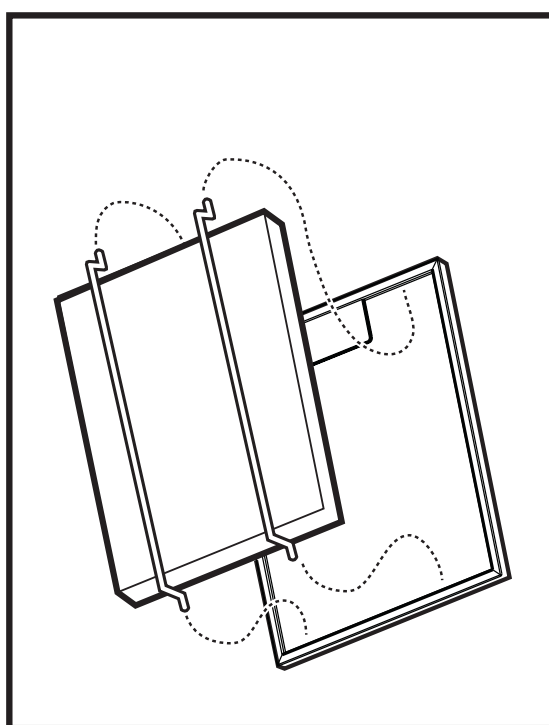
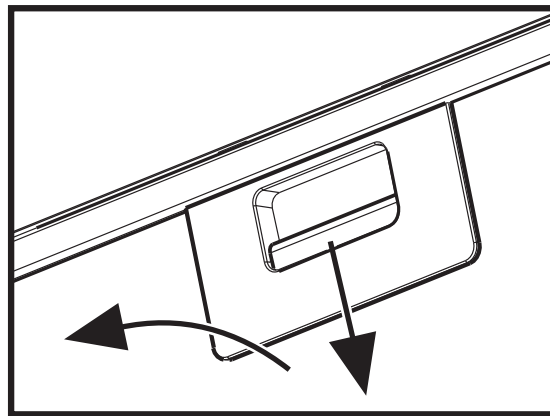
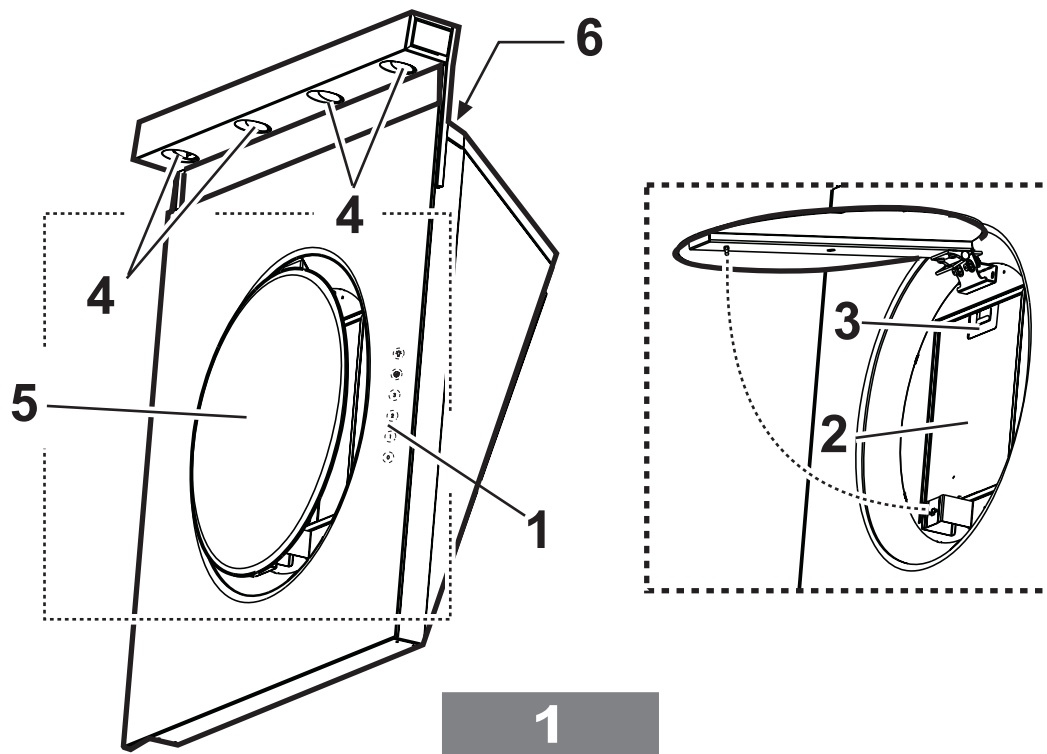
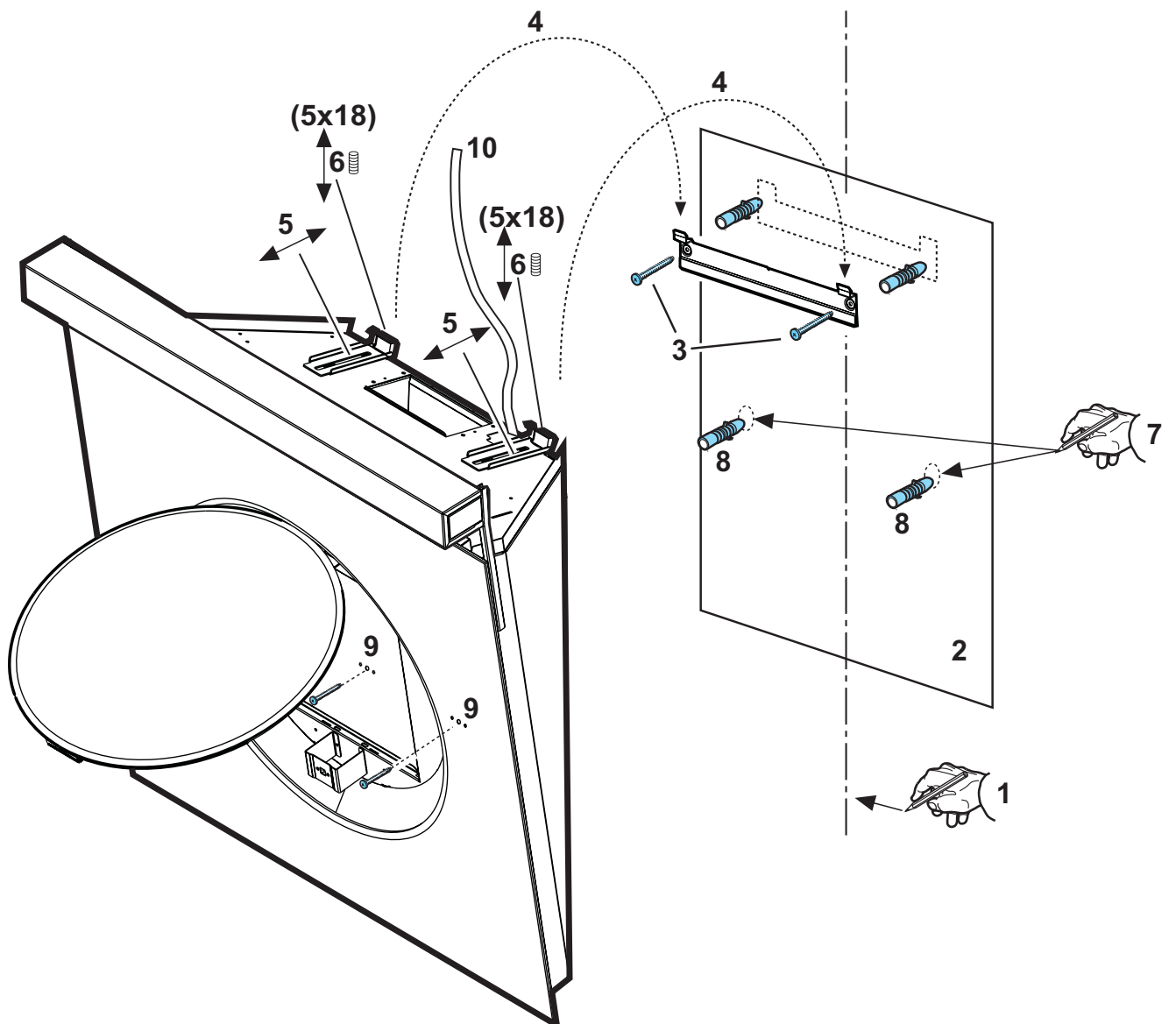
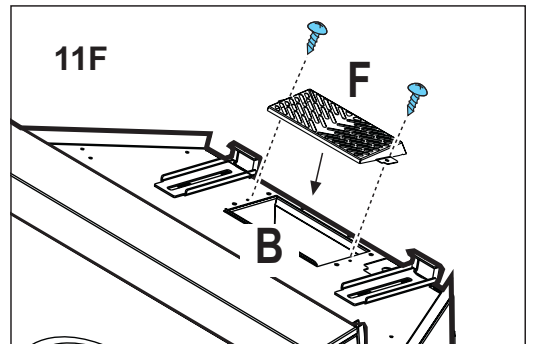
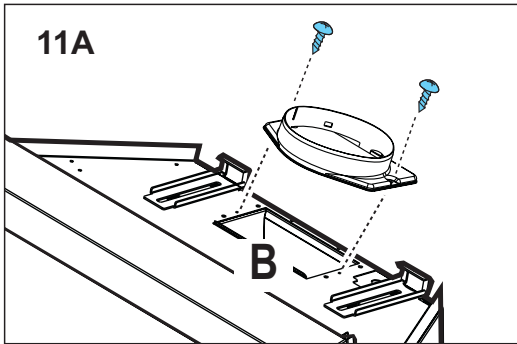
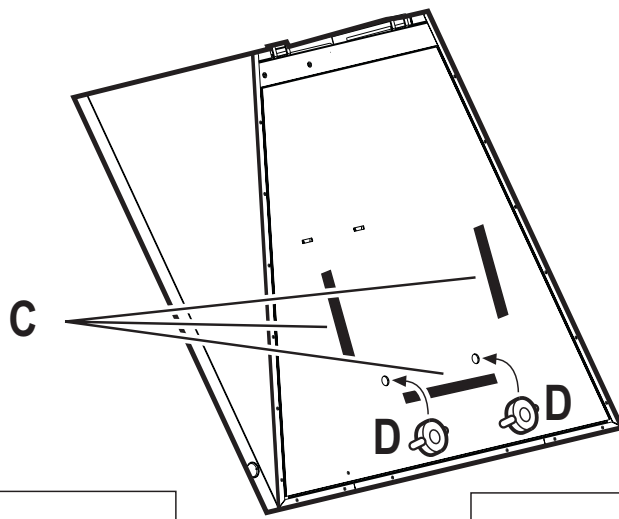


Om

Design Team Elica







Description of the hood - Fig. 1

- 1 Control panel
- 2 Grease filter
- 3 Grease filter release handle
- 4 Halogen lamp
- 5 Vapour screen
- 6 Air outlet

Operation

Use the high suction speed in cases of concentrated kitchen vapours. It is recommended that the cooker hood suction is switched on for 5 minutes prior to cooking and to leave in operation during cooking and for another 15 minutes approximately after terminating cooking.

The steam screen must always be left closed and opened only for maintenance (e.g. cleaning or changing filters).

To select the functions of the hood just touch the commands.



ON/OFF light key.



Selection speed key (suction power) intensive – duration 5 minutes – press again to return to the previous setting.



Selection speed key (suction power) high.



Selection speed key (suction power) medium.



Selection speed key (suction power) low.



Motor OFF key.

If the hood fails to operate correctly, briefly disconnect it from the mains power supply for almost 5 sec. by pulling out the plug. Then plug it in again and try once more before contacting the Technical Assistance Service.

Maintenance

Prior to any maintenance operation ensure that the cooker hood is disconnected from the power supply.

Cleaning

The cooker hood should be cleaned regularly internally and externally.

For cleaning use a cloth moistened with denatured alcohol or neutral liquid detergents. Avoid abrasive detergents.

Warning:

Failure to carry out the basic standards of the cleaning of the cooker hood and replacement of the filters may cause fire risks.

Therefore we recommend observing these instructions.

Steam screen

The steam screen must always be left closed and opened only for maintenance (e.g. cleaning or changing filters).

Opening the steam screen:

Extract the screen outwards with decision.

Closing the steam screen:

Close it and check that the pin of the screen fits perfectly into its seat on the hood.

Press firmly and check that it has closed properly.

Grease filter

This must be cleaned once a month using non aggressive detergents, either by hand or in the dish-washer, which must be set to a low temperature and a short cycle.

When washed in a dish-washer, the grease filter may discolour slightly, but this does not affect its filtering capacity.

Removing the grease filters - Fig. 2

Open the steam screen.

Pull the handle downwards and extract the filter.

Charcoal filter (filter version only)

It absorbs unpleasant odours caused by cooking.

The charcoal filter can be washed once every two months using hot water and a suitable detergent, or in a dish-washer at 65°C (if the dish-washer is used, select the full cycle function and leave dishes out).

Eliminate excess water without damaging the filter, then remove the mattress located inside the plastic frame and put it in the oven for 10 minutes at 100° C to dry completely. Replace the mattress every 3 years and when the cloth is damaged.

- **Montage - Fig. 3**

Open the steam screen and remove the grease filter. Install the carbon filter on the back of the grease filter and fix with two rods.

Attention! The rods are included in the carbon filter packing and not on the hood.

- To dismantle the filter act in the reverse manner.

Replacing lamps - Fig. 4

Firstly check that the lamps are well cooled prior to replacing them.

Use a small screwdriver as a lever on the borders of the lamp in order to remove the lightbulb.

Unthread the connector **G**.

Slide out the lightbulb to be replaced and replace with a new 12V 20W 30° Ø35 12V GU4 PHILIPS STANDARD LINE code 425409.

Carry out the replacement and mount the new lightbulb by following instructions in the reverse.

If the lights do not work, make sure that the lamps are fitted properly into their housings before you call for technical assistance.

Caution

This appliance is designed to be operated by adults. Children should not be allowed to tamper with the controls or play with the appliance.

Do not use the cooker hood where the grill is not correctly fixed! The suctioned air must not be conveyed in the same channel used for fumes discharged by appliances powered by other than electricity. The environment must always be adequately aerated when the cooker hood and other appliances powered by other than electricity are used at the same time. Flambé cooking with a cooker hood is prohibited. The use of a free flame is damaging to the filters and may cause fire accidents, therefore free flame cooking must be avoided. Frying of foods must be kept under close control in order to avoid overheated oil catching fire. Carry out fumes discharging in accordance with the regulations in force by local laws for safety and technical restrictions.

Installation - Fig. 5

Consult the designs in the front pages referenced in the text by alphabet letters. **Closely follow the instructions set out in this manual.** All responsibility, for any eventual inconveniences, damages or fires caused by not complying with the instructions in this manual, is declined.

The hood must be at a distance of not less than 30 cm from the cooking top with electric plates.

The hood is supplied with an upper air exit **B** to allow fumes to escape outside (**Suction version** – discharge tube and fixing bands not supplied).

In the case in which it is not possible to discharge the fumes and steam outside, the **filtering version** mounted upon an active carbon filter and **F** deflector can be used to cover the upper air exit **B**. The fumes and steam will be recycled through the **F** deflector.

Preliminary information for installation of the hood

Expansion wall plugs are provided to secure the hood to most types of walls/ceilings. However, a qualified technician must verify suitability of the materials in accordance with the type of wall/ceiling. The wall/ceiling must be strong enough to take the weight of the hood.

Do not tile, grout or silicone this appliance to the wall. Surface mounting only.

Only for some models

An aesthetic flue can be purchased as an optional accessory. Check with the assistance centre whether the model in your possession envisages this possibility.

We advise installing the hood after having purchased the flue to check with certainty the most suitable installation.

During electrical connection ensure the power supply is disconnected at the domestic main switch.

- Apply three adhesive strips **C** to the back of the hood. If necessary (in the case of walls not perfectly perpendicular or in the presence of walls partly covered with tiles) apply two **D** spacers in correspondence with the definitive fixing holes (click fixing).
- Trace a centre line on the wall to facilitate the montage **(1)**, position the hole template so that the middle line printed on it corresponds to the centre line previously drawn and that the lower side of the grill corresponds to the lower part of the hood once mounted **(2)**.
- Make two holes with the 8 mm Ø drill and fix the support bracket with two dowels and wall screws **(3)**.
- Open the steam screen and remove the grease filter (see relative paragraph).
- Hang up the hood **(4)**, adjusting its position **(5-6)** and from the inner part of the hood mark two points for the definitive fixing **(7)**. Remove the hood and make two 8 mm Ø holes **(8)**, insert two wall dowels, hang the hood up again and fix it definitively with two screws **(9)**.
- Connect the electricity **(10)**, but leave the hood disconnected from the general electric panel of the house.
- If the hood is to be used in the suction version, install the flange supplied in the kit on the exit hole of the hood **(11A** - suction version – also install a fumes discharge tube of suitable dimensions) instead of the deflector **(11F – filtering version)**.
- Mount the grease filter and close the steam screen. **Attention!** If the hood is to be used in the suction version, remove, if supplied with the kit, the carbon filter and the fixing rods (on the back of the grease filter – see relative paragraph).
If the hood is to be used in the filtering version, check that the carbon filter is already mounted on the back of the grease filter or, in its absence, purchase it and install it.
- Connect the hood to the general electric panel and check its functioning.

Electrical connection

The electrical tension must correspond to the tension noted on the label placed inside the cooker hood. Connect the electrical plug, where provided, to the an easily accessible outlet in conformity with local standards in force.

Where an electrical plug is not provided (for direct connection to electrical network) place a standards approved bipolar switch with an aperture distance of not less than 3mm (accessible) from the contacts.