

EO, MOH, MOV



27 and 30 Inch Wide, Double, Discovery Wall Ovens

PLANNING GUIDE

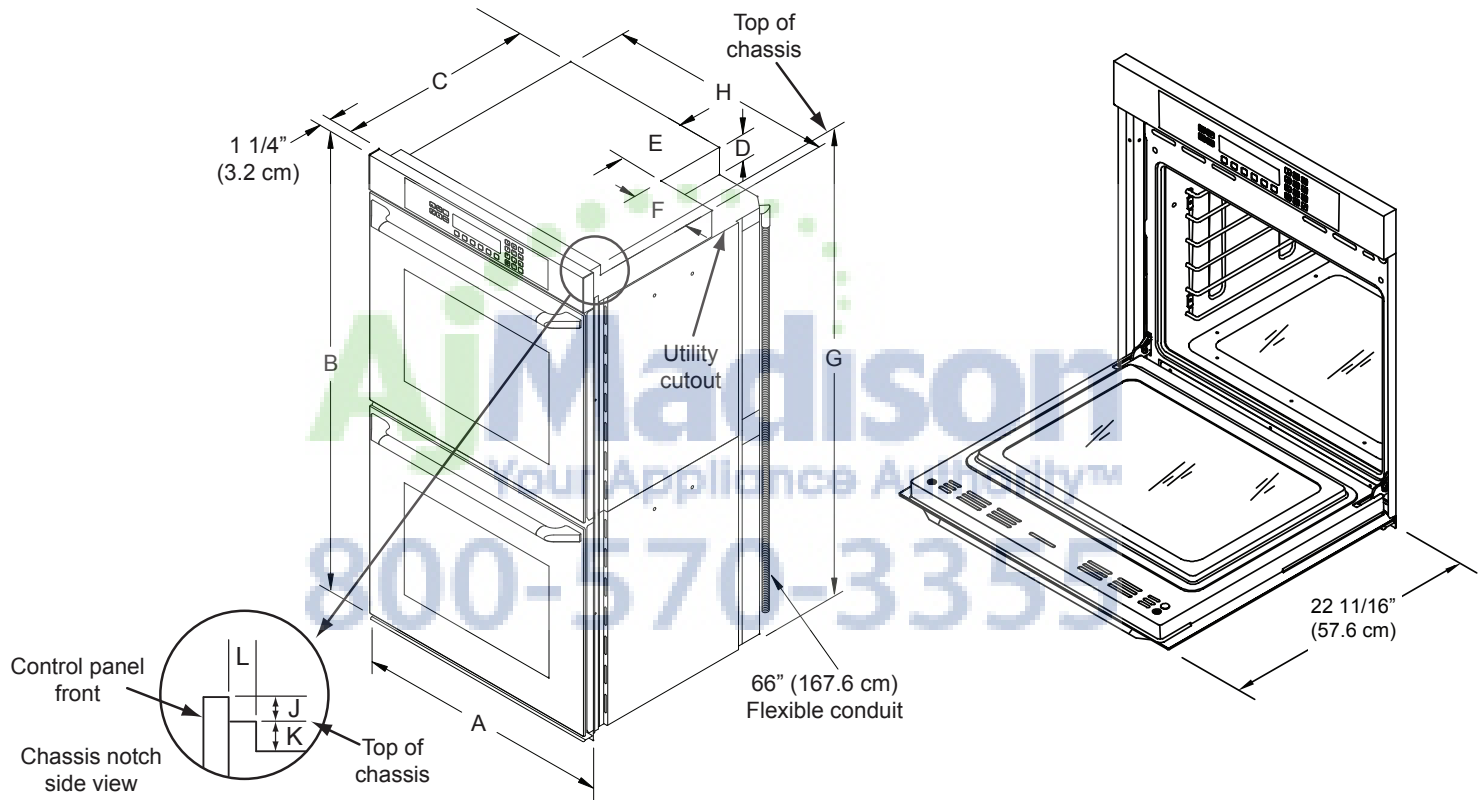
WARNING

- Observe all governing codes and ordinances during planning and installation. Contact your local building department for further information.
- This appliance must be installed in accordance with the accompanying installation instructions.

Dedicated Circuit Required	Total Connected Load	Approximate Shipping Weight
240 Vac, 4-wire*, 60 Hz, 50 Amp.	9.25 kW (38.9 Amp.)	415 lbs.

* Two 120 Vac hot (L1 and L2), one neutral, one ground.

Product tolerances: ±1/16" (±1.6 mm), unless otherwise stated.



Model	A	B	C	D	E	F	G	H	J	K	L
EO227	27" (68.6 cm)	51 1/16" (129.7 cm)	23 3/8" (59.4 cm)	2 5/16" (5.9 cm)	7 3/8" (18.7 cm)	6 3/8" (16.2 cm)	50 1/2" (128.3 cm)	25 3/8" (64.4 cm)	9/16" (1.4 cm)	1" (2.5 cm)	1 7/8" (4.6 cm)
MOH227											
MOV227	30" (76.2 cm)	51 1/16" (129.7 cm)	23 3/8" (59.4 cm)	2 5/16" (5.9 cm)	7 3/8" (18.7 cm)	6 3/8" (16.2 cm)	50 1/2" (128.3 cm)	28 3/8" (72.0 cm)	9/16" (1.4 cm)	1" (2.5 cm)	1 7/8" (4.6 cm)
EO230											
MOH230											
MOV230											

PRODUCT DIMENSIONS

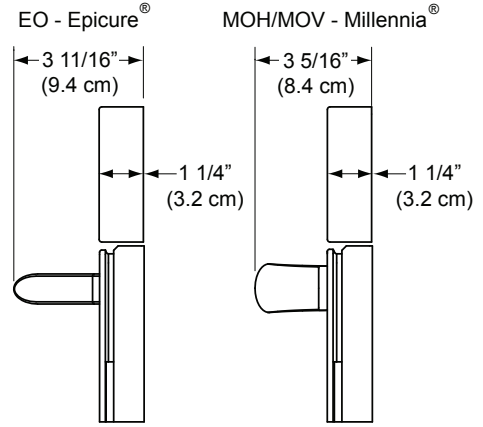
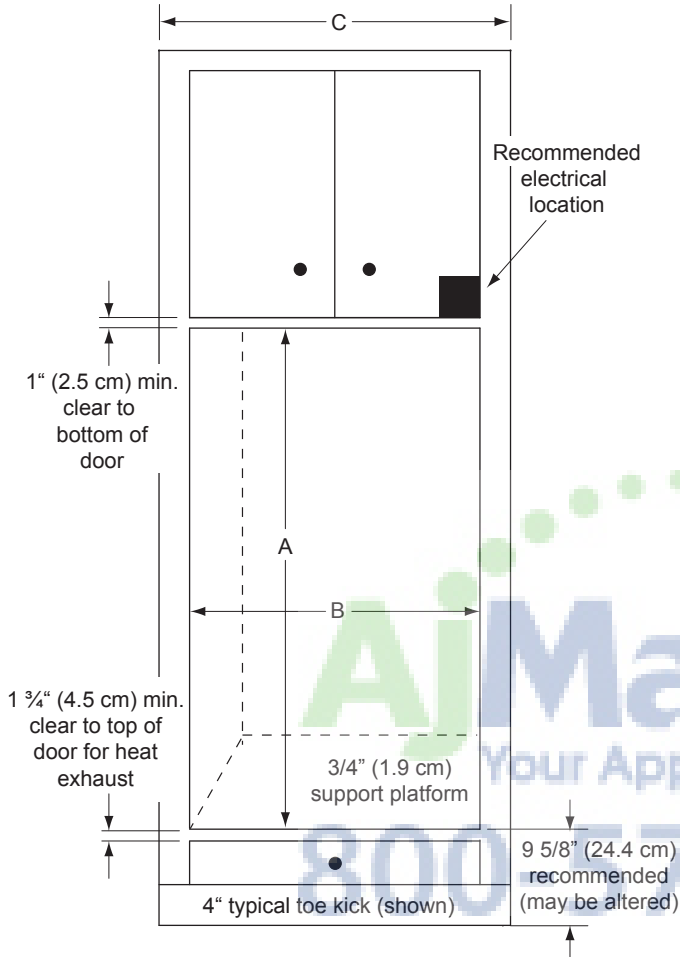
EO, MOH, MOV



27 and 30 Inch Wide, Double, Discovery Wall Ovens

PLANNING GUIDE

Cutout tolerances: +1/16" (+1.6 mm), -0, unless otherwise stated.



HANDLE DIMENSIONS - SIDE VIEW

Model	A	B	C
EO227	50 9/16" (128.4 cm)	25 1/2" (64.8 cm)	27" (68.6 cm)
MOH227			
MOV227			
EO230	50 9/16" (128.4 cm)	28 1/2" (72.4 cm)	30" (76.2 cm)
MOH230			
MOV230			

CUTOUT DIMENSIONS



NOTES:

1. 24" (61.0 cm) minimum interior cabinet depth. Back of cabinet may need to be removed.
2. 3/4" (1.9 cm) support platform (flush with cutout).
3. 1/8" (3 mm) minimum clearance from appliance to adjacent cabinet doors/drawers.