

**Contents**

1	INTRODUCTION .....	3
2	SAFETY INFORMATION .....	5
3	INSTALLATION MATERIAL .....	8
3.1	Kit supplied with dishwasher .....	9
4	DIMENSIONS OF DISHWASHER .....	10
5	INSTALLATION AND HOOK-UP .....	11
5.1	Leveling.....	12
5.2	Connections.....	13
5.2.1	Connecting to the water supply.....	14
5.2.1.1	Connecting to the water tap.....	15
5.2.1.2	Connecting the drain hose .....	16
5.2.2	Electrical connections and warnings.....	22
5.3	Commissioning .....	23
5.3.1	Installation procedure .....	23
5.3.2	Procedure for mounting the door panel .....	25
5.3.3	Completion of installation .....	28
5.4	Testing .....	31



# 1 INTRODUCTION

*Thank you for choosing one of our products. To install this dishwasher correctly and safely, please read this manual carefully. The manual is divided into sections giving you a step-by-step guide to installation of the appliance. The texts are easy to understand and are complete with detailed illustrations. This user-friendly manual will provide answers to all your questions about installation of the dishwasher.*

***This manual comprises the following sections:***

*INTRODUCTION: general information about the manual.*




*WARNINGS: a list of warnings concerning safety during installation.*

*INSTALLATION INSTRUCTIONS: for the **qualified technician** who must carry out the installation, hook-up and testing of the appliance.*

**Nomenclature of figures and tables:**

The progressive number of each figure is shown in the bottom right-hand corner of the relative box. An example of a progressive number is “Fig. 4-01”, where the first number (4) indicates the section to which the figure belongs, while the second number (01) indicates the progressive number of the figure in section 4 (Fig. 4-01 is the first figure in section 4). The tables are numbered in the same way, bearing in mind that “Tab.” is used instead of “Fig.” (e.g.: Tab. 4-01 is the first table in section 4). If a table occupies more than one page, a letter is added after the progressive number (e.g.: “Tab. 4-01a”, Tab. 4-01b”).

**Symbols used in this manual** (see tab. 1-01)

	<b>DANGER.</b> This symbol highlights information and warnings which, if not observed, may compromise personal safety or damage the appliance.
	<b>DANGER OF ELECTROCUTION.</b> This symbol highlights information and warnings of an electrical nature which, if not observed, may compromise personal safety or damage the appliance.
	This symbol highlights general information and warnings.
Tab. 1-01	

**2 SAFETY INFORMATION**



THIS MANUAL FORMS AN INTEGRAL PART OF THE APPLIANCE: IT MUST ALWAYS BE KEPT INTACT TOGETHER WITH THE DISHWASHER. BEFORE USING THE APPLIANCE, CAREFULLY READ ALL THE INSTRUCTIONS CONTAINED IN THIS MANUAL. INSTALLATION MUST BE PERFORMED BY A QUALIFIED TECHNICIAN, IN COMPLIANCE WITH THE REGULATIONS IN FORCE. THIS APPLIANCE IS INTENDED FOR DOMESTIC USE AND SIMILAR APPLICATIONS SUCH AS THE STAFF KITCHENS OF SHOPS, OFFICES AND OTHER WORKPLACES, INSTITUTIONS, AND FOR THE USE OF GUESTS AT HOTELS, HOSTELS, BED AND BREAKFAST ESTABLISHMENTS AND OTHER RESIDENTIAL FACILITIES AND COMPLIES WITH **DIRECTIVES 2006/95/EC AND 2004/108/EC** CURRENTLY IN FORCE, INCLUDING THE PREVENTION AND ELIMINATION OF RADIO FREQUENCY INTERFERENCE. THE APPLIANCE IS DESIGNED FOR THE FOLLOWING PURPOSE: **WASHING AND DRYING OF DISHES**; ANY OTHER USE SHALL BE CONSIDERED IMPROPER. **THE MANUFACTURER DECLINES ALL RESPONSIBILITY FOR USES OTHER THAN THOSE DESCRIBED ABOVE.**



**INSTALLATION, REPAIRS AND SERVICING MUST BE PERFORMED BY QUALIFIED AND AUTHORIZED TECHNICIANS.** AS WELL AS INVALIDATING THE WARRANTY, WORK CARRIED OUT BY UNAUTHORIZED PERSONS MAY GENERATE HAZARDS. INSTALLATION MUST BE PERFORMED IN COMPLIANCE WITH ALL THE DIRECTIVES IN FORCE IN THE COUNTRY OF INSTALLATION AND, IF THESE DO NOT EXIST: IN THE UNITED STATES THE NATIONAL ELECTRIC CODE; IN CANADA THE CANADIAN ELECTRIC CODE C22.1 - LATEST EDITION/PROVINCIAL AND MUNICIPAL CODES AND/OR LOCAL CODES.



THE NAME PLATE FEATURING THE TECHNICAL DATA, SERIAL NUMBER AND MARKINGS IS VISIBLY POSITIONED ON THE INNER EDGE OF THE DOOR. **THE NAMEPLATE ON THE INNER EDGE OF THE DOOR MUST NEVER BE REMOVED.**



THIS APPLIANCE IS NOT SUITABLE FOR USE ON BOATS, CARAVANS OR THE LIKE. DISHWASHERS CERTIFIED FOR DOMESTIC USE ARE NOT SUITABLE FOR AUTHORISED FOOD FACTORIES.



CHECK THAT THE VOLTAGE, FREQUENCY AND PROTECTION OF THE DOMESTIC MAINS POWER SUPPLY MATCH THE RATINGS ON THE NAME PLATE OF THE APPLIANCE.



**TWO PEOPLE WEARING SAFETY GLOVES ARE REQUIRED TO LIFT THE DISHWASHER.**



DO NOT LEAVING DISCARDED PACKAGING MATERIALS UNSUPERVISED WITHIN THE HOME. SEPARATE THE VARIOUS PACKAGING MATERIALS AND TAKE THEM TO THE NEAREST SORTED WASTE COLLECTION CENTRE. KEEP CHILDREN, PHYSICALLY AND/OR MENTALLY IMPAIRED ADULTS, AND ANIMALS AWAY FROM PACKAGING WASTE; DANGER OF SUFFOCATION.



BEFORE PROCEEDING WITH INSTALLATION, DISCONNECT THE MAINS POWER SUPPLY FROM THE WORK AREA.



DURING INSTALLATION, TAKE CARE NOT TO INJURE YOURSELF ON THE SHARP EDGES OF THE APPLIANCE; WEAR SAFETY GLOVES.



THE APPLIANCE MUST BE PROVIDED WITH A GROUND CONNECTION IN ACCORDANCE WITH THE ELECTRICAL SAFETY REGULATIONS IN FORCE. IF IN DOUBT, HAVE THE SYSTEM CHECKED BY A QUALIFIED ELECTRICIAN.

**THE MANUFACTURER DECLINES ALL RESPONSIBILITY FOR DAMAGE TO PERSONS OR PROPERTY RESULTING FROM THE FAILURE TO GROUND THE APPLIANCE OR FROM A DEFECTIVE GROUND CONNECTION.**



DO NOT USE APPLIANCES WHICH HAVE BEEN DAMAGED DURING TRANSIT! IF IN DOUBT, CONSULT YOUR DEALER. THE APPLIANCE MUST BE INSTALLED AND CONNECTED IN ACCORDANCE WITH THE INSTRUCTIONS PROVIDED BY THE MANUFACTURER OR BY A QUALIFIED TECHNICIAN.



DO NOT OPERATE THE DISHWASHER UNLESS ALL THE OUTER PANELS HAVE BEEN POSITIONED CORRECTLY. IMMEDIATELY AFTER INSTALLATION, BRIEFLY TEST THE APPLIANCE FOLLOWING THE INSTRUCTIONS INDICATED BELOW. IF THE DISHWASHER FAILS TO OPERATE CORRECTLY, DISCON-

NECT IT FROM THE ELECTRICAL POWER SUPPLY AND CALL THE NEAREST TECHNICAL SERVICE CENTRE. **DO NOT ATTEMPT TO REPAIR THE APPLIANCE.**



DO NOT USE EXTENSION CORDS, ADAPTORS OR SHUNT CONNECTIONS IN ORDER TO AVOID THE POSSIBILITY OF OVERHEATING OR BURNING, WITH CONSEQUENT FIRE HAZARD.



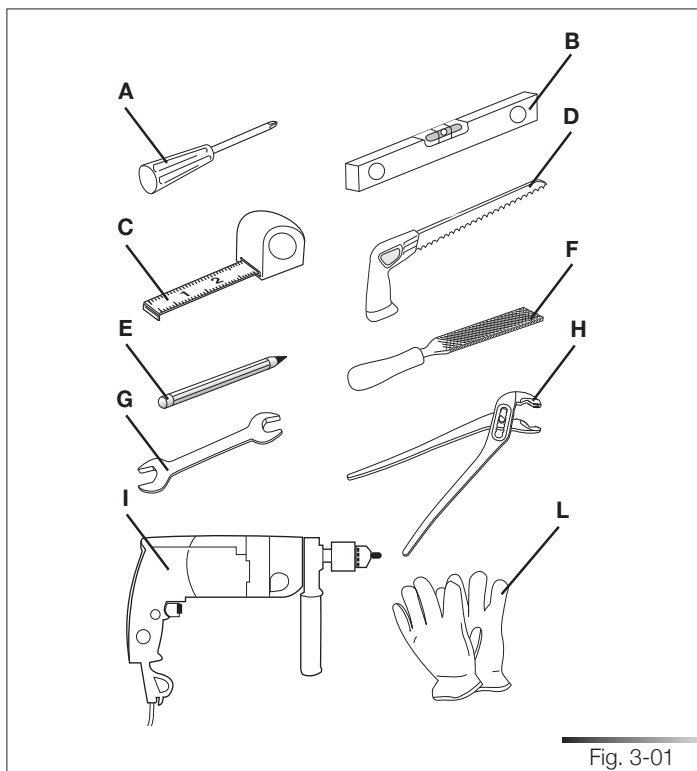
**THE MANUFACTURER DECLINES ALL RESPONSIBILITY FOR DAMAGE TO PERSONS, ANIMALS OR PROPERTY RESULTING FROM FAILURE TO OBSERVE THE ABOVE PRECAUTIONS, FROM TAMPERING WITH EVEN A SINGLE COMPONENT OF THE APPLIANCE, OR FROM THE USE OF UNORIGINAL SPARE PARTS.**

**IF IN DOUBT ABOUT THE CONTENTS OF THIS MANUAL, CONTACT THE TECHNICAL ASSISTANCE SERVICE.**

### 3 INSTALLATION MATERIAL

To install the dishwasher correctly, the following materials are required:

- Phillips screwdriver (ref. A fig. 3-01);
- spirit level (ref. B fig. 3-01);
- tape measure (ref. C fig. 3-01);
- compass saw (ref. D fig. 3-01);
- pencil (ref. E fig. 3-01);
- file (ref. F fig. 3-01);
- 13 mm open-ended wrench (ref. G fig. 3-01);
- plumbing pliers (ref. H fig. 3-01);
- drill (ref. I fig. 3-01);
- safety gloves (ref. L fig. 3-01).





## 3.1 Kit supplied with dishwasher

The kit supplied with the dishwasher comprises:

- 1 adhesive steam guard (depending on the model) (ref. A fig. 3-02);
- 1 steel steam guard (depending on the model) (ref. B fig.3-02)\*;
- 1 template for door panel (ref. C fig. 3-02);
- 2 hooks for door panel (ref. D fig. 3-02);
- 8 screws for securing the door panel hooks (ref. E fig. 3-02);
- 2 screws for securing the door (ref. F fig. 3-02);
- 4 screws for fixing the dishwasher to the adjacent walls (ref. G fig. 3-02);
- 2 upper fixing screws (ref. H fig. 3-02);
- 2 screw caps (ref. I Fig. 3-02);

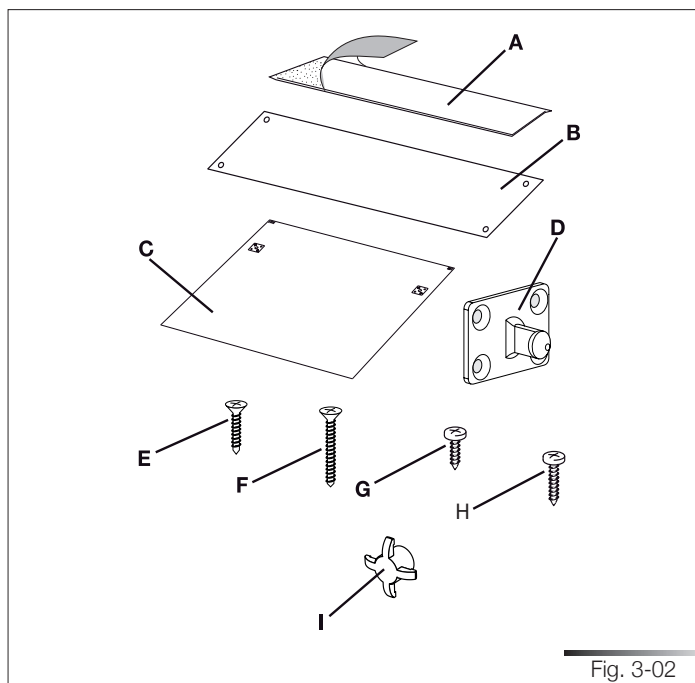


Fig. 3-02

\* The adhesive protection is suitable for kitchens with worktops that do not allow the steel protection to be fixed with screws (e.g.:+ marble or masonry), but it can be also used with other materials.

## 4 DIMENSIONS OF DISHWASHER (See fig. 4-01)

A (height)	B (width)	C (depth)
82 cm ÷ 89 cm 32-9/32" ÷ 35-3/64"	59,7 cm ÷ 59,9 cm 23-1/2" ÷ 23-37/64"	55 cm - 21-21/32"
86 cm ÷ 93 cm 33-35/64" ÷ 36-39/64"		60 cm - 23-5/8" * *STX models

Tab. 4-01

**A:** according to the models

**C:** 23-5/8" only for STX models

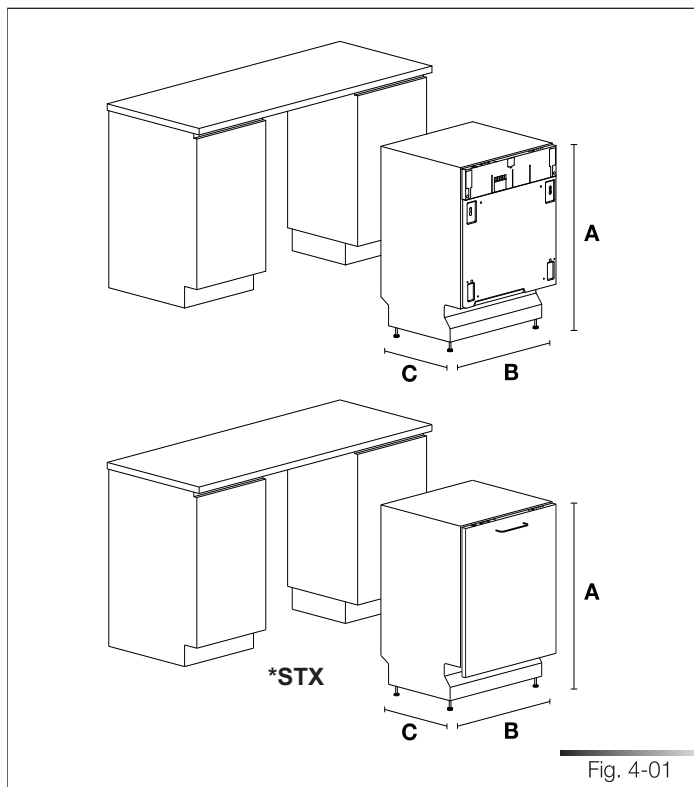


Fig. 4-01

## 5 INSTALLATION AND HOOK-UP



*DURING INSTALLATION, TAKE CARE NOT TO INJURE YOURSELF ON THE SHARP EDGES OF THE APPLIANCE.*

Remove the polystyrene rack blocks. Position the appliance in the chosen installation position. The sides and rear of the appliance can lie against kitchen units or walls. If the dishwasher is installed next to a heat source, separate it with a heat insulating panel in order to prevent overheating and malfunctions. To assure stability, only install built-in appliances under continuous worktops, securing them to the adjacent kitchen units or worktop with screws.



*BUILDING-IN A DISHWASHER UNDERNEATH A CERAMIC HOB IS **ABSOLUTELY FORBIDDEN**. A DISHWASHER CAN BE BUILT-IN UNDERNEATH A CONVENTIONAL HOB PROVIDED THERE IS **NO BREAK** IN THE KITCHEN WORKTOP, AND THE DISHWASHER AND HOB ARE **INSTALLED AND SECURED CORRECTLY**, SO THAT **NO HAZARDS ARE GENERATED**.*



***MAKE SURE THE DISHWASHER HAS BEEN CORRECTLY INSTALLED AND GROUNDED BY A QUALIFIED FITTER. THIS SAFETY REQUIREMENT MUST BE MET. IN CASE OF DOUBT, CALL IN A QUALIFIED FITTER. THE MANUFACTURER DECLINES ALL RESPONSIBILITY FOR DAMAGE TO PERSONS OR PROPERTY RESULTING FROM THE FAILURE TO GROUND THE APPLIANCE OR FROM A DEFECTIVE GROUND CONNECTION.***



***BEFORE PROCEEDING WITH INSTALLATION, DISCONNECT THE MAINS POWER SUPPLY FROM THE WORK AREA.***

### Only for free-standing models

- It is strictly forbidden to mount a hob over a free-standing dishwasher.

- If the appliance is not in a niche and can therefore be accessed on one side, cover the door hinge area for safety reasons (cutting hazard). Covers are available as accessories from specialized retailers or from the Technical Service Centre.
- To build in the dishwasher, purchase the **relative kit** from specialized retailers or from the Technical Service Centre.

## 5.1 Leveling

### 5.1.2 Levelling the appliance

Level the appliance using the relative adjustable feet (e.g.: ref. A fig. 5-01); use an open-ended wrench to rotate the feet until the dishwasher is perfectly level. Some models are fitted with just one rear foot which can be adjusted with a screw located at the bottom front of the appliance (ref. A fig. 5-02); use a suitable Phillips screwdriver or 8 mm hex head bushing to turn the screw until the dishwasher is perfectly level.

Use a spirit level to check the appliance is perfectly level (ref. B fig. 5-01).

Leveling is vital for assuring correct dishwasher operation.

Make sure to leave a gap of at least 3 mm (7/64") between the top of the dishwasher and the worktop (ref. C fig. 5-01).

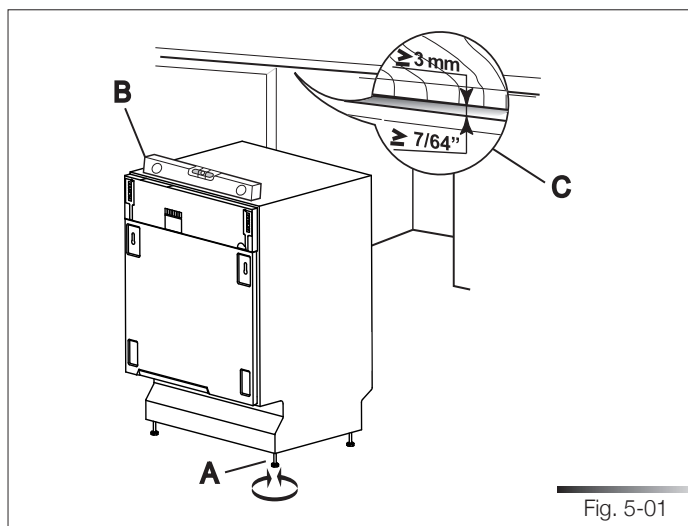


Fig. 5-01

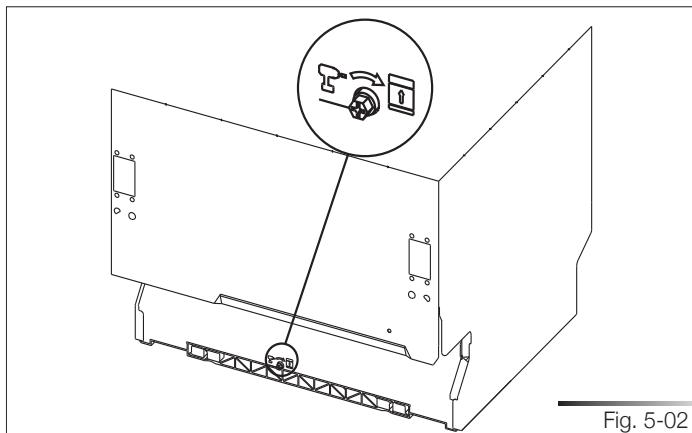


Fig. 5-02

## 5.2 Connections

Install the dishwasher so as to allow ease of access to the electrical and hydraulic connections through the adjacent unit. These connections must never be behind the dishwasher.

The inlet and drain hoses can be pointed in all directions. make sure that they are not bent, crushed or too tight. Tighten the ring nut after pointing the hoses in the required direction.

Figure 5-03 indicates the distances to maintain between the dishwasher and the various connections.



**FIRE HAZARD!**

**DO NOT COVER OR CRUSH THE CORD PLUG.**

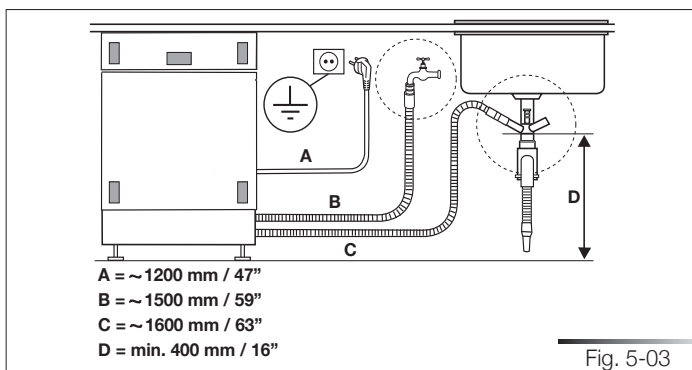


Fig. 5-03

A through hole with a diameter of at least 8 cm (5/32") is required to pass the hoses and power cord (ref. A fig. 5-04).

Make sure there are no rough edges that could damage the power cord or hoses. If the dishwasher is installed in a metal unit, protect the edge of the through hole for the hoses and power cord with a gasket. Do not use extension cords when making the electrical connection as these do not guarantee safety.



**ATTENTION!**

*INSTALLING THE DISHWASHER IN A NARROW SPACE MAY BEND OR CRUSH THE POWER CORD. TAKE GREAT CARE IN ORDER TO REDUCE THE POSSIBILITY OF DAMAGING THE POWER CORD WHEN INSTALLING OR REMOVING THE APPLIANCE.*

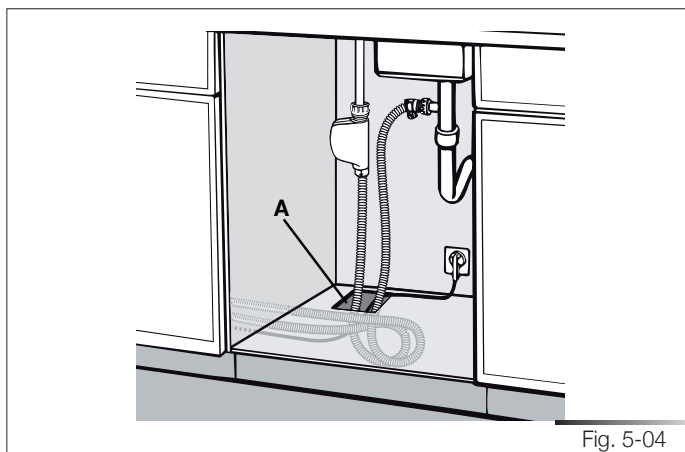


Fig. 5-04

### 5.2.1 Connecting to the water supply



**PREVENTING THE RISK OF CLOGGING OR DAMAGE:** IF THE WATER PIPE IS NEW OR HAS NOT BEEN USED FOR A LONG TIME, BEFORE CONNECTING TO THE WATER SUPPLY CHECK THAT THE WATER IS CLEAR AND FREE OF IMPURITIES, TO PREVENT DAMAGE TO THE APPLIANCE. **THE DISHWASHER MUST ALWAYS BE CONNECTED TO THE WATER SYSTEM WITH NEW HOSES; OLD OR USED HOSES MUST NEVER BE RE-USED.**

## 5.2.1.1 Connecting to the water tap

Connect the inlet hose to a threaded  $\frac{3}{4}$ " gas cold water tap, fitting the supplied filter (ref. A fig. 5-05). **Firmly secure the hose by tightening the relative ring nut with your hands (ref. B fig. 5-05); finish by tightening another  $\frac{1}{4}$  turn using a pair of plumbing pliers. For models fitted with ACQUAS-TOP (ref. C fig. 5-05) the filter is already present in the threaded ring nut. The dishwasher can be filled with water at a temperature of less than 60°C (140°F).**

If the appliance is filled with hot water, washing times will be reduced by about 20 minutes, but efficiency will be slightly impaired. Make the connection to the domestic hot water tap using the same methods described for connecting the appliance to the cold water tap.

- Recommended temperature: 49°C (120°F), max. 60°C (140°F).
- Recommended water pressure: 0.5 - 9 bar (7 -130 PSI).

If the pressure is too high, fit a pressure reducer.

**A rubber hose connected to a sink spray may burst if installed on the same pipes feeding the dishwasher. If your sink is fitted with this accessory, remove the hose and plug the hole.**

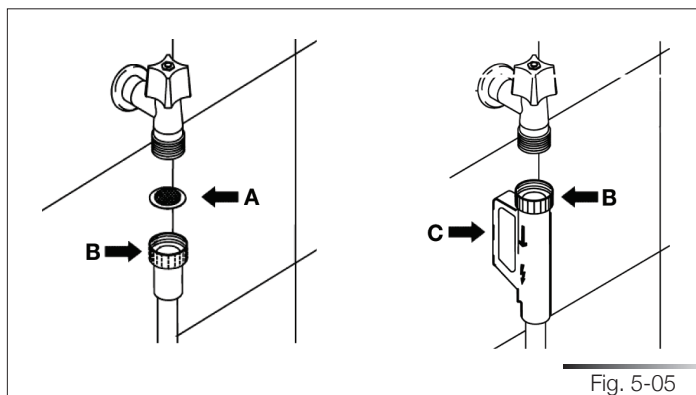


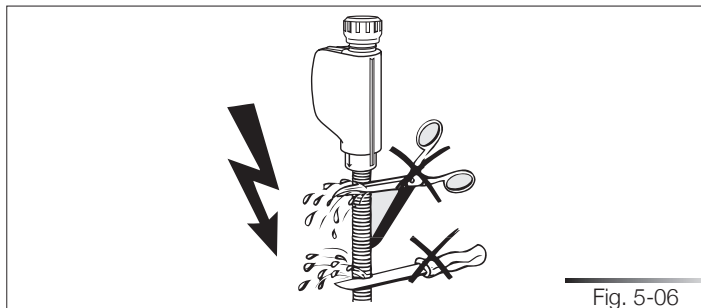
Fig. 5-05

Do not cut the inlet hose (see fig. 5-06).

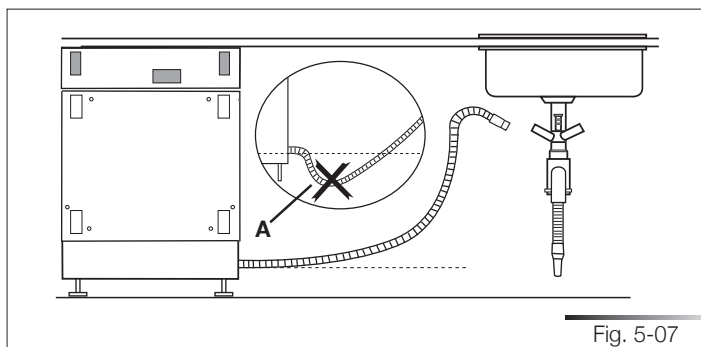
If the hose is cut, the dishwasher will not work, water will leak and you may be injured.

If the hose is too long, wind it up tidily and place it behind the appliance.

The cable harness and electrical components must not come into contact with the hydraulic system and the water inlet and drain hoses.



When connecting the dishwasher drain hose to the sink make sure that the hose is not bent (ref. A fig. 5-07) in order to prevent cracks or breakages that could damage it.





## 5.2.1.2 Connecting the drain hose

### Connecting to a drain

Insert the relative hose into a drain with a minimum diameter of **4 cm (1-37/64")** (ref. A fig. 5-08); alternatively, place the hose on the sink (ref. B fig. 5-08) using the supplied hose support (see fig. 5-9), but taking care to avoid obstructions or excessive curving. Make sure the hose cannot fall out. For this purpose, the hose support is fitted with a hole (ref. A fig. 5-9) which can be used to fix it to the wall or the tap with a piece of string. The free end must lie at a height ranging from of **30 to 100 cm (from of 1-7/32" to 3-59/64")** (see fig. 5-08) and must never be immersed in water. If horizontal extension hoses with a maximum length of 3m are used, position the drain hose at a maximum height of **85 cm (3-11/32")** above the floor.

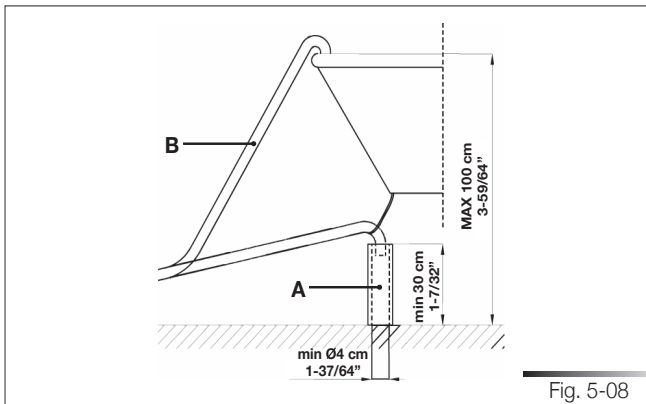


Fig. 5-08

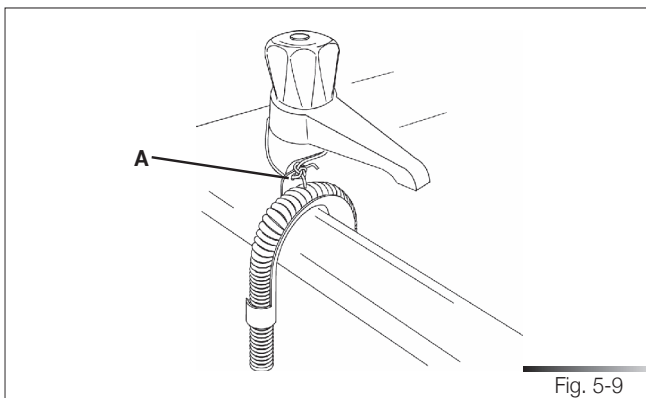


Fig. 5-9

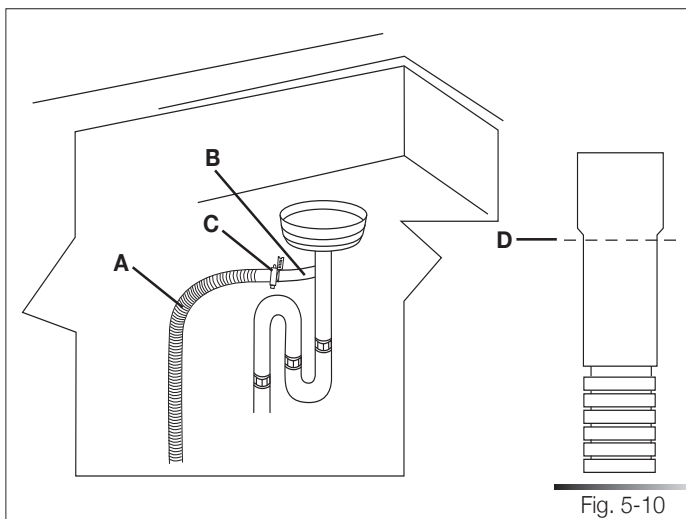
### Connecting to a "T" union of the drain circuit



MAKE THE CONNECTION UPLINE FROM THE SIPHON OF THE DRAIN LINE AND AT LEAST 400 mm (15-3/4") ABOVE THE FLOOR ON WHICH THE DISHWASHER WILL BE INSTALLED.

1. Connect the dishwasher drain hose (ref. A fig. 5-10) to the "T" union (ref. B fig. 5-10) of the drain circuit using a 38 to 50 mm (1-1/2 to 2") screw clamp\* (ref. C fig. 5-10); if necessary, cut the end of the dishwasher drain hose (ref. D fig. 5-10) (do not cut the corrugated section).

\* Available from any plumbing stockist



## Connecting to a waste disposal unit with an air gap



*MAKE THE CONNECTION UPLINE FROM THE SIPHON OF THE DRAIN LINE AND AT LEAST 400 mm (15-3/4") ABOVE THE FLOOR ON WHICH THE DISHWASHER WILL BE INSTALLED.*

- 1.** Remove the cover of the waste disposal unit (ref. A fig. 5-11).
- 2.** Connect the dishwasher drain hose (ref. B fig. 5-11) to the air gap (ref. C fig. 5-11) using the wide spring clamp (ref. D fig. 5-11); if necessary, cut the end of the dishwasher drain hose (ref. E fig. 5-12) (do not cut the corrugated section). If the drain hose has been cut, use a 38 to 50 mm (1-1/2 to 2") screw clamp\*.
- 3.** To connect the air gap (ref. C fig. 5-11) to the waste disposal unit inlet (ref. F fig. 5-11), use a rubber union\* (ref. G fig. 5-11) with spring or screw clamps\* (ref. H fig. 5-11).

\* Available from any plumbing stockist

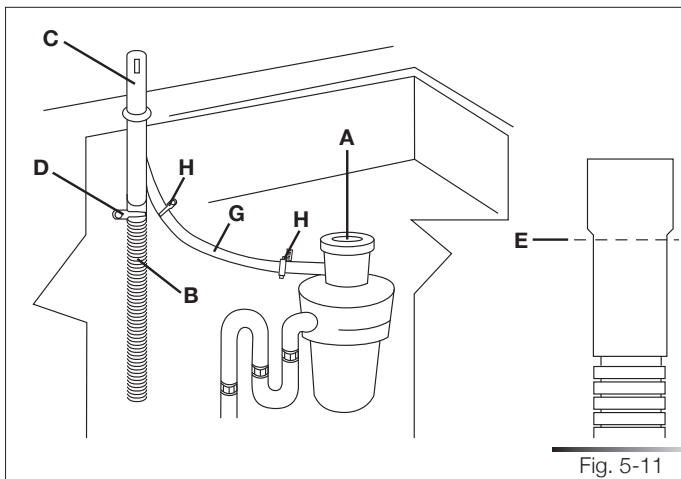


Fig. 5-11

**Connecting to the air gap (no waste disposal unit)**

*MAKE THE CONNECTION UPLINE FROM THE SIPHON OF THE DRAIN LINE AND AT LEAST 400 mm (15-3/4") ABOVE THE FLOOR ON WHICH THE DISHWASHER WILL BE INSTALLED.*

1. Connect the dishwasher drain hose (ref. A fig. 5-12) to the air gap (ref. B fig. 5-12) using the wide spring clamp (ref. C fig. 5-12); if necessary, cut the end of the dishwasher drain hose (ref. D fig. 5-12) (do not cut the corrugated section). If the drain hose has been cut, use a 38 to 50 mm (1-1/2 to 2") screw clamp\*.
2. To connect the air gap (ref. B fig. 5-12) to the "T" union (ref. E fig. 5-12) of the drain line, use a rubber union\* (ref. F fig. 5-12) with spring or screw clamps\* (ref. G fig. 5-12).

\* Available from any plumbing stockist

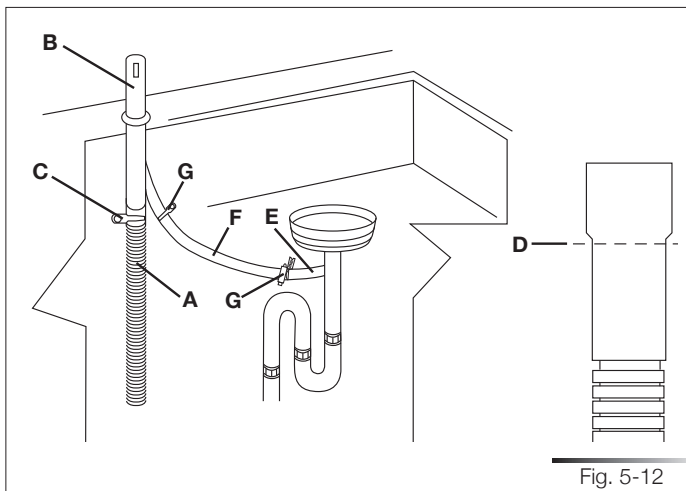


Fig. 5-12

## Connecting to a waste disposal unit (no air gap)



*MAKE THE CONNECTION UPLINE FROM THE SIPHON OF THE DRAIN LINE AND AT LEAST 400 mm (15-3/4") ABOVE THE FLOOR ON WHICH THE DISHWASHER WILL BE INSTALLED.*

1. Remove the cover of the waste disposal unit (ref. A fig. 5-13).
2. Connect the dishwasher drain hose (ref. B fig. 5-13) to the waste disposal unit inlet (ref. C fig. 5-13), using the wide spring clamp (ref. D fig. 5-13).

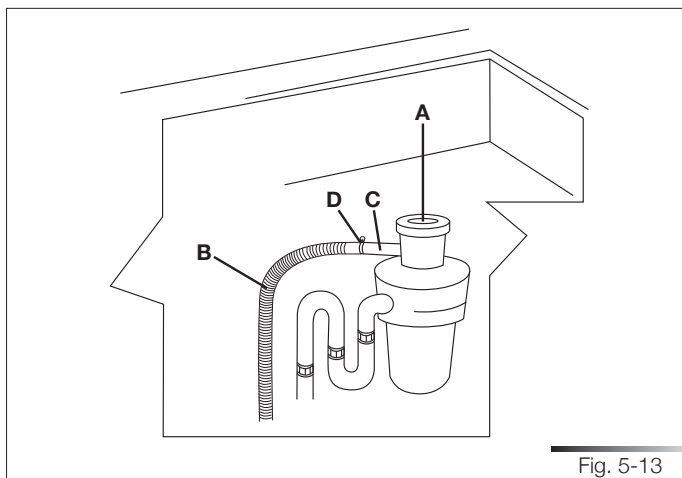


Fig. 5-13

### 5.2.2 **Electrical connections and warnings**



CHECK THAT THE VOLTAGE AND THE FREQUENCY OF THE MAINS MATCH THE RATINGS ON THE NAME PLATE OF THE APPLIANCE POSITIONED ON THE INNER EDGE OF THE DOOR.



**IN THE EVENT OF DAMAGE TO THE SUPPLY CORD**, HAVE IT REPLACED BY THE MANUFACTURER OR AN AUTHORIZED TECHNICAL SERVICE CENTRE.

THIS APPLIANCE MUST BE GROUNDED. IN CASE OF A MALFUNCTION OF FAULT, THE GROUND REDUCES THE RISK OF ELECTROCUTION BY PROVIDING THE ELECTRICAL CURRENT WITH AN ALTERNATIVE, LESS RESISTANT PATH.

### **Grounding instructions**



THIS APPLIANCE MUST BE GROUNDED. IN CASE OF A MALFUNCTION OF FAULT, THE GROUND REDUCES THE RISK OF ELECTROCUTION BY PROVIDING THE ELECTRICAL CURRENT WITH AN ALTERNATIVE, LESS RESISTANT PATH. THIS APPLIANCE IS FITTED WITH A SUPPLY CORD CONTAINING A GROUND WIRE AND PLUG. FIT THE PLUG INTO A SUITABLE SOCKET, INSTALLED AND GROUNDED IN COMPLIANCE WITH THE LAWS IN FORCE IN THE COUNTRY OF INSTALLATION.



**BEFORE MAKING ELECTRICAL CONNECTIONS, DISCONNECT THE MAINS POWER SUPPLY FROM THE WORK AREA.**

This appliance is fitted with a cord with ground wire and plug. Fit the plug into a suitable socket, installed and grounded in compliance with the laws in force in the country of installation.



CHECK THAT THE MAINS SUPPLY IN THE PLACE OF INSTALLATION COMPLIES WITH THE REGULATIONS IN FORCE IN THE COUNTRY OF USE, AND THAT IT IS CORRECTLY GROUNDED.



WARNING AN INCORRECTLY CONNECTED GROUND WIRE MAY GENERATE THE RISK OF ELECTROCUTION. IF IN DOUBT AS TO THE CORRECT GROUNDING OF THE APPLIANCE, CALL IN A QUALIFIED ELECTRICIAN OR THE TECHNICAL ASSISTANCE SERVICE. DO NOT CHANGE THE PLUG ATTACHED TO THE APPLIANCE.

*IF THE PLUG IS NOT SUITABLE FOR THE SOCKET, CALL IN A QUALIFIED ELECTRICIAN TO FIT A SUITABLE PLUG.*

The plug at the end of the power cord and the corresponding socket must be of the same type and must conform to current regulations governing electrical appliances. The plug must be accessible after installation. **Never remove the plug by pulling on the wire.** If the power cord is damaged, have it replaced by the manufacturer or an authorized service centre.



*DO NOT USE EXTENSION CORDS, ADAPTORS OR SHUNT CONNECTIONS IN ORDER TO AVOID THE POSSIBILITY OF OVERHEATING OR BURNING, WITH CONSEQUENT FIRE HAZARD.*



*IN THE EVENT OF DAMAGE TO THE SUPPLY CORD, HAVE IT REPLACED BY THE MANUFACTURER OR AN AUTHORIZED TECHNICAL SERVICE CENTRE IN ORDER TO AVOID ANY RISK.*

## 5.3 Commissioning

### 5.3.1 Installation procedure

Clean the underneath of the worktop lying over the dishwasher door (see fig. 5-14) and apply the steam guard, as shown in fig. 5-15 (see fig. 5-15 if the adhesive guard is applied; see fig. 5-16 if the steel guard is applied). This guard protects the worktop from steam and condensation when the door of the dishwasher is opened at the end of the washing cycle.

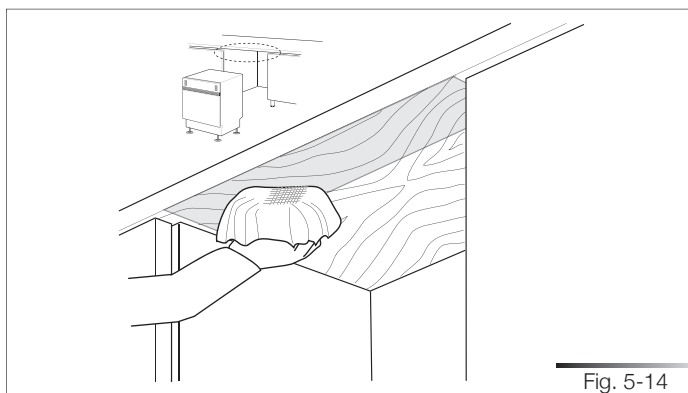
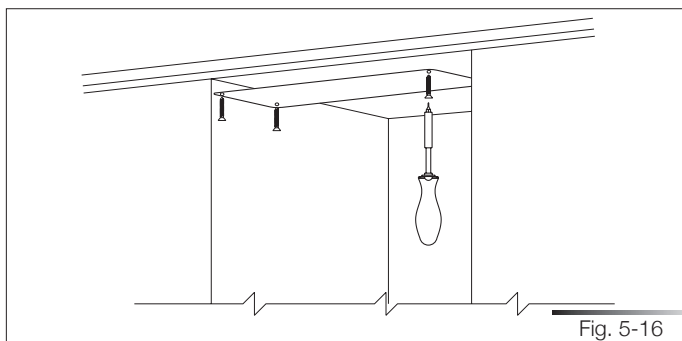
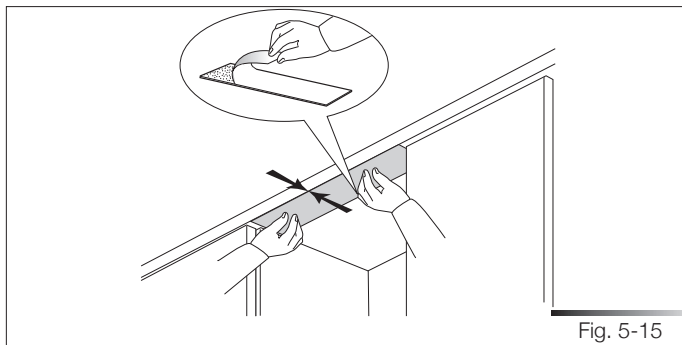


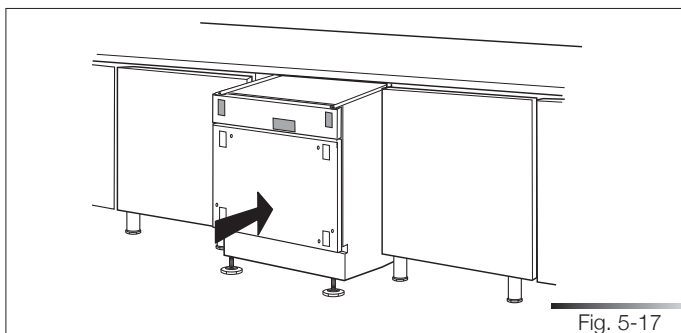
Fig. 5-14



Push the dishwasher into position, taking care not to twist or crush the power cord or hoses (see fig. 5-17).



*TWO PEOPLE WEARING SAFETY GLOVES ARE NEEDED TO PUSH THE DISHWASHER INTO PLACE.*





## 5.3.2 Procedure for mounting the door panel (not read for STX models)

Mount the door panel.

Place the template on the inner surface of the panel, centering it along the upper side and matching up the reference locators (ref. A fig. 5-18); mark the position of the door hooks with a pencil (see fig. 5-18). Remove the template and use a drill with a suitable bit to make holes at the points marked on the panel.

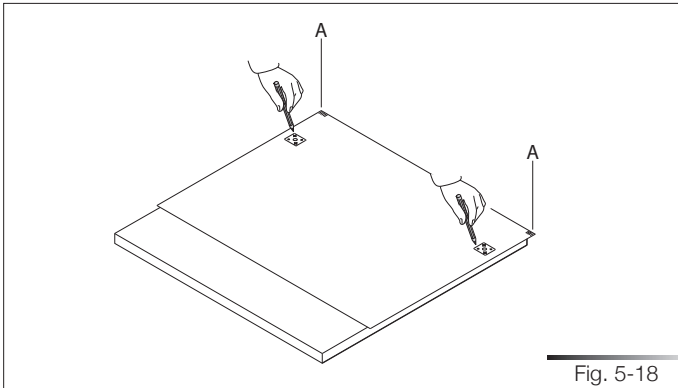


Fig. 5-18

Use the screwdriver to secure the door hooks with the 8 supplied screws (see fig. 5-19) at the marked reference points.

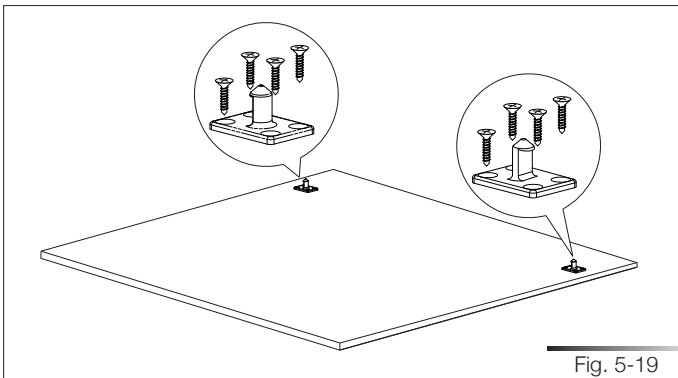
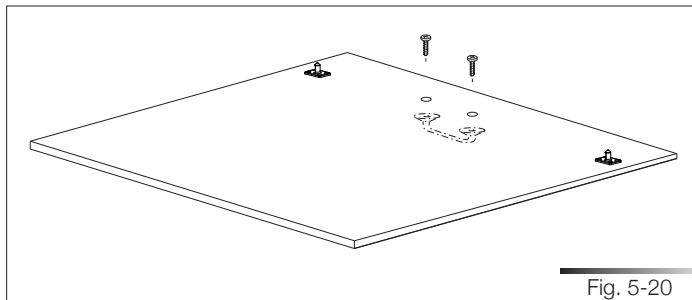


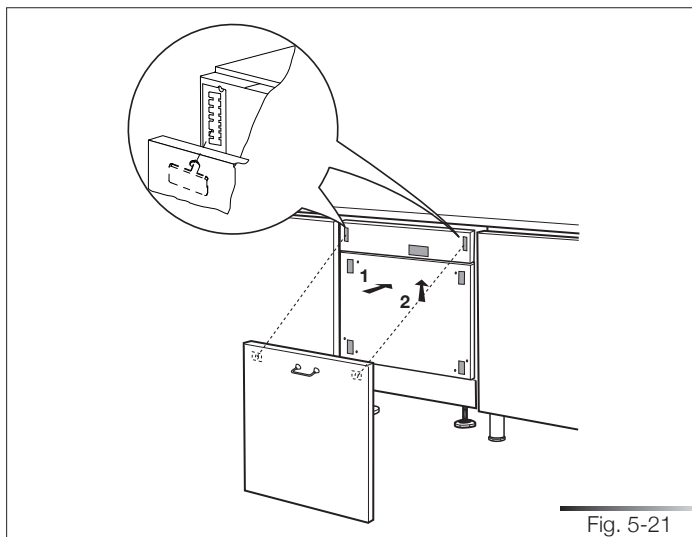
Fig. 5-19

Drill holes for the panel handle using a drill with a suitable bit. Use the screwdriver to secure the door handle before hooking the panel to the dishwasher (see fig. 5-20).

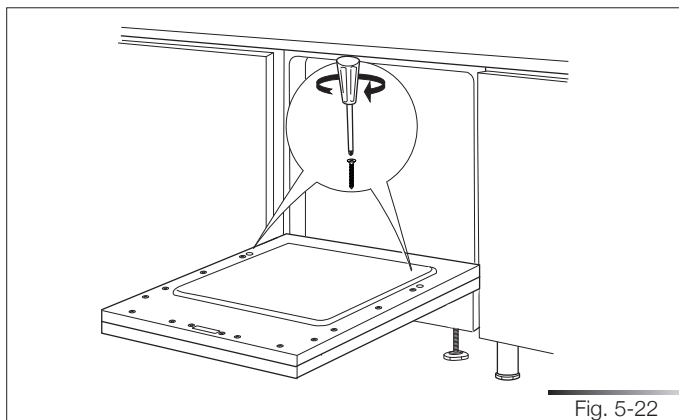
**N.B.:** the screws are not supplied.



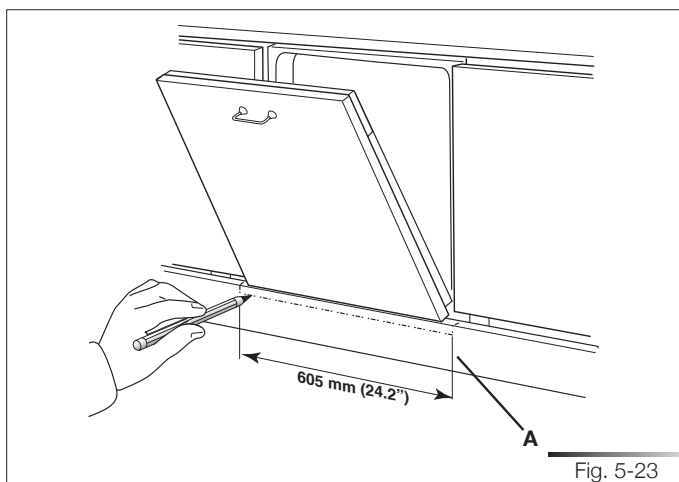
Fastening the door panel: insert the hooks into the respective slots on the dishwasher and slide the panel upwards (see fig. 5-21).

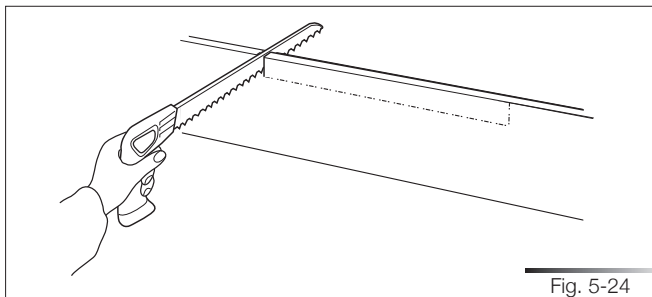


Secure the door to the panel with the supplied screws. The panel must have a minimum thickness of 20 mm (25/32") (see fig. 5-22).



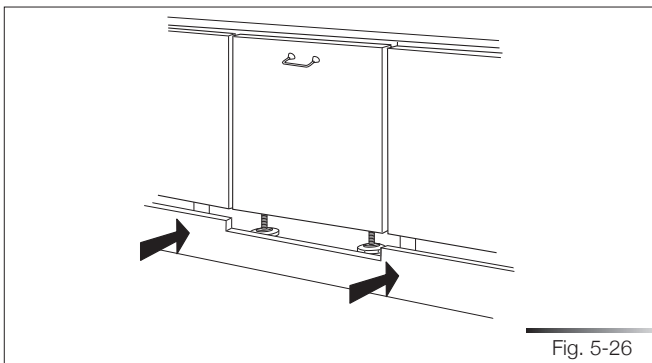
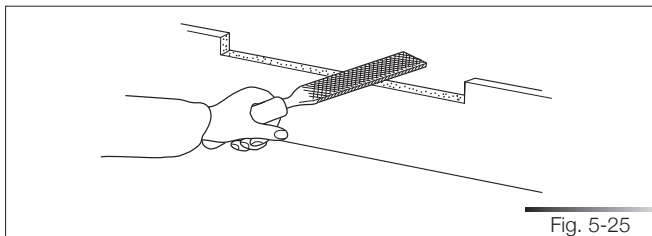
Make sure the dishwasher door, complete with panel, opens comfortably and that the base plate (ref. A fig. 5-23) does not prevent it from opening fully. If the base plate prevents the door from opening, mark out the section to remove (see fig. 5-23), take out the base plate and cut it along the marking using a compass saw (see fig. 5-24).





### 5.3.3 Completion of installation

Finish the cut with a file (see fig. 5-25) in order to remove any burrs and/or imperfections. Put back the base plate (see fig. 5-26) and try to open the dishwasher door fully; if the base plate still obstructs the door, repeat the above operations.



## ***Depends on the models***

Before securing the dishwasher to the adjacent units, attach the gaskets to the sides.

Remove the adhesive band on the gasket (see fig. 5-27).

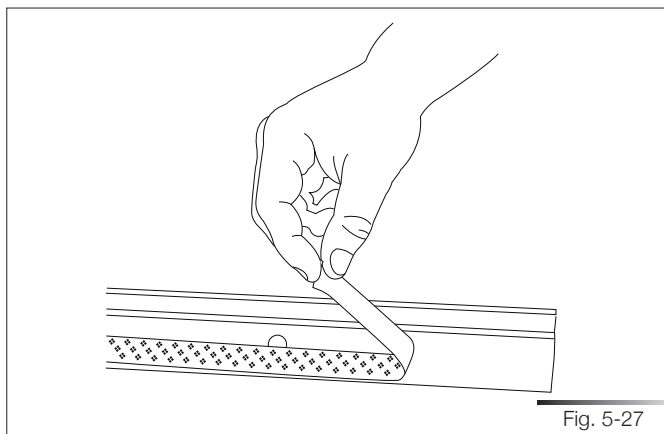


Fig. 5-27

Fix the gasket to the dishwasher, inserting it in the seat on the sides towards the front (see fig. 5-28), and making sure that the long side of the gasket, the one with the hole for inserting the screw, is attached to the outside of the dishwasher; the hole in the long side must match the hole in the dishwasher (see ref. A fig. 5-29). Make sure the gasket adheres perfectly to the dishwasher.

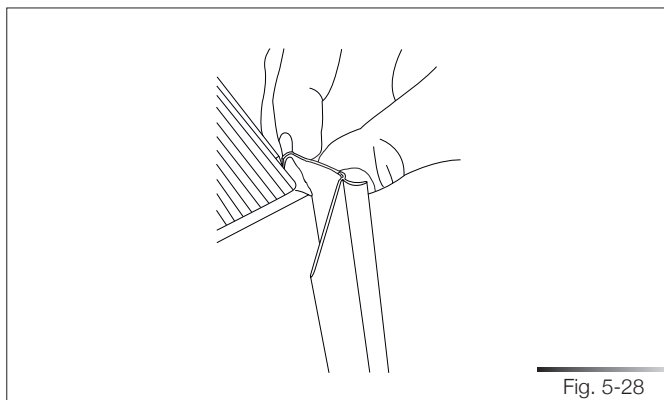


Fig. 5-28

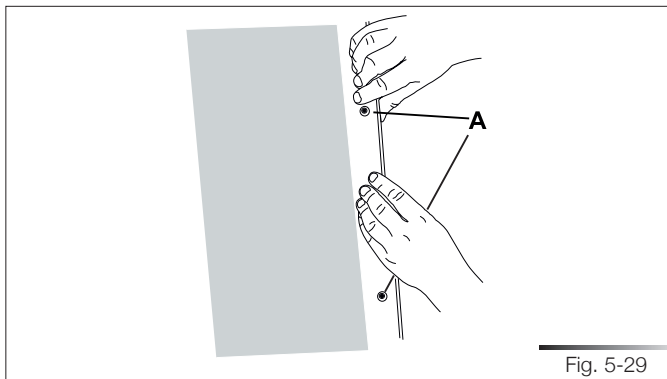
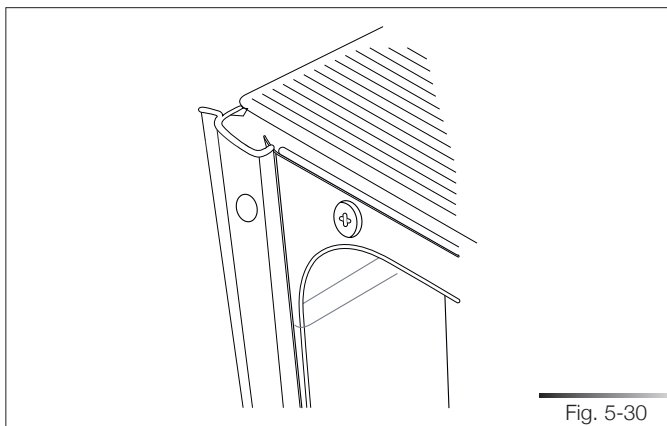


Fig. 5-30 shows the state of the dishwasher after the above operations are performed.



Tighten the supplied screws with a screwdriver; this operation definitively fixes the dishwasher to the adjacent units; cover the side holes using the supplied plugs (ref. A fig. 5-31).

## *Depends on the models*

Before securing the dishwasher to the adjacent units, attach the gaskets to the sides.

Remove the adhesive band on the gasket (see fig. 5-31).

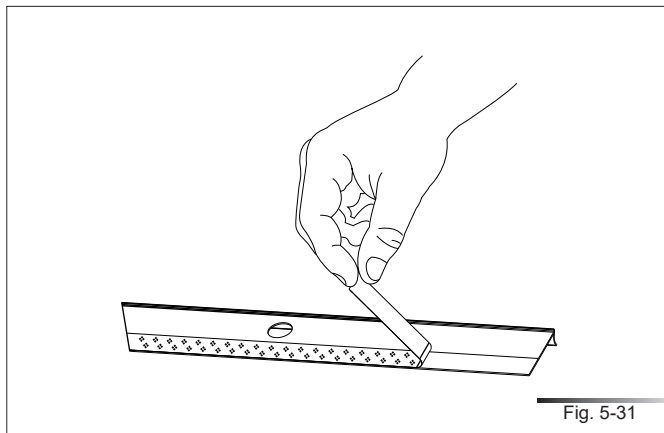


Fig. 5-31

Fix the gasket to the dishwasher, inserting it in the seat on the sides towards the front (see fig. 5-32), and making sure that the long side of the gasket, the one with the hole for inserting the screw, is attached to the outside of the dishwasher; the hole in the long side must match the hole in the dishwasher (see ref. A fig. 5-33). Make sure the gasket adheres perfectly to the dishwasher.

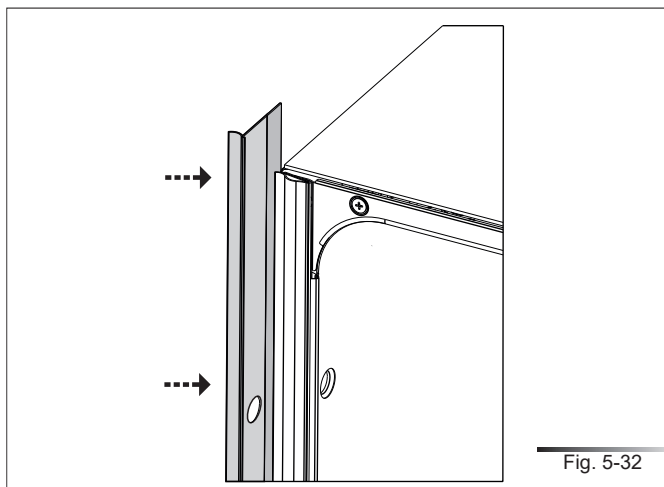


Fig. 5-32

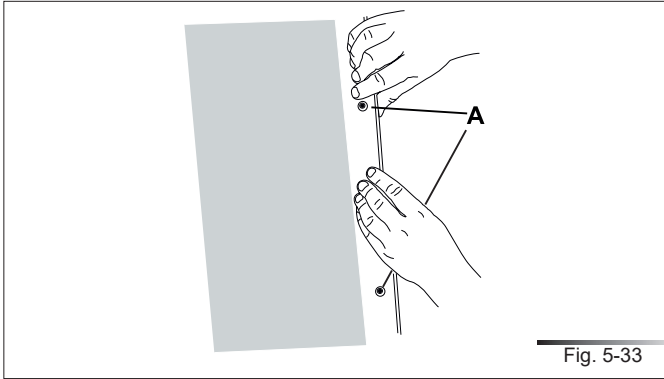
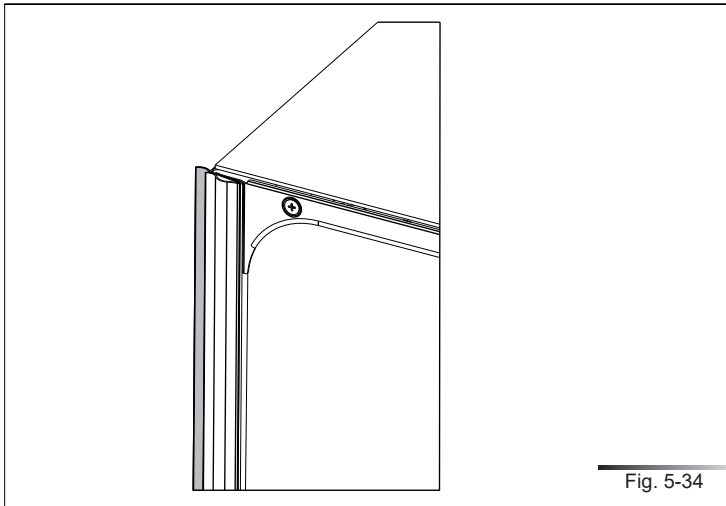


Fig. 5-34 shows the state of the dishwasher after the above operations are performed.





Tighten the supplied screws with a screwdriver; this operation definitely fixes the dishwasher to the adjacent units; cover the side holes using the supplied plugs (ref. A fig. 5-35).

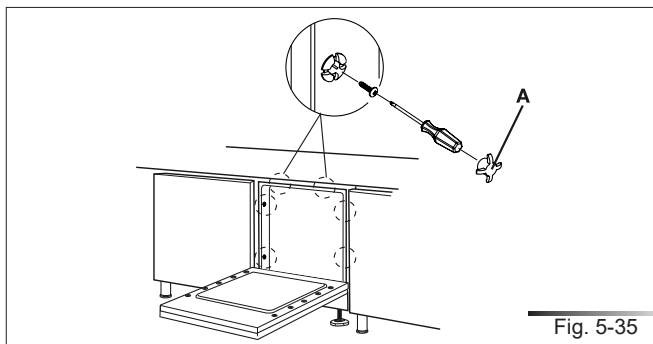


Fig. 5-35

## 5.4 Testing

After installation, test the dishwasher by starting a work cycle. Check for leaks and make sure the appliance does not malfunction.

