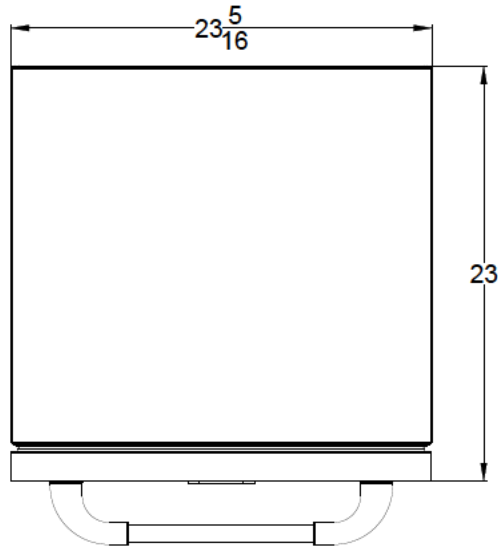


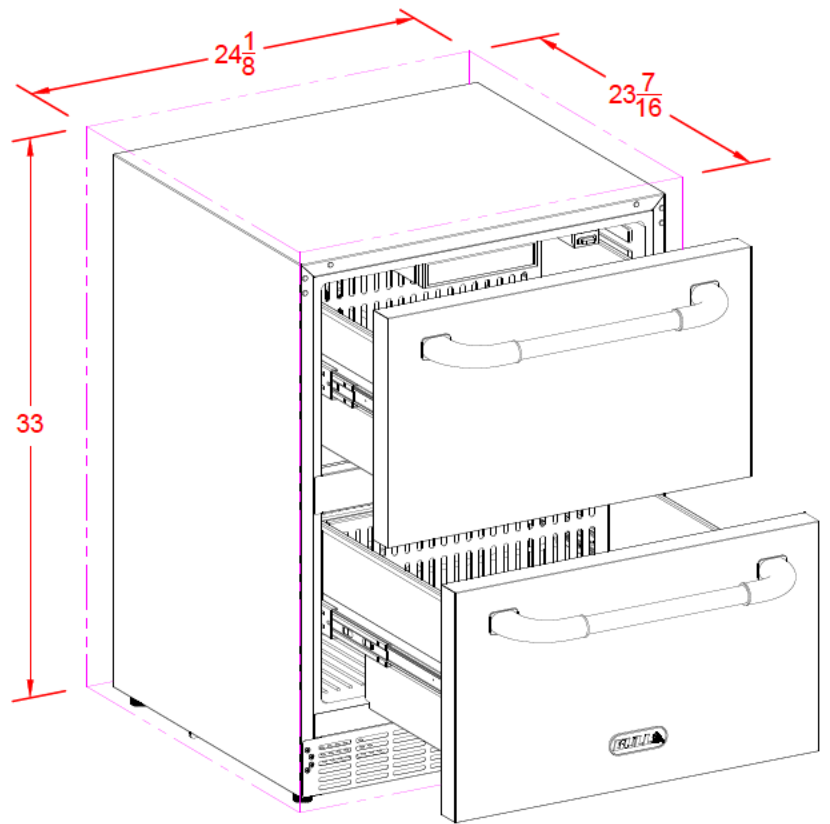


WWW.BULLBBQ.COM

SPEC SHEET OUTLINE
ITEM# 17400
PREMIUM DOUBLE DRAWER
OUTDOOR RATED
BULL REFRIGERATOR

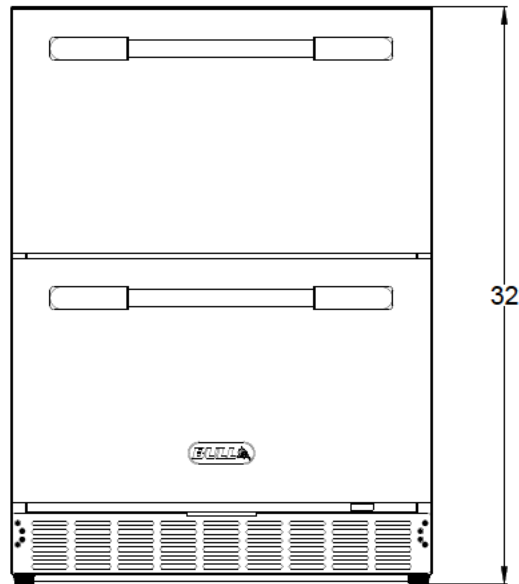


TOP VIEW

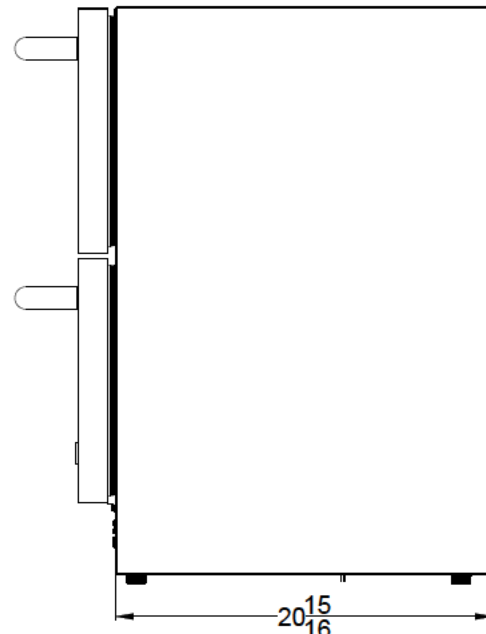


PERSPECTIVE VIEW

WITH INSTALLATION
CUT OUT DIMENSIONS



FRONT VIEW



RIGHT SIDE VIEW

NOTES:

- 1) FOR TRIM KIT FINISH FRAME USE ITEM #13900
- 2) ALL DIMENSIONS ARE IN INCH UNITS
- 3) REFER TO PERSPECTIVE VIEW FOR INSTALLATION CUTOUT DIMENSIONS.