

### FEATURED MODEL

**157-155-ST** BLANCOTERRA™ Remote single lever with pulldown spray in Stainless (Satin Nickel)

### ADDITIONAL MODELS

**157-155-CR** Polished Chrome  
**157-155-ORB** Oil Rubbed Bronze

### FEATURES

- Solid brass body
- Ceramic disc cartridge
- Color coded hot & cold supply lines
- Reversible mounting hardware adapts to thick or thin mounting surfaces
- 2.2 G.P.M. flow rate
- Installation in a 1-3/8" hole

### CODE/STANDARDS COMPLIANCE

ASME A112.18.1-2005  
 IAPMO Listed

### WARRANTY

Blanco America's Kitchen faucets feature a "NO HASSLE" LIMITED LIFETIME WARRANTY to be free of all manufacturing defects under normal use. See our complete warranty for details.

While Blanco America endeavors to provide accurate information, all dimensions are nominal, cannot be guaranteed, and are subject to change or cancellation. Blanco America assumes no responsibility for use of superseded or voided specifications.

### PRODUCT SPECIFICATION

Kitchen faucet to include remote single lever handle with solid brass body, ceramic disc cartridge and pulldown spray. Faucet dimensions to be as follows: Reach: 8-1/2"; Spout Height: 8-9/16". Hot and cold supply lines to be color coded. Reversible mounting hardware to adapt to thick or thin mounting surfaces. Kitchen faucet to be BLANCOTERRA™ Remote Single Lever with pulldown spray, Model 157-155-\_\_\_\_\_ in \_\_\_\_\_ finish.

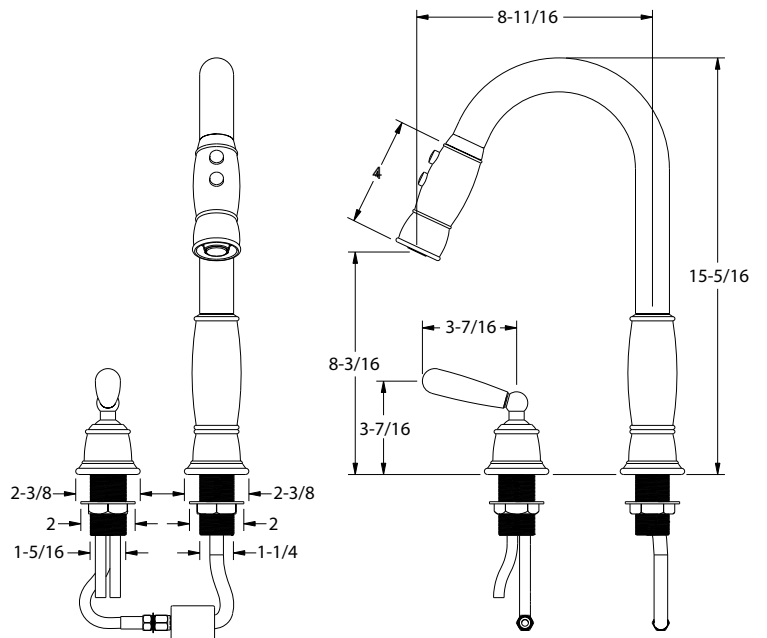
- Stainless (Satin Nickel) 157-155-ST
- Polished Chrome 157-155-CR
- Oil Rubbed Bronze 157-155-ORB



MODEL 157-155

### NOMINAL DIMENSIONS

MODEL	REACH	SPOUT HEIGHT	FAUCET HEIGHT
157-155	8-1/2	8-9/16	15-15/16



See next page for exploded parts drawing and parts list.

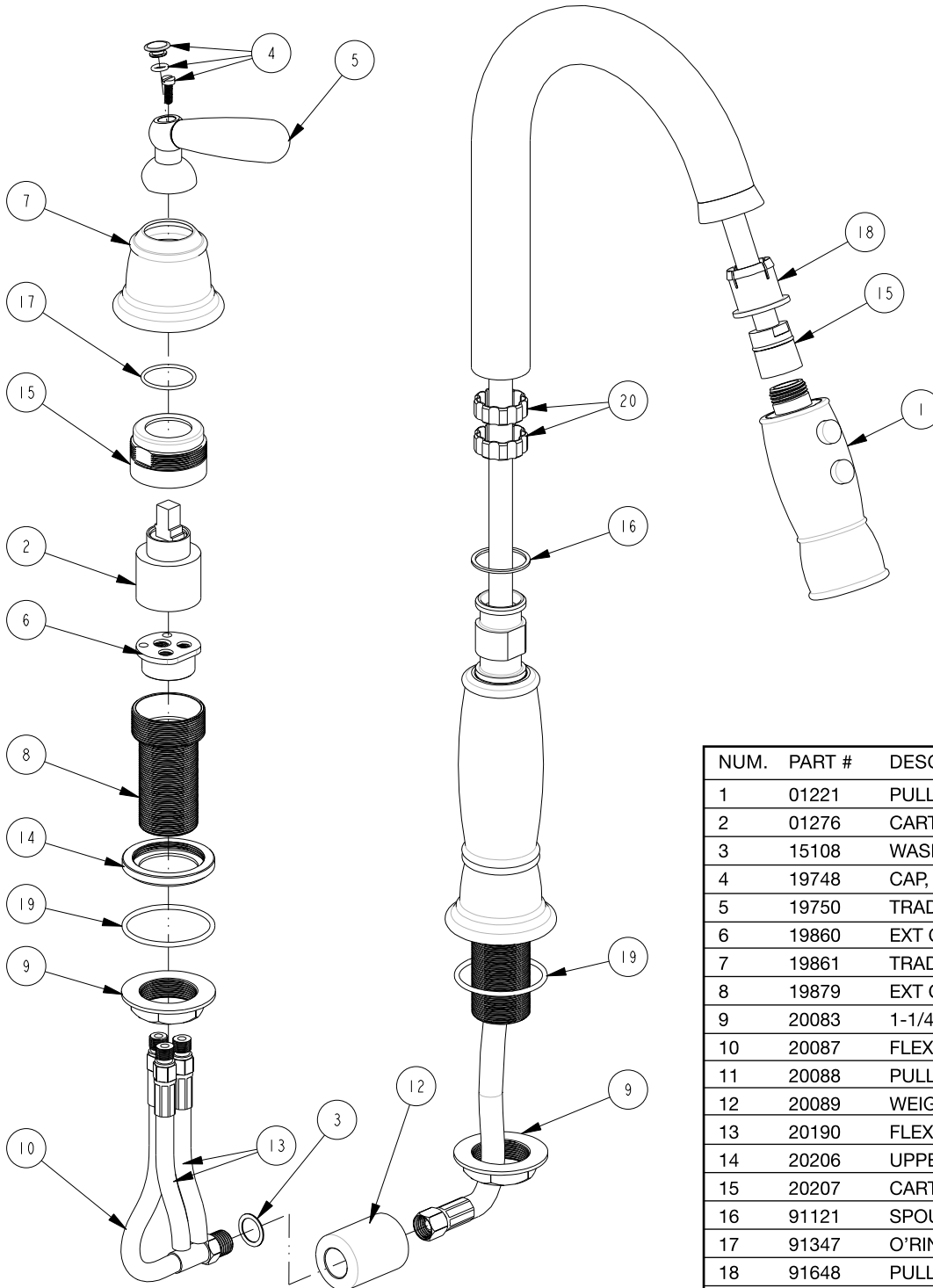
### JOB INFORMATION

Job Name: \_\_\_\_\_  
 Contact: \_\_\_\_\_  
 Date Specified: \_\_\_\_\_  
 Specifier: \_\_\_\_\_  
 Contractor: \_\_\_\_\_

**BLANCO AMERICA**  
**800.451.5782**  
**www.blancoamerica.com**

### BLANCOTERRA™ REMOTE SINGLE LEVER

### MODEL 157-155



NUM.	PART #	DESCRIPTION
1	01221	PULL DOWN SPRAYER
2	01276	CARTRIDGE
3	15108	WASHER
4	19748	CAP, O'RING, SCREW
5	19750	TRADITIONAL LEVER
6	19860	EXT CONTROL VALVE
7	19861	TRAD HANDLE ESC
8	19879	EXT CONTROL SHANK
9	20083	1-1/4"-NUT, THICK
10	20087	FLEX HOSE
11	20088	PULL DOWN KITCH HOSE
12	20089	WEIGHT
13	20190	FLEX HOSE
14	20206	UPPER NUT
15	20207	CARTRIDGE NUT
16	91121	SPOUT SWIVEL WASHER
17	91347	O'RING
18	91648	PULL DOWN SPRAY SEAT
19	91794	O'RING
20	91925	SPOUT SWIVEL BEARING