

FEATURED MODEL

157-149-CR BLANCOBISTRO™ ONE HANDLE Bar Faucet in Polished Chrome

ADDITIONAL MODELS

157-149-ST Stainless (Satin Nickel)

FEATURES

- Cold water use only
- Solid brass body
- Ceramic disc cartridge
- Extra long supply lines
- 2.2 G.P.M. flow rate
- Installation in a 1-3/8" hole

CODE/STANDARDS COMPLIANCE

ASME A112.18.1M-2003

IAPMO Listed

WARRANTY

Blanco America's Bar faucets feature a "NO HASSLE" LIMITED LIFETIME WARRANTY to be free of all manufacturing defects under normal use. See our complete warranty for details.

While Blanco America endeavors to provide accurate information, all dimensions are nominal, cannot be guaranteed, and are subject to change or cancellation. Blanco America assumes no responsibility for use of superseded or voided specifications.

PRODUCT SPECIFICATION

Bar faucet to include solid brass body with lever handle and hi-arc spout. Faucet dimensions to be as follows: Reach: 5-1/2"; Spout Height: 5-7/8". Reversible mounting hardware to adapt to thick or thin mounting surfaces. Bar faucet to be BLANCOBISTRO™ ONE HANDLE, Model 157-149-_____in _____finish.

- Polished Chrome 157-149-CR
- Stainless (Satin Nickel) 157-149-ST



MODEL 157-149

NOMINAL DIMENSIONS

MODEL	REACH	SPOUT HEIGHT	FAUCET HEIGHT
157-149	5-1/2	5-7/8	7-3/4

Specification drawing not available at time of publication.
Check our website for an update.

www.blancoamerica.com

JOB INFORMATION

Job Name: _____

Contact: _____

Date Specified: _____

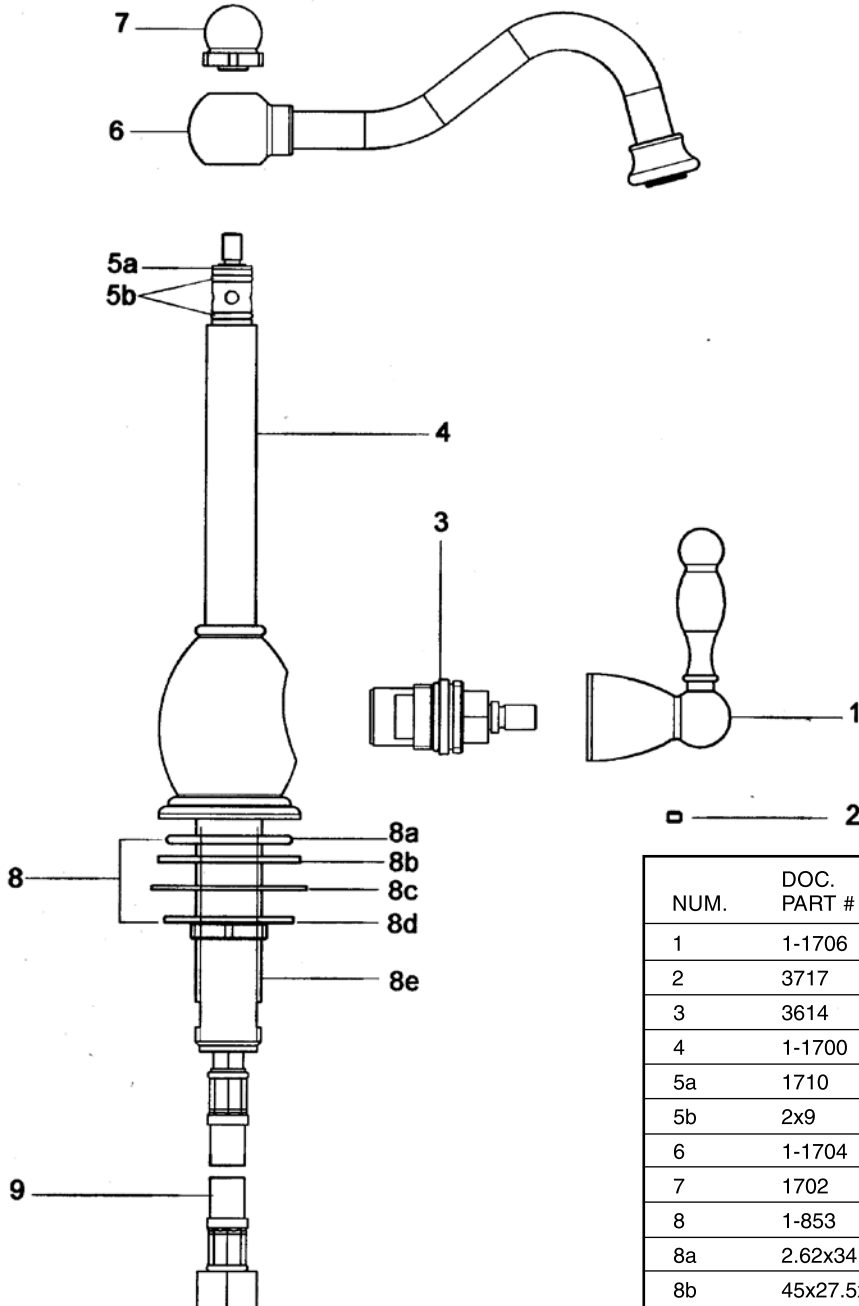
Specifier: _____

Contractor: _____

See next page for exploded parts drawing and parts list.

BLANCO AMERICA
800.451.5782
www.blancoamerica.com

BLANCOBISTRO™ ONE HANDLE MODEL 157-149



NUM.	DOC. PART #	DESCRIPTION
1	1-1706	HANDLE ASSY
2	3717	SCREW 8-32 UNC x 1/8"
3	3614	CERAMIC HEAD WORK (R)
4	1-1700	BODY ASSY
5a	1710	TEFLON WASHER
5b	2x9	O'RING
6	1-1704	SPOUT ASSY
7	1702	KNOB
8	1-853	MOUNTING NUT ASSY
8a	2.62x34.59	O'RING
8b	45x27.5x2	RUBBER WASHER
8c	1041	SS WASHER
8d	853	NUT 1/2" BSP
8e	1709	SLEEVE
9	2350	INLET HOSE