

FEATURED MODEL

157-144-ORB BLANCOTERRA™ Bridge without side spray in Oil Rubbed Bronze

ADDITIONAL MODELS

157-144-CR Polished Chrome
157-144-ST Stainless (Satin Nickel)

FEATURES

- Solid brass body
- Ceramic disc cartridge
- Color coded hot & cold supply lines
- Reversible mounting hardware adapts to thick or thin mounting surfaces
- 2.2 G.P.M. flow rate
- Installation in a 1-3/8" hole

CODE/STANDARDS COMPLIANCE

ASME A112.18.1-2005
IAPMO Listed

WARRANTY

Blanco America's Kitchen faucets feature a "NO HASSLE" LIMITED LIFETIME WARRANTY to be free of all manufacturing defects under normal use. See our complete warranty for details.

While Blanco America endeavors to provide accurate information, all dimensions are nominal, cannot be guaranteed, and are subject to change or cancellation. Blanco America assumes no responsibility for use of superseded or voided specifications.

PRODUCT SPECIFICATION

Kitchen faucet to include bridge design with lever handles, solid brass body and ceramic disc cartridge. Faucet dimensions to be as follows: Reach: 9-11/16"; Spout Height: 7". Hot and cold supply lines to be color coded. Reversible mounting hardware to adapt to thick or thin mounting surfaces. Kitchen faucet to be BLANCOTERRA™ Bridge without side spray, Model 157-144-____ in _____ finish.

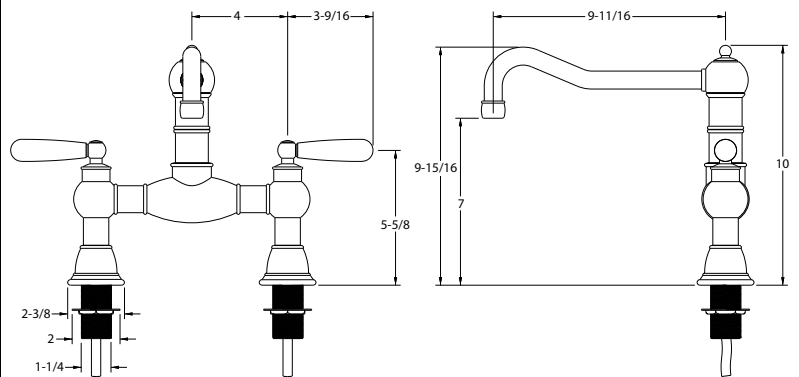
- Oil Rubbed Bronze 157-144-ORB
- Polished Chrome 157-144-CR
- Stainless (Satin Nickel) 157-144-ST



MODEL 157-144

NOMINAL DIMENSIONS

MODEL	REACH	SPOUT HEIGHT	FAUCET HEIGHT
157-144	9-11/16	7	10



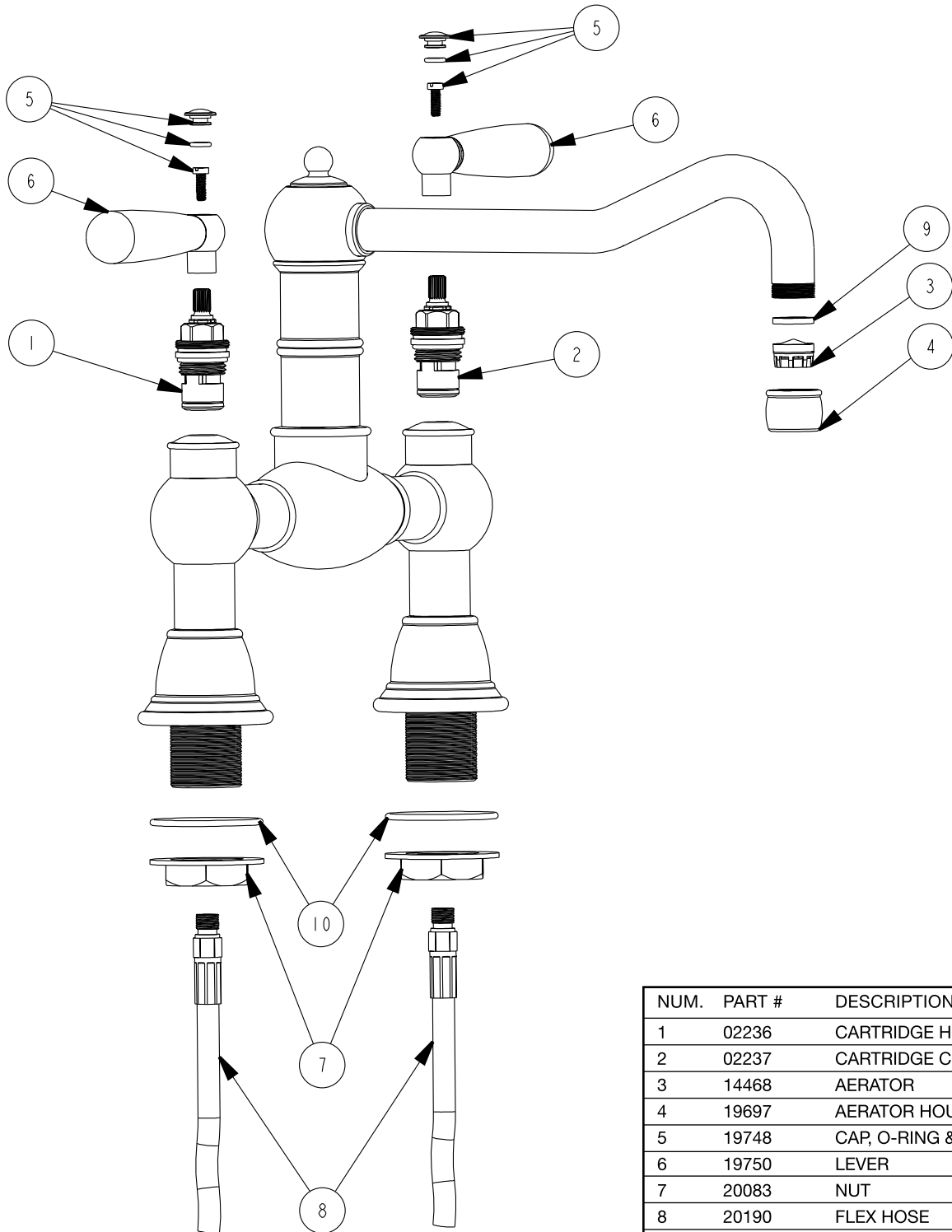
JOB INFORMATION

Job Name: _____
 Contact: _____
 Date Specified: _____
 Specifier: _____
 Contractor: _____

See next page for exploded parts drawing and parts list.

BLANCO AMERICA
800.451.5782
www.blancoamerica.com

BLANCOTERRA™ BRIDGE MODEL 157-144



NUM.	PART #	DESCRIPTION
1	02236	CARTRIDGE HOT
2	02237	CARTRIDGE COLD
3	14468	AERATOR
4	19697	AERATOR HOUSING
5	19748	CAP, O-RING & SCREW
6	19750	LEVER
7	20083	NUT
8	20190	FLEX HOSE
9	91390	RUBBER WASHER
10	91794	O-RING