

FEATURED MODEL

157-141-ST BLANCOTERRA™ Single Lever with side spray in Stainless (Satin Nickel)

ADDITIONAL MODELS

157-141-CR Polished Chrome
157-141-ORB Oil Rubbed Bronze

FEATURES

- Solid brass body
- Ceramic disc cartridge
- Color coded hot & cold supply lines
- Reversible mounting hardware adapts to thick or thin mounting surfaces
- 2.2 G.P.M. flow rate
- Installation in a 1-3/8" hole, side spray in 1-3/8" hole

CODE/STANDARDS COMPLIANCE

ASME A112.18.1-2005
 IAPMO Listed

WARRANTY

Blanco America's Kitchen faucets feature a "NO HASSLE" LIMITED LIFETIME WARRANTY to be free of all manufacturing defects under normal use. See our complete warranty for details.

While Blanco America endeavors to provide accurate information, all dimensions are nominal, cannot be guaranteed, and are subject to change or cancellation. Blanco America assumes no responsibility for use of superseded or voided specifications.

PRODUCT SPECIFICATION

Kitchen faucet to include single lever handle with solid brass body, ceramic disc cartridge and side spray. Faucet dimensions to be as follows: Reach: 9-11/16"; Spout Height: 7". Hot and cold supply lines to be color coded. Reversible mounting hardware to adapt to thick or thin mounting surfaces. Kitchen faucet to be BLANCOTERRA™ Single Lever with side spray, Model 157-141-_____in _____ finish.

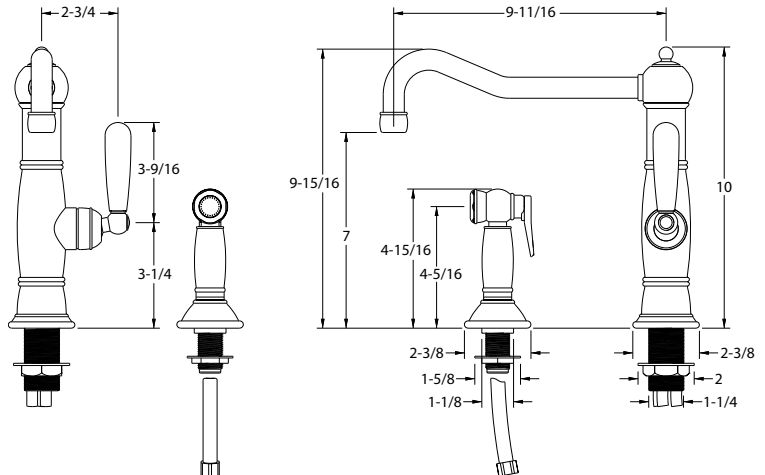
- Stainless (Satin Nickel) 157-141-ST
- Polished Chrome 157-141-CR
- Oil Rubbed Bronze 157-141-ORB



MODEL 157-141

NOMINAL DIMENSIONS

MODEL	REACH	SPOUT HEIGHT	FAUCET HEIGHT
157-141	9-11/16	7	10



JOB INFORMATION

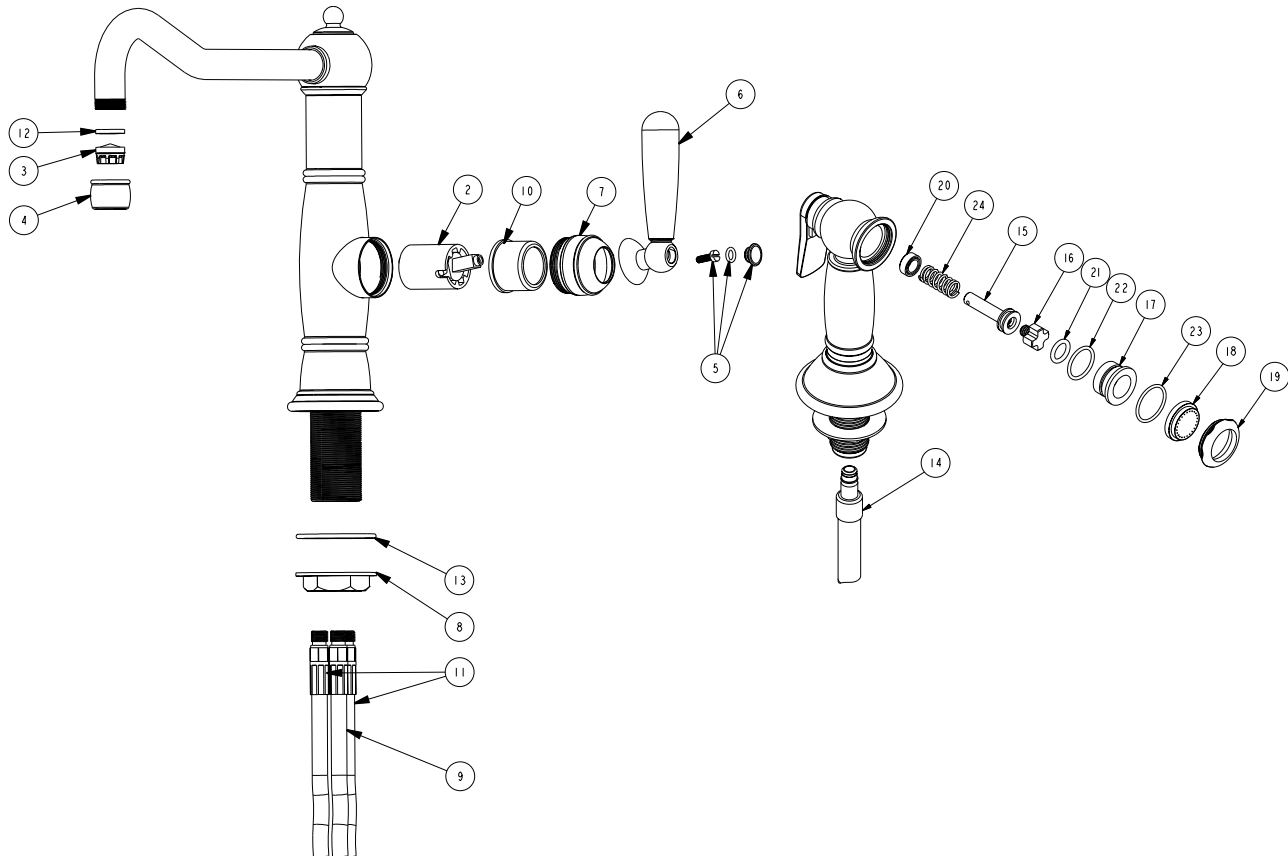
Job Name: _____
 Contact: _____
 Date Specified: _____
 Specifier: _____
 Contractor: _____

See next page for exploded parts drawing and parts list.

BLANCO AMERICA
800.451.5782
www.blancoamerica.com

BLANCOTERRA™ SINGLE LEVER

MODEL 157-141



NUM.	PART #	DESCRIPTION
1	01257	SIDESPRAY
2	02054	CARTRIDGE
3	14468	AERATOR
4	19697	AERATOR HOUSING
5	19748	SCREW, O-RING & CAP
6	19750	LEVER
7	20027	CARTRIDGE NUT
8	20083	NUT
9	20087	FLEX HOSE
10	20183	CARTRIDGE RETAINER
11	20190	FLEX HOSE
12	91390	RUBBER WASHER
13	91794	O-RING

NUM.	PART #	DESCRIPTION
14	02819	FLEX HOSE
15	20074	ACTUATOR
16	20075	ACTUATOR GUIDE
17	20076	SEAL
18	20077	NOZZLE
19	20078	CAP
20	91920	ACTUATOR SEAL
21	91921	O-RING, ACTUATOR
22	91922	O-RING, SEAL
23	91923	O-RING, CAP
24	92251	SPRING