

FEATURED MODEL

157-136-ORB BLANCOTERRA™ Widespread with side spray in Oil Rubbed Bronze

ADDITIONAL MODELS

157-136-CR Polished Chrome

157-136-ST Stainless (Satin Nickel)

FEATURES

- Solid brass body
- Ceramic disc cartridge
- Color coded hot & cold supply lines
- Reversible mounting hardware adapts to thick or thin mounting surfaces
- 2.2 G.P.M. flow rate
- Installation in a 1-3/8" hole, side spray in 1-3/8" hole

CODE/STANDARDS COMPLIANCE

ASME A112.18.1-2005

IAPMO Listed

WARRANTY

Blanco America's Kitchen faucets feature a "NO HASSLE" LIMITED LIFETIME WARRANTY to be free of all manufacturing defects under normal use. See our complete warranty for details.

While Blanco America endeavors to provide accurate information, all dimensions are nominal, cannot be guaranteed, and are subject to change or cancellation. Blanco America assumes no responsibility for use of superseded or voided specifications.

PRODUCT SPECIFICATION

Kitchen faucet to include widespread lever handles with solid brass body, ceramic disc cartridge and side spray. Faucet dimensions to be as follows: Reach: 9-11/16"; Spout Height: 7". Hot and cold supply lines to be color coded. Reversible mounting hardware to adapt to thick or thin mounting surfaces. Kitchen faucet to be BLANCOTERRA™ Widespread with side spray, Model 157-136-_____ in _____ finish.

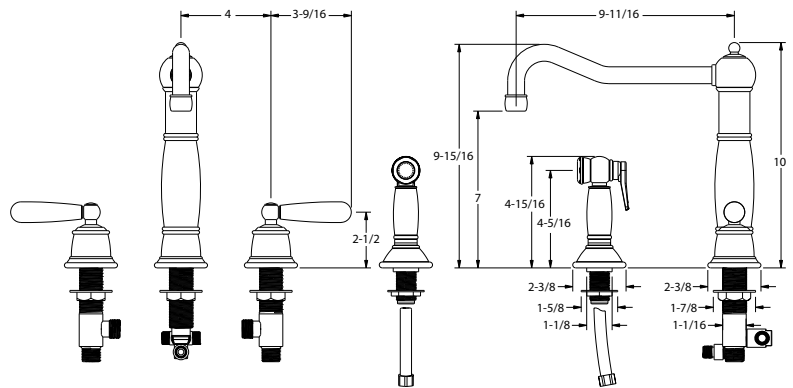
- Oil Rubbed Bronze 157-136-ORB
- Polished Chrome 157-136-CR
- Stainless (Satin Nickel) 157-136-ST



MODEL 157-136

NOMINAL DIMENSIONS

MODEL	REACH	SPOUT HEIGHT	FAUCET HEIGHT
157-136	9-11/16	7	10



JOB INFORMATION

Job Name: _____

Contact: _____

Date Specified: _____

Specifier: _____

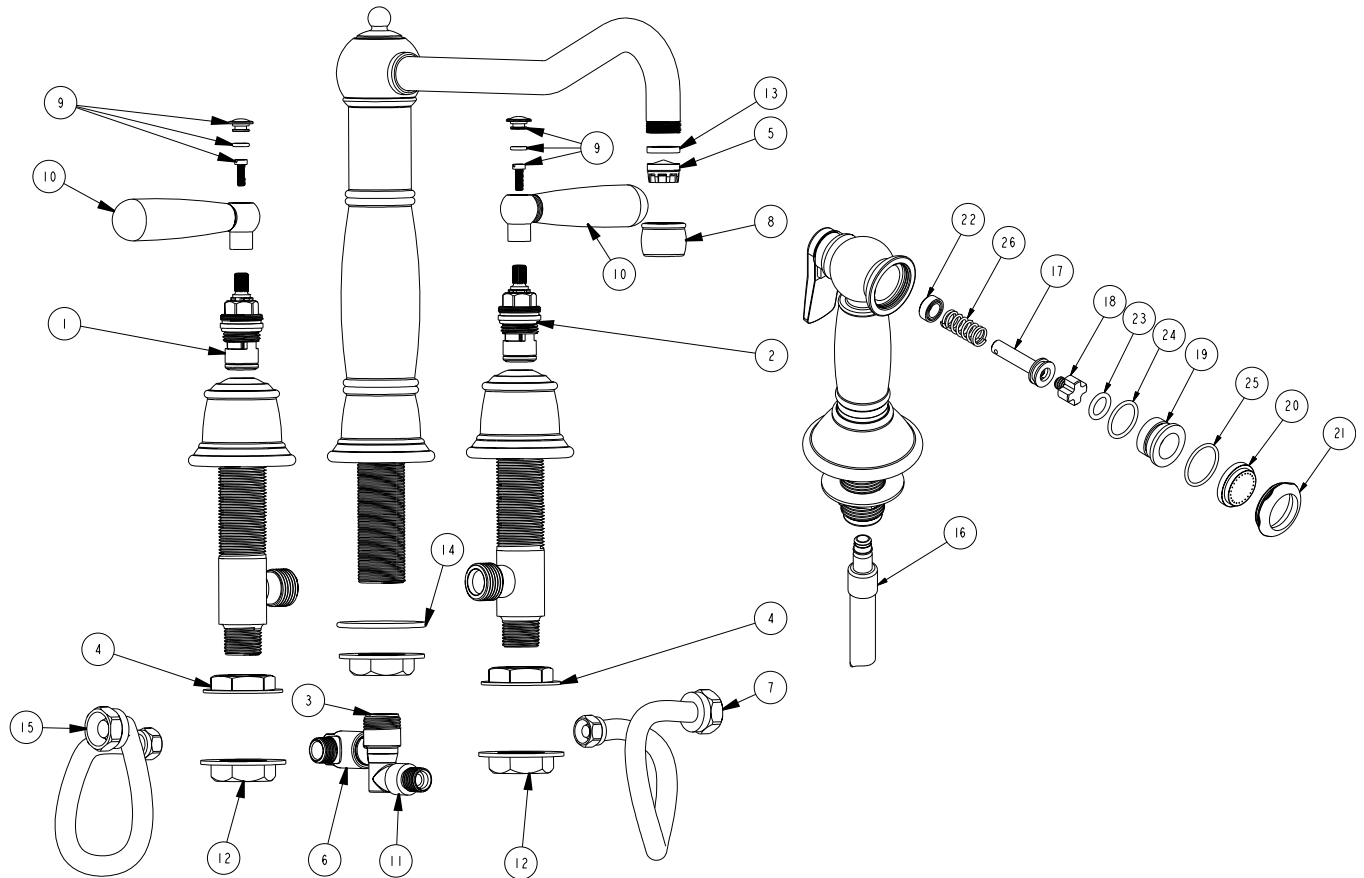
Contractor: _____

See next page for exploded parts drawing and parts list.

BLANCO AMERICA
800.451.5782
www.blancoamerica.com

BLANCOTERRA™ WIDESPREAD

MODEL 157-136



NUM.	PART #	DESCRIPTION
1	01409	TRANKLE LAV VLV H&C
2	01410	TRANKLE LAV VLV H&C
3	02881	DIVERTER WITH ELBOW
4	14275	NUT
5	14468	AERATOR
6	14585	3 WAY TEE
7	14752	FLEX HOSE
8	19697	AERATOR
9	19748	CAP, O-RING & SCREW
10	19750	TRADITIONAL LEVER
11	20072	HOSE ADAPTER
12	20082	3/4 NUT
13	91390	RUBBER WASHER

NUM.	PART #	DESCRIPTION
14	91794	O-RING
15	14752A	FLEX HOSE
16	02819	FLEX HOSE
17	20074	ACTUATOR
18	20075	ACTUATOR GUIDE
19	20076	SEAL
20	20077	NOZZLE
21	20078	CAP
22	91920	ACTUATOR SEAL
23	91921	O-RING, ACTUATOR
24	91922	O-RING, SEAL
25	91923	O-RING, CAP
26	92251	SPRING