

### FEATURED MODEL

**157-124-CR** BLANCO NEO RADOS™ Kitchen Faucet in Polished Chrome With Side Spray

### ADDITIONAL MODELS

157-124-ST Stainless (Satin Nickel)

### FEATURES

- Solid brass body and all metal side spray
- Ceramic disc cartridge
- Extra long supply lines
- 2.2 G.P.M. flow rate
- Installation in a 1-3/8" hole, side spray in 1" hole

### CODE/STANDARDS COMPLIANCE

ASME A112.18.1M-2003  
IAPMO Listed

### WARRANTY

Blanco America's Kitchen faucets feature a "NO HASSLE" LIMITED LIFETIME WARRANTY to be free of all manufacturing defects under normal use. See our complete warranty for details.

While Blanco America endeavors to provide accurate information, all dimensions are nominal, cannot be guaranteed, and are subject to change or cancellation. Blanco America assumes no responsibility for use of superseded or voided specifications.

### PRODUCT SPECIFICATION

Kitchen faucet to include loop lever and high-arc decorative spout, with solid brass body and ceramic disc cartridge. Faucet dimensions to be as follows: Reach: 10"; Spout Height: 9-1/4". Hot and cold supply lines to be color coded. Reversible mounting hardware to adapt to thick or thin mounting surfaces. Kitchen faucet to be BLANCO NEO RADOS™ with side spray, Model 157-124-\_\_\_\_\_ in \_\_\_\_\_ finish.

- Polished Chrome 157-124-CR
- Stainless (Satin Nickel) 157-124-ST



### NOMINAL DIMENSIONS

MODEL	REACH	SPOUT HEIGHT	FAUCET HEIGHT
157-124	10	9-1/4	14-1/2

**Specification drawing not available at time of publication.**  
**Check our website for an update.**

[www.blancoamerica.com](http://www.blancoamerica.com)

### JOB INFORMATION

Job Name: \_\_\_\_\_

Contact: \_\_\_\_\_

Date Specified: \_\_\_\_\_

Specifier: \_\_\_\_\_

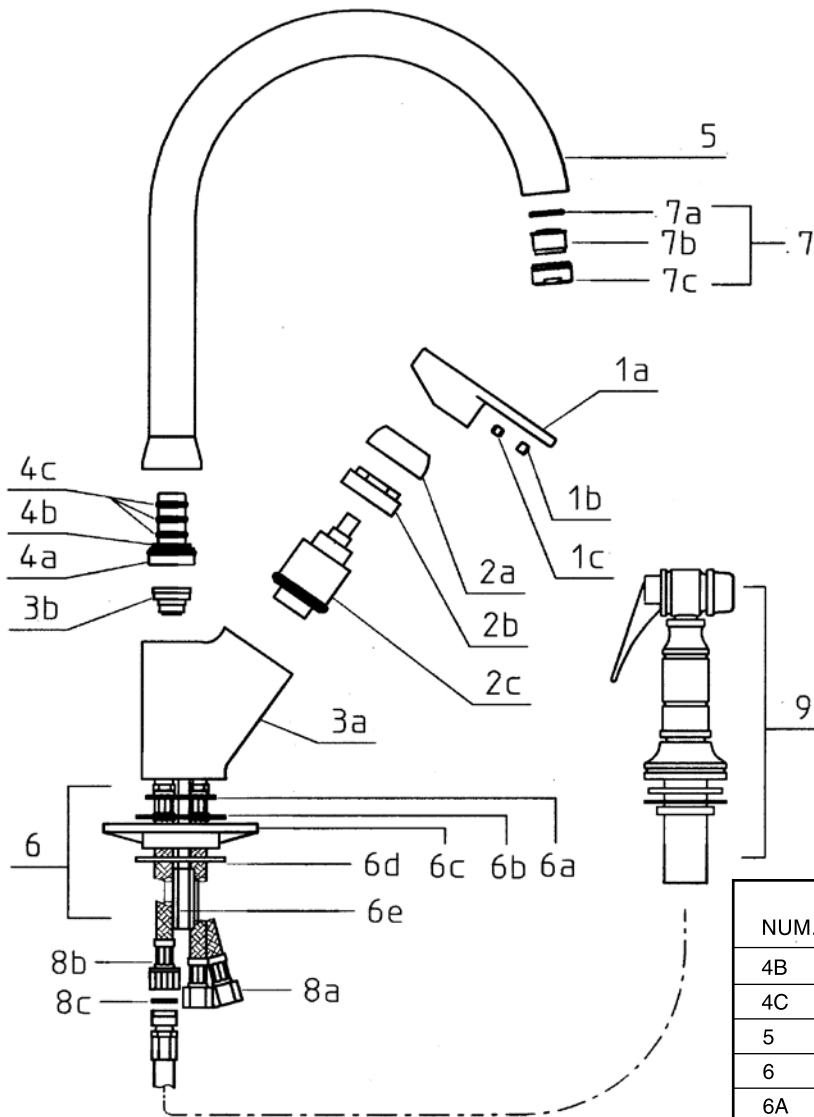
Contractor: \_\_\_\_\_

See next page for exploded parts drawing and parts list.

**BLANCO AMERICA**  
**800.451.5782**  
**www.blancoamerica.com**

### BLANCO NEO RADOS™ With Side Spray

### MODEL 157-124



NUM.	DOC. PART #	DESCRIPTION
1A	1762	HANDLE
1B	1270	BUTTON
1C	2058	SCREW
2A	3513	CAP
2B	3469	NUT
2C	3908	CARTRIDGE
3A	1760	BODY
3B	2453	DIVERTER
4A	3384	NIPPLE

NUM.	DOC. PART #	DESCRIPTION
4B	3657	TEFLON RING
4C	2.62x12.37	O-RING
5	3373	SPOUT
6	1-2105/3	MOUNTING NUT ASSY
6A	1.78x41.00	O-RING
6B	48x34x2	RUBBER WASHER
6C	3109	PLASTIC BASE
6D	2845	METAL WASHER
6E	2105/2	NUT
7		AERATOR SET
7A	683	RUBBER WASHER
7B	680	SCREEN
7C	682	AERATOR RING
8A	2350	HOSE
8B	2360	SUPPLY TUBE
8C	13.7x10x1.5	FIBER
9	1-3643	SIDE SPRAY