

FEATURED MODEL

157-086-CR **BLANCOMEDALLION™ Kitchen Faucet in Polished Chrome**

ADDITIONAL MODELS

157-086-ST **Stainless (Satin Nickel)**

FEATURES

- Solid brass body
- Ceramic disc cartridge
- Color coded hot & cold supply lines
- Reversible mounting hardware adapts to thick or thin mounting surfaces
- 2.2 G.P.M. flow rate
- Installation in a 1-3/8" hole, side spray in a 1-3/8" hole

CODE/STANDARDS COMPLIANCE

ASME A112.18.1-2005
 IAPMO Listed

WARRANTY

Blanco America's Kitchen faucets feature a "NO HASSLE" LIMITED LIFETIME WARRANTY to be free of all manufacturing defects under normal use. See our complete warranty for details.

While Blanco America endeavors to provide accurate information, all dimensions are nominal, cannot be guaranteed, and are subject to change or cancellation. Blanco America assumes no responsibility for use of superseded or voided specifications.

PRODUCT SPECIFICATION

Kitchen faucet to include traditional lever handles and high-arc decorative spout, with solid brass body and ceramic disc cartridge. Faucet dimensions to be as follows: Reach: 10"; Spout Height: 10-1/2". Hot and cold supply lines to be color coded. Side spray to be made from solid brass. Reversible mounting hardware to adapt to thick or thin mounting surfaces. Kitchen faucet to be BLANCOMEDALLION™ with side spray, Model 157-086-_____ in _____ finish.

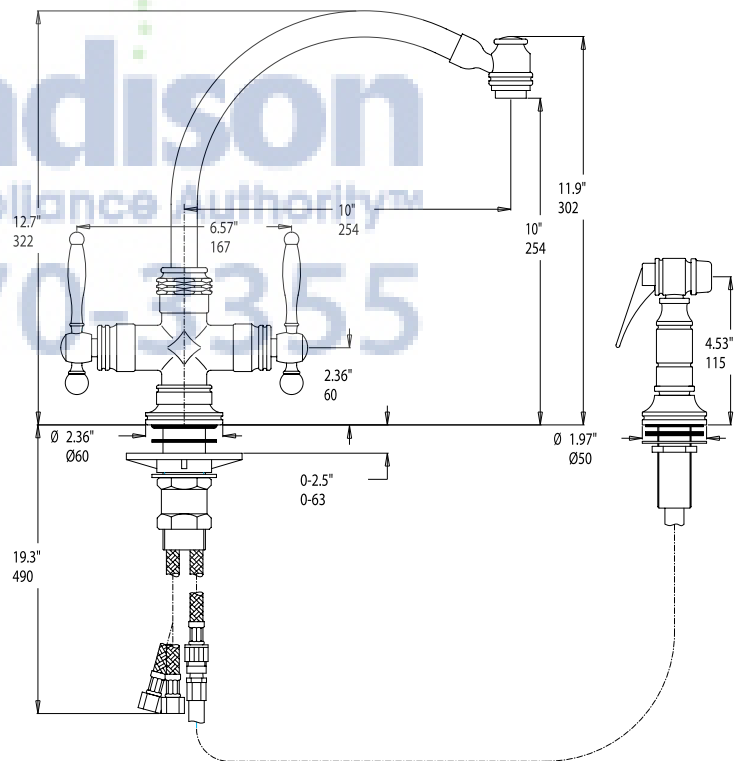
- Polished Chrome 157-086-CR
- Stainless (Satin Nickel) 157-086-ST



MODEL 157-086

NOMINAL DIMENSIONS

| MODEL | REACH | SPOUT HEIGHT | FAUCET HEIGHT |
|---------|-------|--------------|---------------|
| 157-086 | 10 | 10-1/2 | 13 |



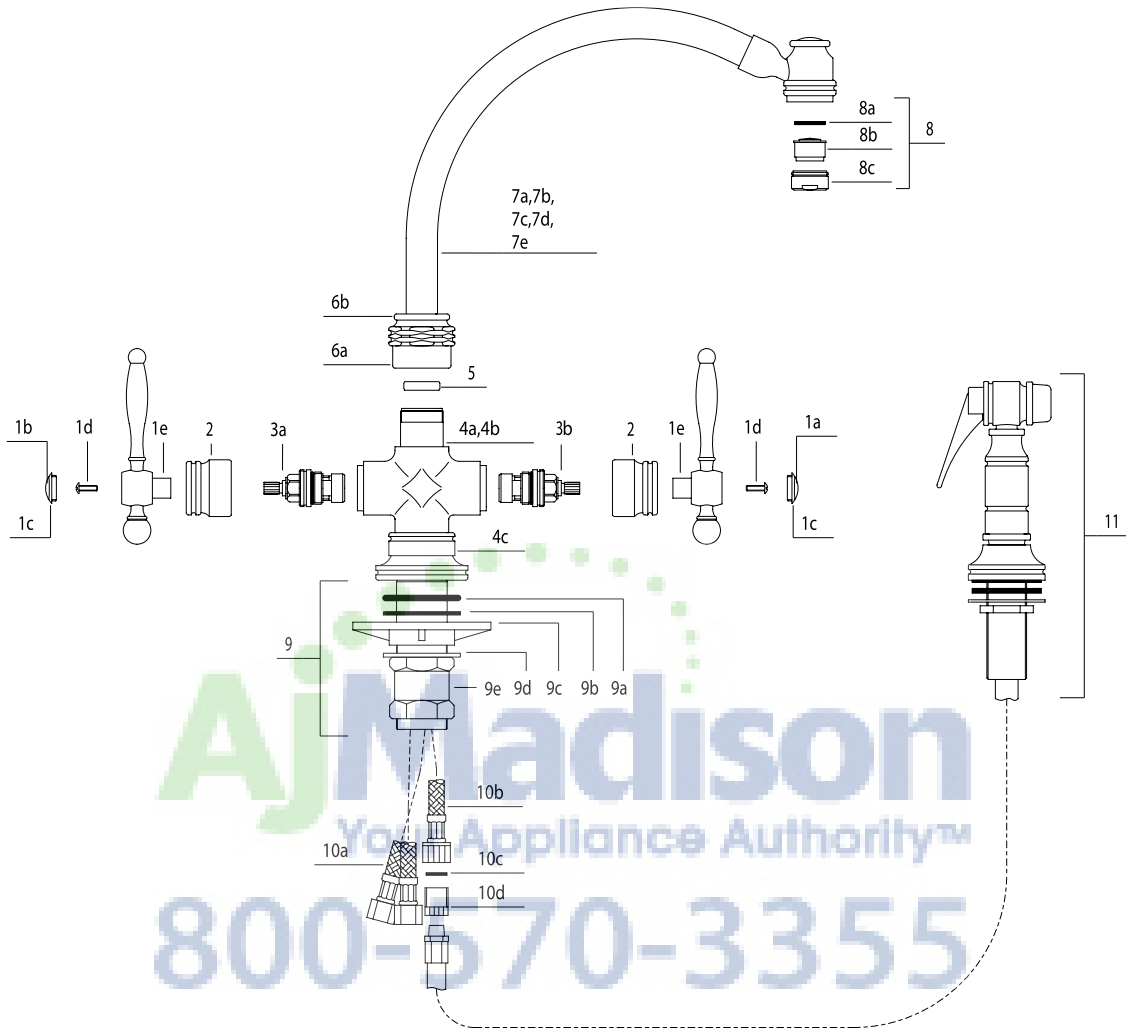
JOB INFORMATION

Job Name: _____
 Contact: _____
 Date Specified: _____
 Specifier: _____
 Contractor: _____

See next page for exploded parts drawing and parts list.

BLANCO AMERICA
800.451.5782
www.blancoamerica.com

BLANCOMEDALLION™ With Side Spray MODEL 157-086



| NUM. | DOC. PART # | DESCRIPTION |
|------|-------------|----------------------|
| 1a | 305 | BUTTON |
| 1b | 304 | BUTTON |
| 1c | 306 | BUTTON BASE |
| 1d | 2312 | SCREW |
| 1e | 1-3648 | LEVER ASSY |
| 2 | 3647 | COVER |
| 3a | 3615 | HEAD WORK ASSY LEFT |
| 3b | 3614 | HEAD WORK ASSY RIGHT |
| 4a | 3632 | BODY |
| 4b | 2453 | DIVERTER |
| 4c | 3650 | BASE |
| 5 | 3658 | TEFLON RING |
| 6a | 3646 | NUT |
| 6b | 3652 | RING |
| 7 | 1-3653 | SPOUT ASSY |

| NUM. | DOC. PART # | DESCRIPTION |
|------|-------------|-------------------|
| 8 | | AERATOR SET |
| 8a | 683 | RUBBER WASHER |
| 8b | 680 | SCREEN |
| 8c | 682 | AERATOR RING |
| 9 | 1-2359 | MOUNTING NUT ASSY |
| 9a | 3.53X42.86 | O-RING |
| 9b | 48X34X2 | RUBBER WASHER |
| 9c | 3109 | PLASTIC BASE |
| 9d | 2258 | METAL WASHER |
| 9e | 2359 | NUT |
| 10a | 2350 | HOSE |
| 10b | 2360 | SUPPLY TUBE |
| 10c | 13.7X10X1.5 | FIBER |
| 10d | 2452 | NIPPLE |
| 11 | 1-3643 | SIDE SPRAY |