

FEATURED MODEL

157-086-CR BLANCOMEDALLION™ Kitchen Faucet in Polished Chrome

ADDITIONAL MODELS

157-086-ST Stainless (Satin Nickel)
157-086-AC Antique Copper
157-086-AP Antique Pewter
157-086-AB Antique Bronze

FEATURES

- Solid brass body
- Ceramic disc cartridge
- Color coded hot & cold supply lines
- Reversible mounting hardware adapts to thick or thin mounting surfaces
- 2.2 G.P.M. flow rate
- Installation in a 1-3/8" hole, side spray in a 1" hole

CODE/STANDARDS COMPLIANCE

ASME A112.18.1M-2003
IAPMO Listed

WARRANTY

Blanco America's Kitchen faucets feature a "NO HASSLE" LIMITED LIFETIME WARRANTY to be free of all manufacturing defects under normal use. See our complete warranty for details.

While Blanco America endeavors to provide accurate information, all dimensions are nominal, cannot be guaranteed, and are subject to change or cancellation. Blanco America assumes no responsibility for use of superseded or voided specifications.

PRODUCT SPECIFICATION

Kitchen faucet to include traditional lever handles and high-arc decorative spout, with solid brass body and ceramic disc cartridge. Faucet dimensions to be as follows: Reach: 10"; Spout Height: 10-1/2". Hot and cold supply lines to be color coded. Side spray to be made from solid brass. Reversible mounting hardware to adapt to thick or thin mounting surfaces. Kitchen faucet to be BLANCOMEDALLION™ with side spray, Model 157-086-_____ in _____ finish.

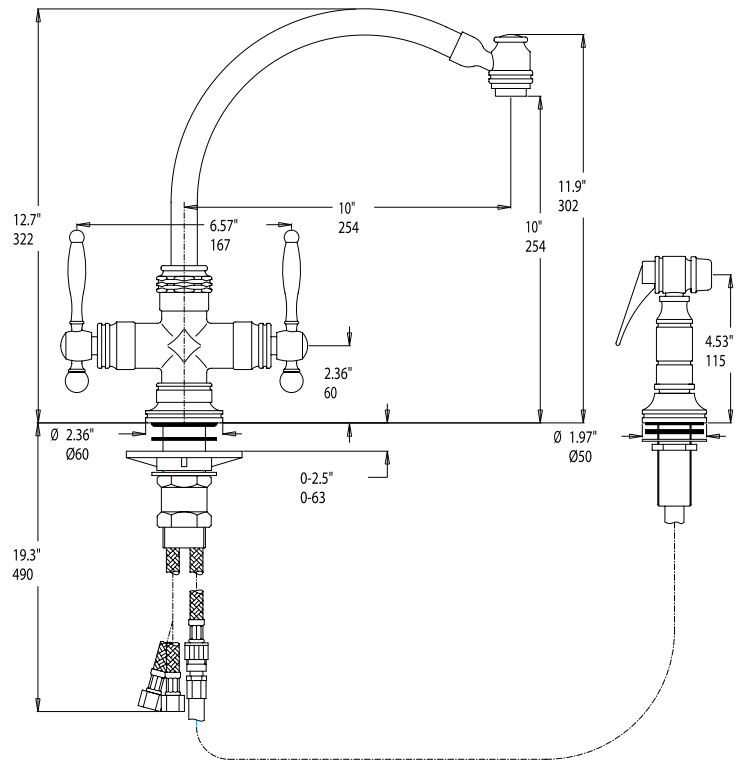
- Polished Chrome 157-086-CR
- Stainless (Satin Nickel) 157-086-ST
- Antique Copper 157-086-AC
- Antique Pewter 157-086-AP
- Antique Bronze 157-086-AB



MODEL 157-086

NOMINAL DIMENSIONS

MODEL	REACH	SPOUT HEIGHT	FAUCET HEIGHT
157-086	10	10-1/2	13



JOB INFORMATION

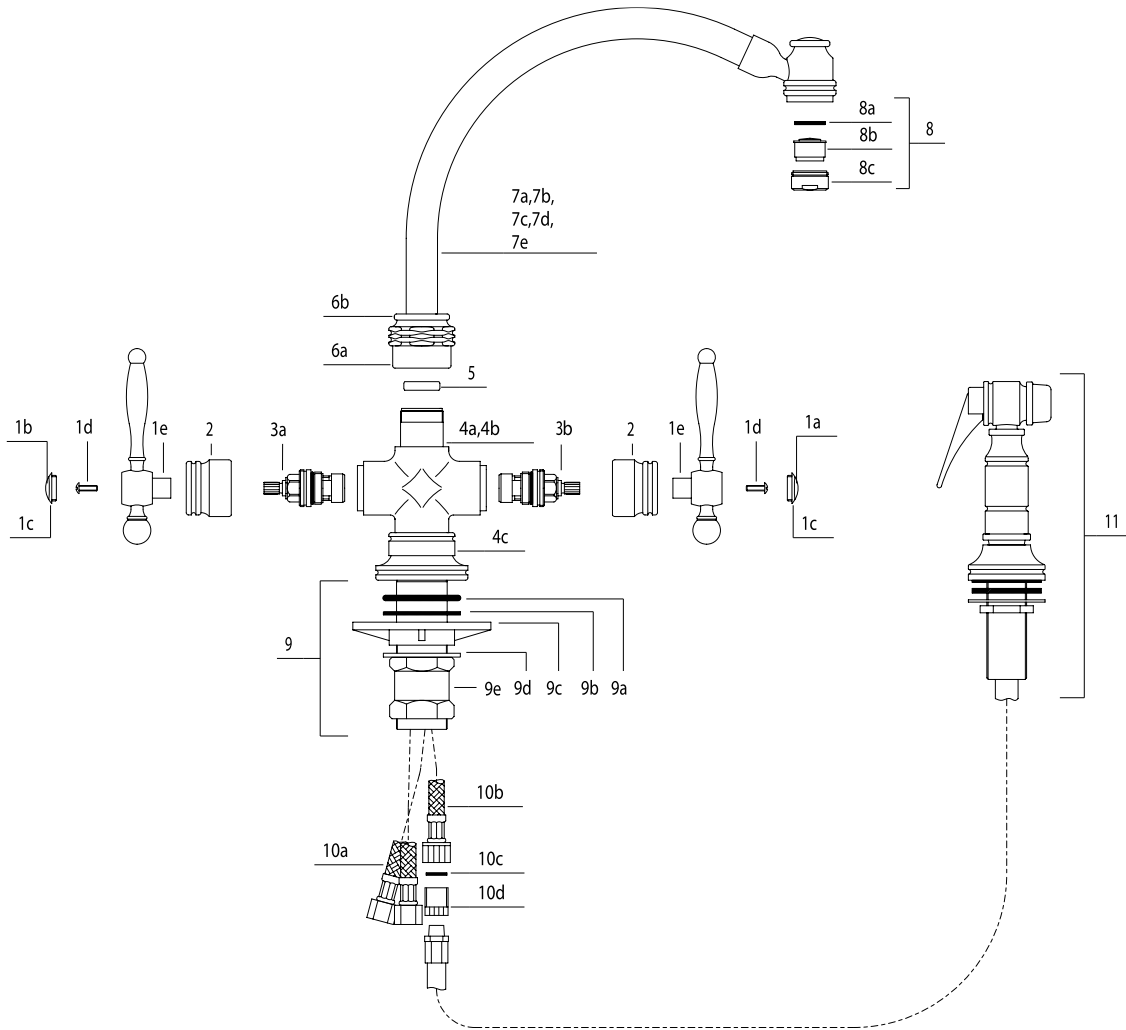
Job Name: _____
Contact: _____
Date Specified: _____
Specifier: _____
Contractor: _____

See next page for exploded parts drawing and parts list.

BLANCO AMERICA
800.451.5782
www.blancoamerica.com

BLANCOMEDALLION With Side Spray

MODEL 157-086



NUM.	DOC. PART #	DESCRIPTION
1a	305	BUTTON
1b	304	BUTTON
1c	306	BUTTON BASE
1d	2312	SCREW
1e	1-3648	LEVER ASSY
2	3647	COVER
3a	3615	HEAD WORK ASSY LEFT
3b	3614	HEAD WORK ASSY RIGHT
4a	3632	BODY
4b	2453	DIVERTER
4c	3650	BASE
5	3658	TEFLON RING
6a	3646	NUT
6b	3652	RING
7	1-3653	SPOUT ASSY

NUM.	DOC. PART #	DESCRIPTION
8		AERATOR SET
8a	683	RUBBER WASHER
8b	680	SCREEN
8c	682	AERATOR RING
9	1-2359	MOUNTING NUT ASSY
9a	3.53X42.86	O-RING
9b	48X34X2	RUBBER WASHER
9c	3109	PLASTIC BASE
9d	2258	METAL WASHER
9e	2359	NUT
10a	2350	HOSE
10b	2360	SUPPLY TUBE
10c	13.7X10X1.5	FIBER
10d	2452	NIPPLE
11	1-3643	SIDE SPRAY