

FEATURED MODEL

157-082-CR BLANCOGREENBRIER™ Kitchen Faucet in Polished Chrome

ADDITIONAL MODELS

157-082-ST Stainless (Satin Nickel)
 157-082-AC Antique Copper
 157-082-AP Antique Pewter
 157-082-AB Antique Bronze

FEATURES

- Solid brass body
- Ceramic disc cartridge
- Color coded hot & cold supply lines
- Reversible mounting hardware adapts to thick or thin mounting surfaces
- 2.2 G.P.M. flow rate
- Installation in a 1-3/8" hole, side spray in a 1" hole

CODE/STANDARDS COMPLIANCE

ASME A112.18.1M-2003
 IAPMO Listed

WARRANTY

Blanco America's Kitchen faucets feature a "NO HASSLE" LIMITED LIFETIME WARRANTY to be free of all manufacturing defects under normal use. See our complete warranty for details.

While Blanco America endeavors to provide accurate information, all dimensions are nominal, cannot be guaranteed, and are subject to change or cancellation. Blanco America assumes no responsibility for use of superseded or voided specifications.

PRODUCT SPECIFICATION

Kitchen faucet to include solid brass body, decorative lever handle, ceramic disc cartridge and side spray. Faucet dimensions to be as follows: Reach: 9"; Spout Height: 7". Hot and cold supply lines to be color coded. Reversible mounting hardware to adapt to thick or thin mounting surfaces. Kitchen faucet to be BLANCOGREENBRIER™, Model 157-082-_____ in _____ finish.

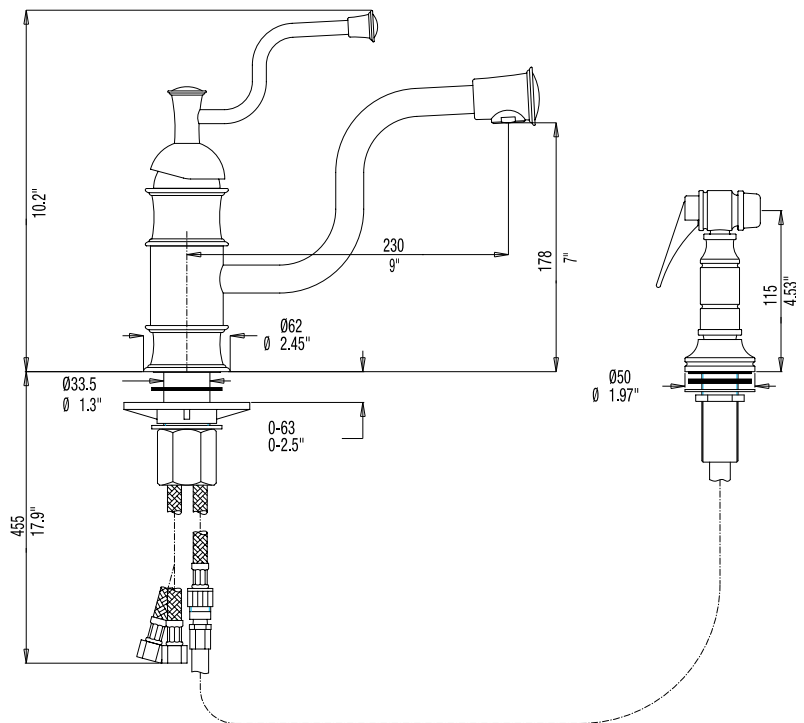
- Polished Chrome 157-082-CR
- Stainless (Satin Nickel) 157-082-ST
- Antique Copper 157-082-AC
- Antique Pewter 157-082-AP
- Antique Bronze 157-082-AB



MODEL 157-082

NOMINAL DIMENSIONS

MODEL	REACH	SPOUT HEIGHT	FAUCET HEIGHT
157-082	9	7	10-1/4



See next page for exploded parts drawing and parts list.

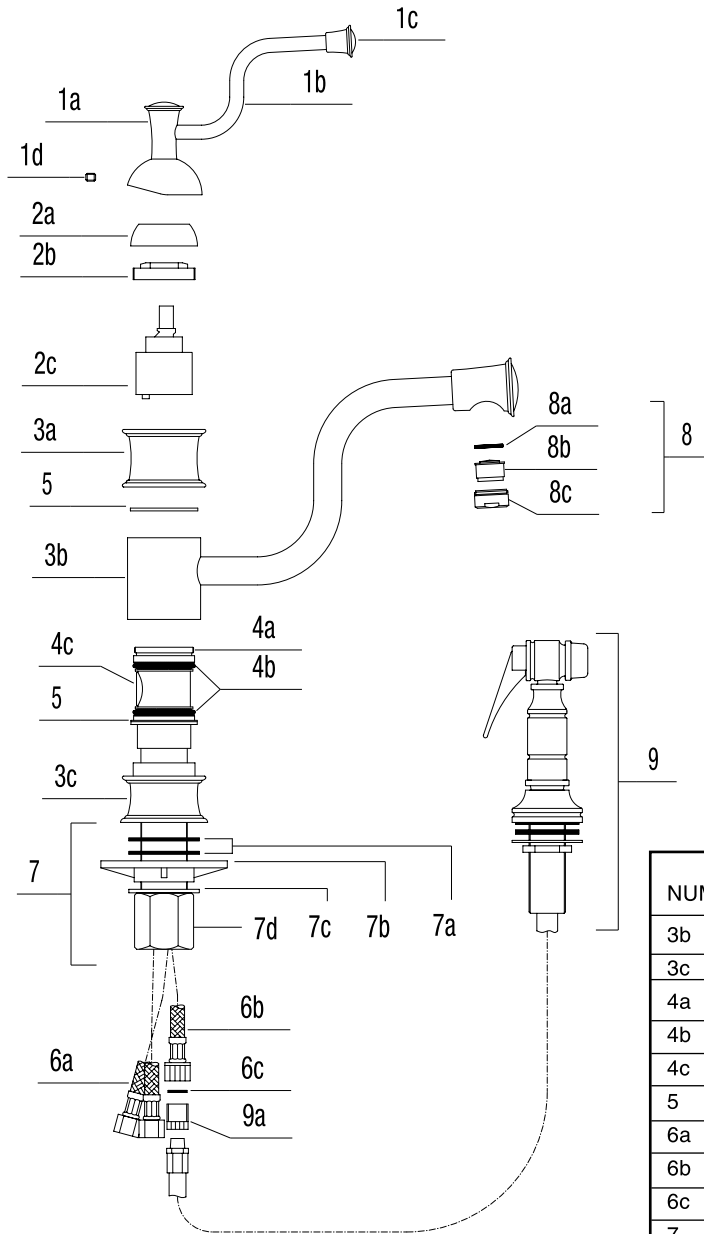
JOB INFORMATION

Job Name: _____
 Contact: _____
 Date Specified: _____
 Specifier: _____
 Contractor: _____

BLANCO AMERICA
800.451.5782
www.blancoamerica.com

BLANCOGREENBRIER™ With Side Spray

MODEL 157-082



NUM.	DOC. PART #	DESCRIPTION
1a	3950	HANDLE BASE
1b	3955	STICK
1c	3956	KNOB
1d	2058	SCREW
2a	1303	CAP
2b	1304	NUT
2c	2408	CARTRIDGE
3a	3953	HOUSING

NUM.	DOC. PART #	DESCRIPTION
3b	3951	BODY
3c	3954	BASE
4a	3952	INNER BODY
4b	012-445-044-040	V-RING
4c	2453	DIVERTER
5	1306	TEFLON RING
6a	2350	HOSE
6b	2360	SUPPLY TUBE
6c	13.7x10x1.5	FIBER
7	1-2359	MOUNTING NUT ASSY
7a	48x34x2	RUBBER WASHER
7b	3109	PLASTIC BASE
7c	2258	METAL WASHER
7d	2359	NUT
8		AERATOR SET
8a	683	RUBBER WASHER
8b	680	SCREEN
8c	682	AERATOR RING
9	1-3643	SIDE SPRAY
9a	2452	NIPPLE