

FEATURED MODEL

157-081-CR BLANCOMODERA™ Kitchen Faucet in Polished Chrome

ADDITIONAL MODELS

157-081-ST Stainless (Satin Nickel)

FEATURES

- Solid brass body
- Ceramic disc cartridge
- Color coded hot & cold supply lines
- Durable spiral flexible pullout spray hose
- Reversible mounting hardware adapts to thick or thin mounting surfaces
- 2.2 G.P.M. flow rate
- Installation in a 1-3/8" hole

CODE/STANDARDS COMPLIANCE

ASME A112.18.1M-2003

IAPMO Listed

WARRANTY

Blanco America's Kitchen faucets feature a "NO HASSLE" LIMITED LIFETIME WARRANTY to be free of all manufacturing defects under normal use. See our complete warranty for details.

While Blanco America endeavors to provide accurate information, all dimensions are nominal, cannot be guaranteed, and are subject to change or cancellation. Blanco America assumes no responsibility for use of superseded or voided specifications.

PRODUCT SPECIFICATION

Kitchen faucet to include loop handle and pull-out spray, with solid brass body and ceramic disc cartridge. Faucet dimensions to be as follows: Reach: 10-1/4"; Spout Height: 12". Hot and cold supply lines to be color coded. Reversible mounting hardware to adapt to thick or thin mounting surfaces. Kitchen faucet to be BLANCOMODERA™, Model 157-081-_____ in _____ finish.

Polished Chrome 157-081-CR

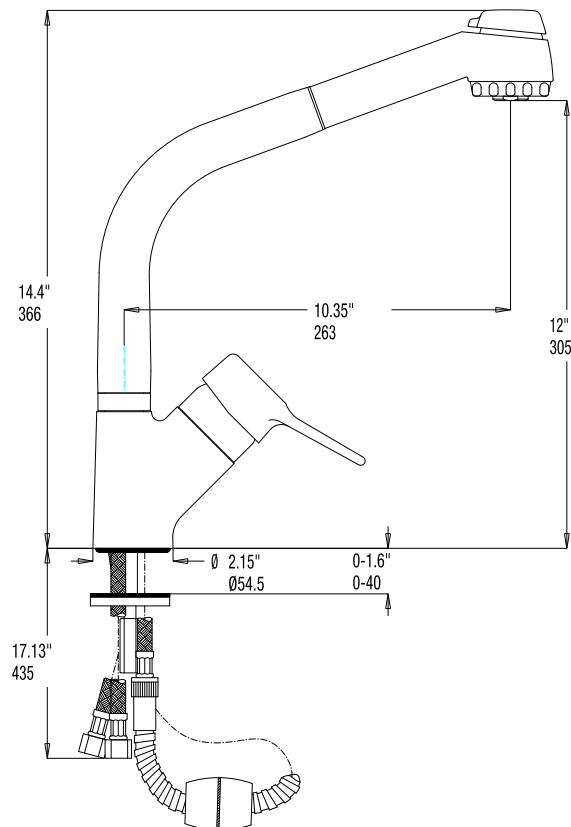
Stainless (Satin Nickel) 157-081-ST



MODEL 157-081

NOMINAL DIMENSIONS

MODEL	REACH	SPOUT HEIGHT	FAUCET HEIGHT
157-081	10-1/4"	12"	14-3/8"



See next page for exploded parts drawing and parts list.

JOB INFORMATION

Job Name: _____

Contact: _____

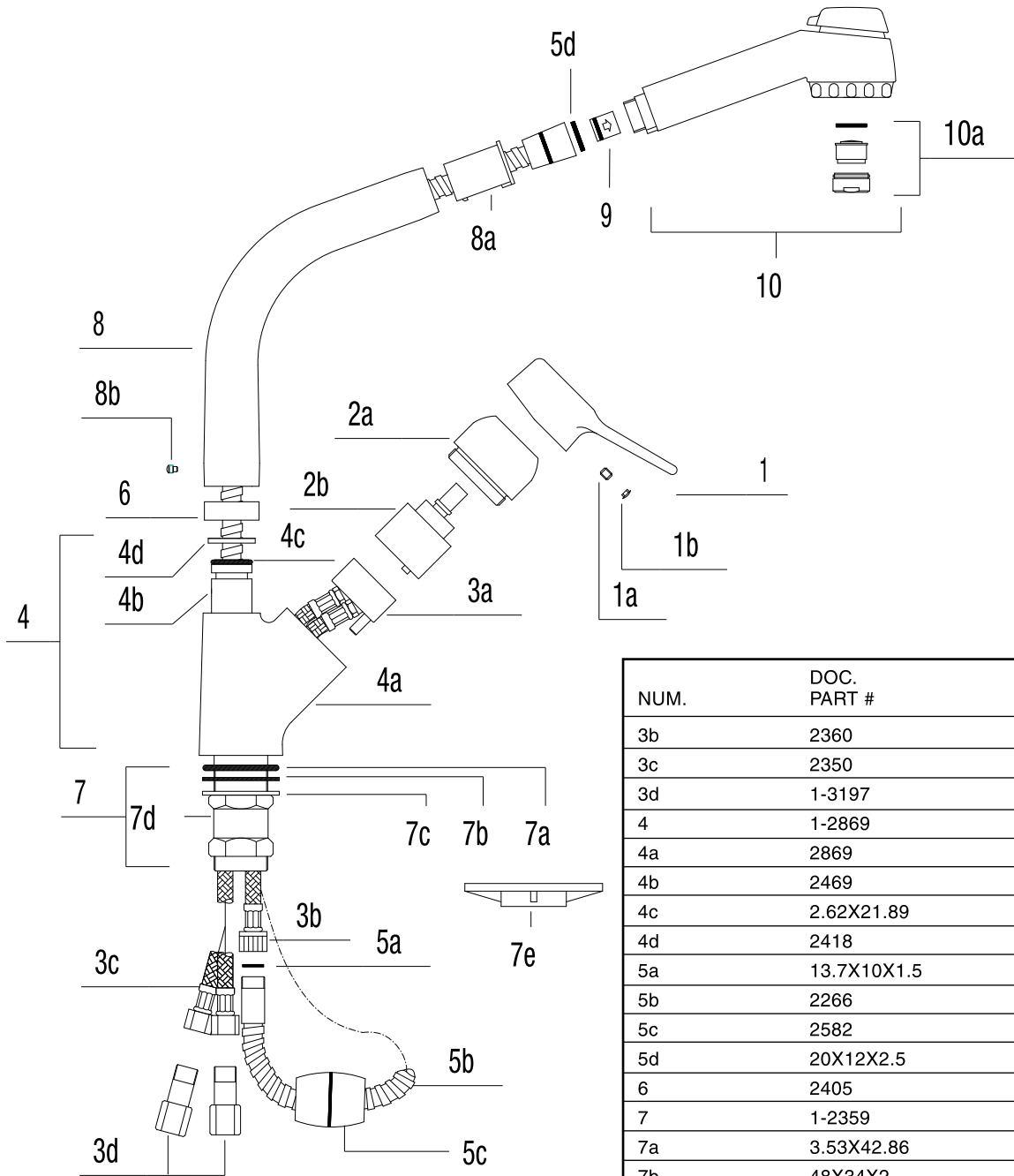
Date Specified: _____

Specifier: _____

Contractor: _____

BLANCO AMERICA
800.451.5782
www.blancoamerica.com

BLANCOMODERA™ MODEL 157-081



NUM.	DOC. PART #	DESCRIPTION
3b	2360	SUPPLY TUBE
3c	2350	HOSE
3d	1-3197	CHECK VALVE
4	1-2869	BODY ASSY
4a	2869	BODY
4b	2469	NIPPLE
4c	2.62X21.89	O'RING
4d	2418	PLASTIC RING
5a	13.7X10X1.5	FIBER
5b	2266	HOSE
5c	2582	WEIGHT
5d	20X12X2.5	RUBBER WASHER
6	2405	RING
7	1-2359	MOUNTING NUT ASSY
7a	3.53X42.86	O'RING
7b	48X34X2	RUBBER WASHER
7c	2258	METAL WASHER
7d	2359	NUT
7e	3109	PLASTIC BASE
8	2825	SPOUT
8a	2866	PLASTIC INSERT
9	2430	FLOW R.W/CHECK V
10	1494	PULL OUT SPRAY
10a	1-680	AERATOR SET

NUM.	DOC. PART	DESCRIPTION
1	2458	LEVER
1a	2058	SCREW
1b	1270	BUTTON
2a	2326	CAP
2b	2408	CARTRIDGE
3a	1-3090	INSERT