

FEATURED MODEL

157-060-CR **BLANCORADOS TRADITIONAL™ Kitchen Faucet in Polished Chrome**

ADDITIONAL MODELS

157-060-CR/CR Polished Chrome with Polished Chrome Spray
 157-060-ST Stainless (Satin Nickel)
 157-060-ST/ST Stainless (Satin Nickel) with Stainless (Satin Nickel) Spray

FEATURES

- Solid brass body
- Ceramic disc cartridge
- Extra long supply lines
- 2.2 G.P.M. flow rate
- Installation in a 1-3/8" hole

CODE/STANDARDS COMPLIANCE

ASME A112.18.1-2005
 IAPMO Listed

WARRANTY

Blanco America's Kitchen faucets feature a "NO HASSLE" LIMITED LIFETIME WARRANTY to be free of all manufacturing defects under normal use. See our complete warranty for details.

While Blanco America endeavors to provide accurate information, all dimensions are nominal, cannot be guaranteed, and are subject to change or cancellation. Blanco America assumes no responsibility for use of superseded or voided specifications.

PRODUCT SPECIFICATION

Kitchen faucet to include solid brass body with lever handle, hi-arc spout and "soft touch" pull-down handspray. Faucet dimensions to be as follows: Reach: 10"; Spout Height: 8-3/4". Reversible mounting hardware to adapt to thick or thin mounting surfaces. Kitchen faucet to be BLANCORADOS TRADITIONAL™, Model 157-060-_____ in _____ finish.

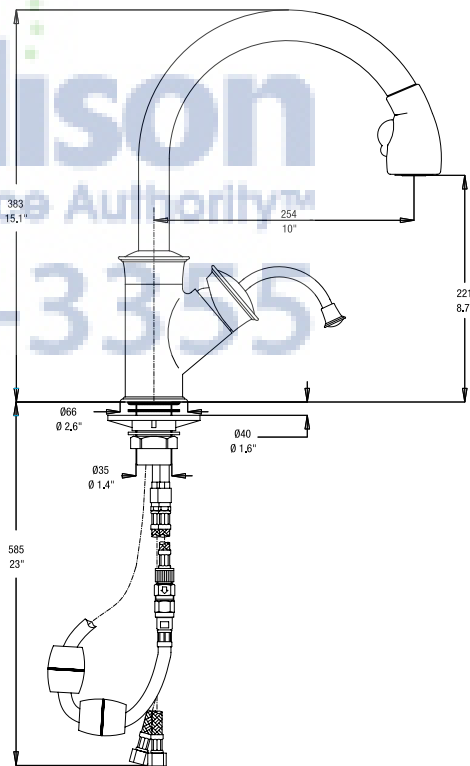
- Polished Chrome 157-060-CR
- Polished Chrome 157-060-CR/CR
- Stainless (Satin Nickel) 157-060-ST
- Stainless (Satin Nickel) 157-060-ST/ST



MODEL 157-060

NOMINAL DIMENSIONS

MODEL	REACH	SPOUT HEIGHT	FAUCET HEIGHT
157-060	10	8-3/4	15



JOB INFORMATION

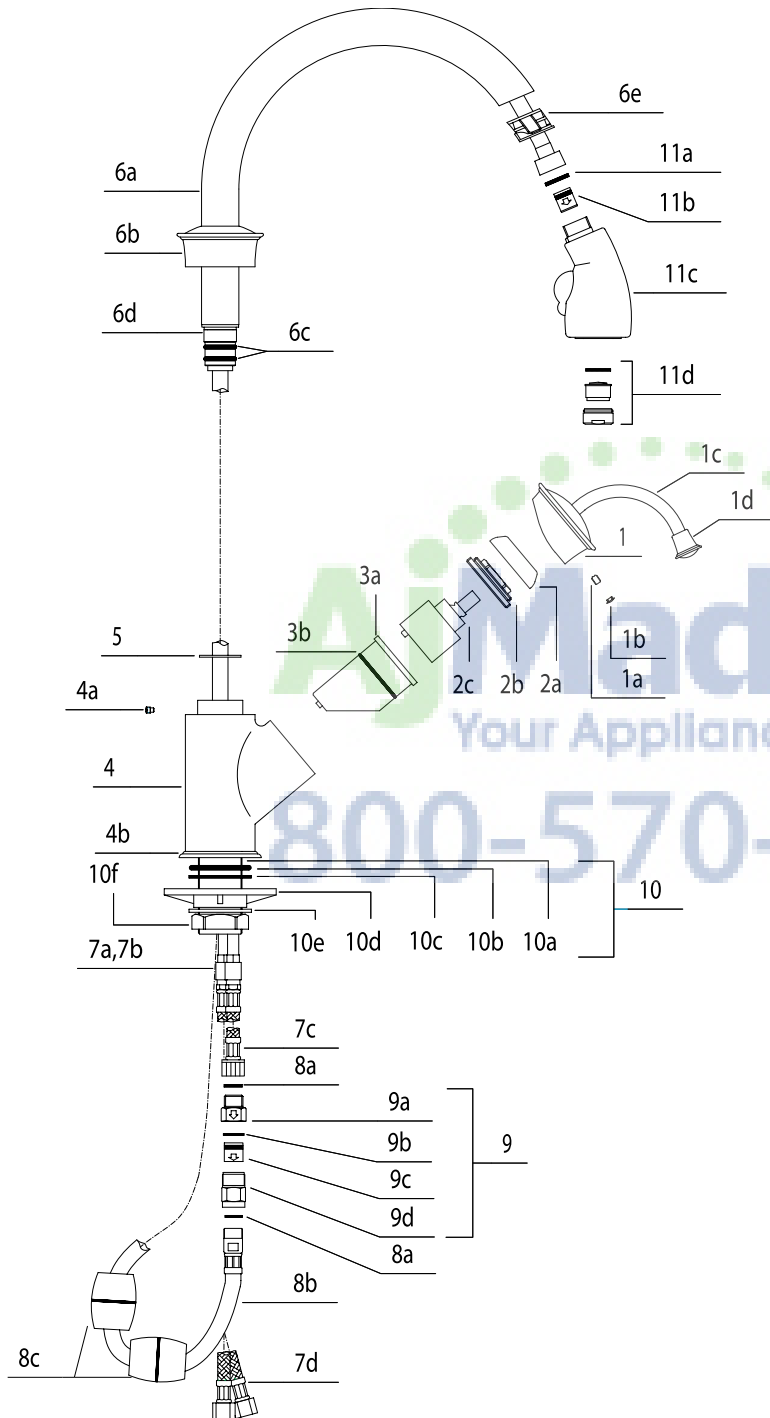
Job Name: _____
 Contact: _____
 Date Specified: _____
 Specifier: _____
 Contractor: _____

See next page for exploded parts drawing and parts list.

BLANCO AMERICA
800.451.5782
www.blancoamerica.com

BLANCORADOS TRADITIONAL™ With Pull-Down Spray

MODEL 157-060



NUM.	DOC. PART #	DESCRIPTION
1	3965	HANDLE BASE
1A	2058	SCREW
1B	1270	BUTTON
1C	3966	STICK
1D	3956	KNOB
2A	3303	CAP
2B	3311	NUT
2C	2809	CARTRIDGE
3A	3313	INSERT
3B	1.78X41	O'RING
4	3316	BODY
4A	467	SCREW
4B	3967	BASE
5	3307	TEFLON RING
6A	3382	SPOUT
6B	3968	CAP
6C	2.62x18.72	O'RING
6D	2623	TEFLON RING
6E	3371	INSERT
7A	3326	EXTENTION OUTLET
7B	1.78x7.94	O'RING
7C	3330	SUPPLY TUBE
7D	2350	HOSE
8A	13.7x10x1.5	FIBER
8B	3377	HOSE
8C	2582	WEIGHT
9	1-3115	CHECK VALVE ASSY
9A	3116	NIPPLE
9B	16.5x12x1.5	FIBER
9C	2419	CHECK VALVE
9D	3115	CHECK VALVE BODY
10	1-3333	MOUNTING NUT ASSY
10A	3304	MOUNTING SLEEVE
10B	3.53x42.86	O'RING
10C	48x38x2	RUBBER WASHER
10D	3109	PLASTIC BASE
10E	2258	METAL WASHER
10F	3333	NUT
11A	3381	WASHER SCREEN
11B	1318	FLOW REGULATOR W/ CHECK VALVE
11C	3302	PULL-DOWN SPRAY
11D	1-680	AERATOR SET