

FEATURED MODEL

157-052-CR BLANCOGRACE™ Kitchen Faucet in Polished Chrome

ADDITIONAL MODELS

157-052-ST Stainless (Satin Nickel)

FEATURES

- Solid brass body
- Ceramic disc cartridge
- Reversible mounting hardware adapts to thick or thin mounting surfaces
- 2.2 G.P.M. flow rate
- Installation in a 1-3/8" hole, side spray in 1" hole

CODE/STANDARDS COMPLIANCE

ASME A112.18.1M-2003
IAPMO Listed

WARRANTY

Blanco America's Kitchen faucets feature a "NO HASSLE" LIMITED LIFETIME WARRANTY to be free of all manufacturing defects under normal use. See our complete warranty for details.

While Blanco America endeavors to provide accurate information, all dimensions are nominal, cannot be guaranteed, and are subject to change or cancellation. Blanco America assumes no responsibility for use of superseded or voided specifications.

PRODUCT SPECIFICATION

Kitchen faucet to include solid brass body, lever handle and solid brass side spray. Faucet dimensions to be as follows: Reach: 9"; Spout Height: 8-1/4". Reversible mounting hardware to adapt to thick or thin mounting surfaces. Kitchen faucet to be BLANCOGRACE™ with side spray, Model 157-052-_____ in _____ finish.

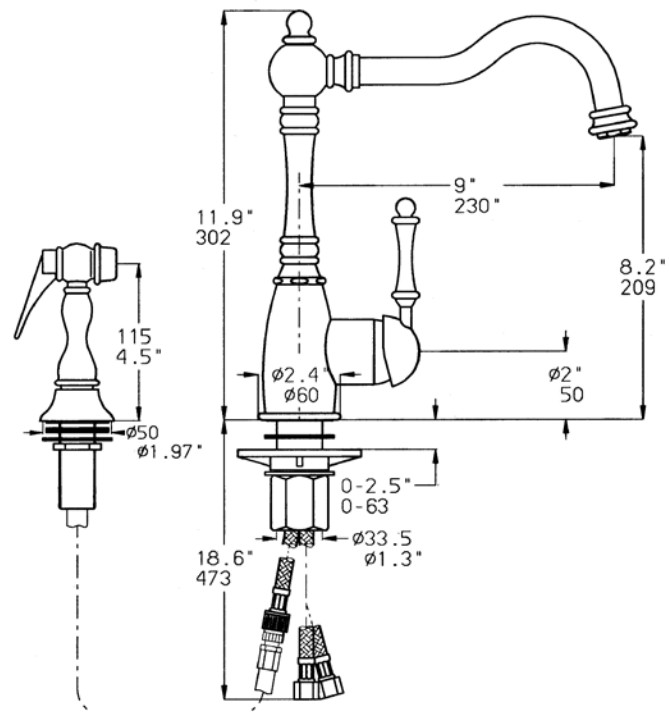
- Polished Chrome 157-052-CR
- Stainless (Satin Nickel) 157-052-ST



MODEL 157-052

NOMINAL DIMENSIONS

MODEL	REACH	SPOUT HEIGHT	FAUCET HEIGHT
157-052	9	8-1/4	12



See next page for exploded parts drawing and parts list.

JOB INFORMATION

Job Name: _____

Contact: _____

Date Specified: _____

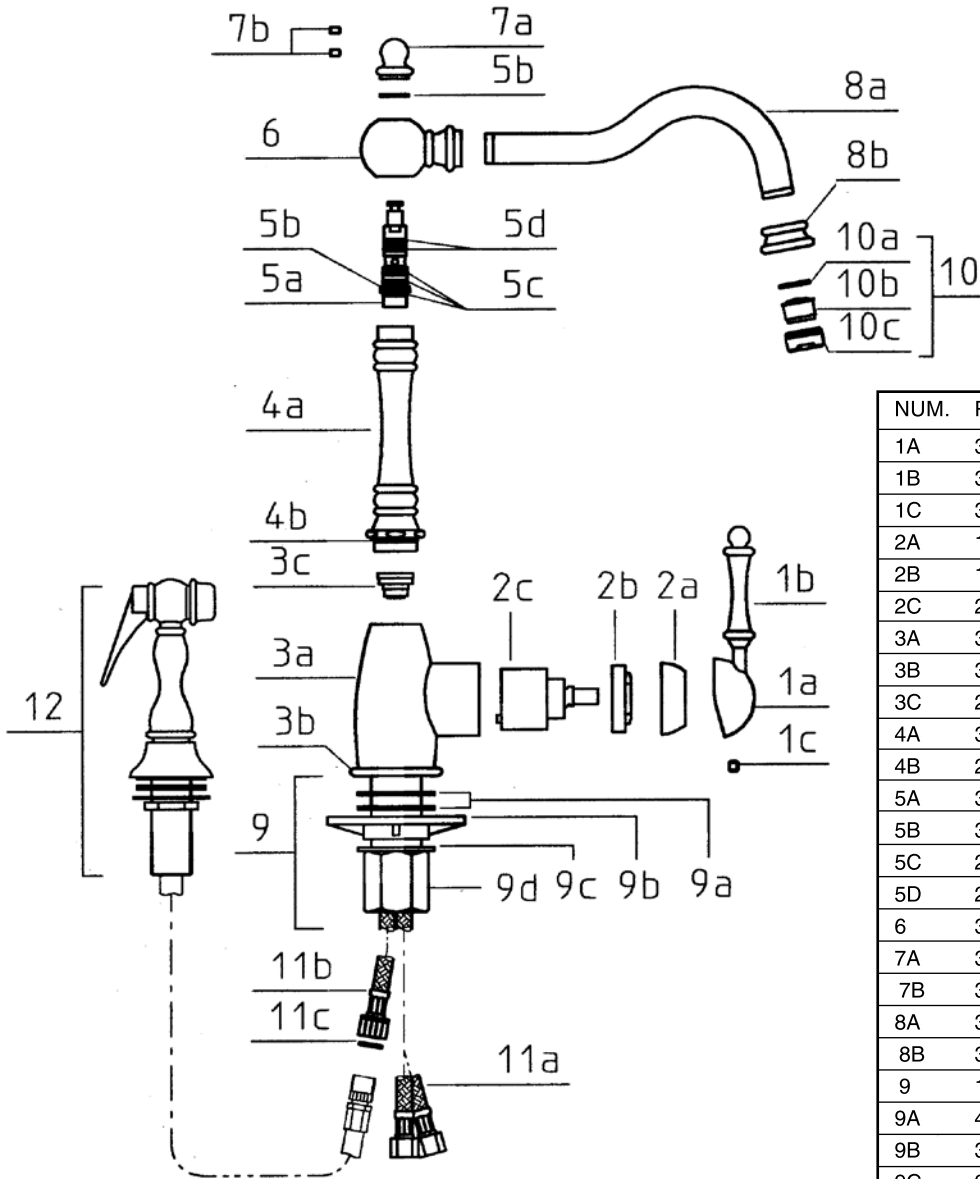
Specifier: _____

Contractor: _____

BLANCO AMERICA
800.451.5782
www.blancoamerica.com

BLANCOGRACE™ With Side Spray

MODEL 157-052



NUM.	PART #	DESCRIPTION
1A	3550	HANDLE
1B	3586	LEVER
1C	3549	SCREW
2A	1303	CAP
2B	1304	NUT
2C	2809	CARTRIDGE
3A	3551	BODY
3B	3552	BASE
3C	2453	DIVERTER
4A	3565	STEM
4B	2.62X21.89	O-RING
5A	3556	GROOVED SLEEVE
5B	3785	TEFLON RING
5C	2.62X10.77	O-RING
5D	2.5X9.4	O-RING
6	3557	SPOUT HOUSING
7A	3560	DECORATIVE KNOB
7B	3206	SCREW
8A	3554	SPOUT
8B	3555	AERATOR BASE
9	1-2359	MOUNTING NUT ASSY
9A	48X34X2	RUBBER WASHER
9B	3109	PLASTIC BASE
9C	2258	METAL WASHER
9D	2359	NUT
10		AERATOR SET
10A	683	RUBBER WASHER
10B	680	SCREEN
10C	682	AERATOR RING
11A	2350	HOSE
11B	2360	SUPPLY TUBE
11C	13.7X10X1.5	FIBER WASHER
12	1-3170	SIDE SPRAY