

### FEATURED MODEL

157-044-CR BLANCOZIROS™ in Polished Chrome

### ADDITIONAL MODELS

157-044-ST Stainless (Satin Nickel)

### FEATURES

- Solid brass body
- Ceramic disc cartridge
- Reversible mounting hardware adapts to thick or thin mounting surfaces
- 2.2 G.P.M. flow rate
- Installation in a 1-3/8" hole, side spray in a 1" hole

### CODE/STANDARDS COMPLIANCE

ASME A112.18.1M-2003

IAPMO Listed

### WARRANTY

Blanco America's Kitchen faucets feature a "NO HASSLE" LIMITED LIFETIME WARRANTY to be free of all manufacturing defects under normal use. See our complete warranty for details.

While Blanco America endeavors to provide accurate information, all dimensions are nominal, cannot be guaranteed, and are subject to change or cancellation. Blanco America assumes no responsibility for use of superseded or voided specifications.

### PRODUCT SPECIFICATION

Kitchen faucet to include solid brass body, minimalist lever handle, solid brass side spray and swivel spout. Faucet dimensions to be as follows: Reach: 9"; Spout Height: 10". Reversible mounting hardware to adapt to thick or thin mounting surfaces. Kitchen faucet to be BLANCOZIROS™ with side spray, Model 157-044-\_\_\_\_\_ in \_\_\_\_\_ finish.

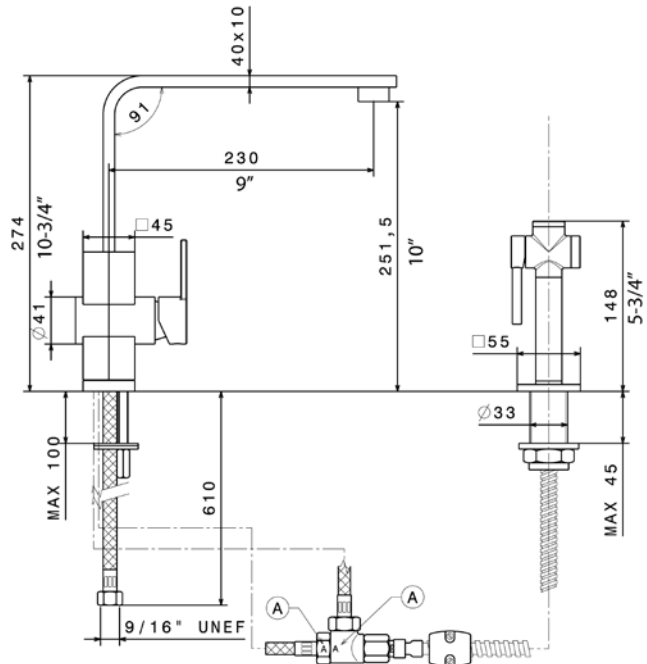
- Polished Chrome 157-044-CR
- Stainless (Satin Nickel) 157-044-ST



MODEL 157-044

### NOMINAL DIMENSIONS

MODEL	REACH	SPOUT HEIGHT	FAUCET HEIGHT
157-044	9	10	10-3/4



See next page for exploded parts drawing and parts list.

### JOB INFORMATION

Job Name: \_\_\_\_\_

Contact: \_\_\_\_\_

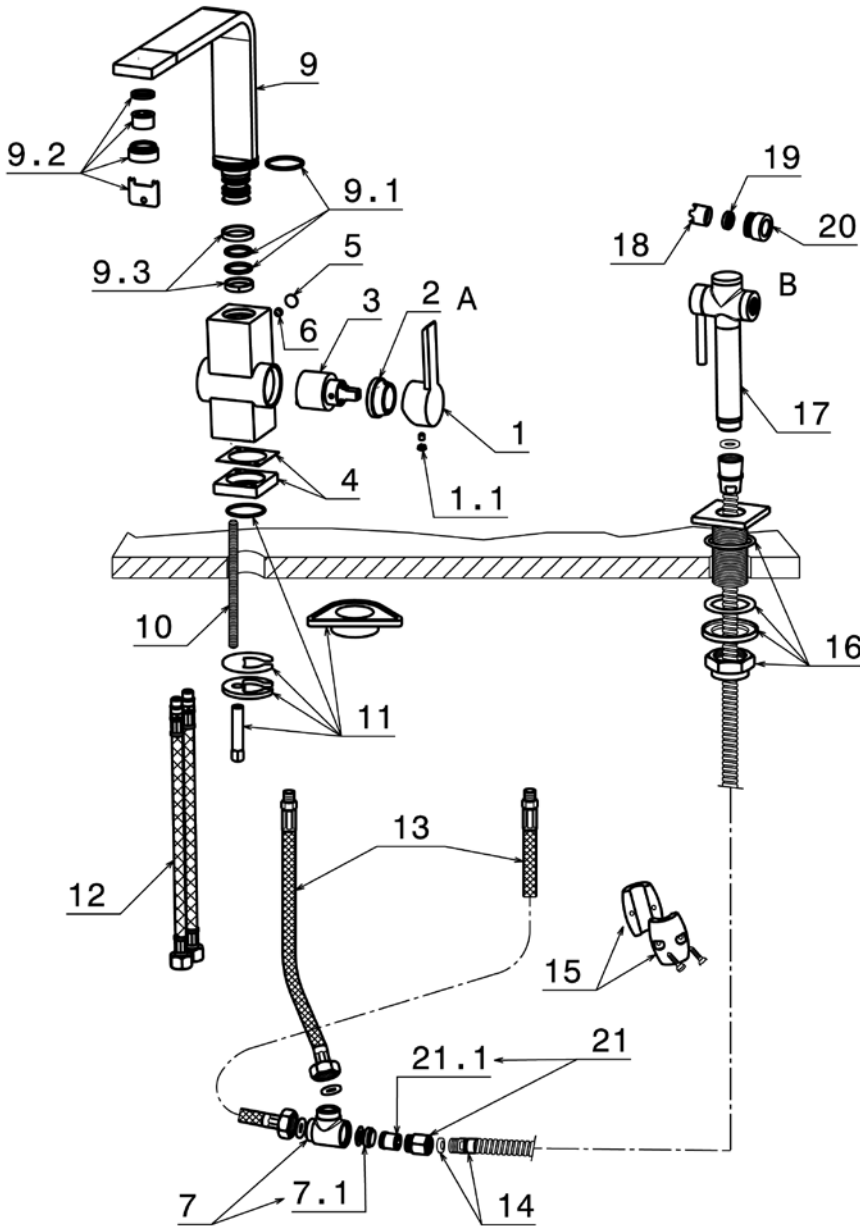
Date Specified: \_\_\_\_\_

Specifier: \_\_\_\_\_

Contractor: \_\_\_\_\_

**BLANCO AMERICA**  
800.451.5782  
www.blancoamerica.com

### BLANCOZIROS™ With Side Spray MODEL 157-044



NUM.	DESCRIPTION	DOC. PART #
1	LEVER	11845
1.1	SCREW	13504
2	NUT	11851
3	CARTRIDGE	14720
4	DECK PLATE	11850
5	HOLE CAP	18938
6	SCREW	10459
7	T CONNECTION	16282
7.1	DIVERTER	15304
9	SPOUT	11899
9.1	O-RING	13313
9.2	AREATOR	74
9.3	PLASTIC RING	14802
10	ROD TREAD	16992
11	MOUNTING SET	12321
12	HOSE	15005
13	HOSE	15003
14	HOSE CONNECTION	15101
15	WEIGHT	10618
16	MOUNTING SET	12050
17	SIDE SPRAY	18316
18	SIDE SPRAY DISK	15311
19	PERFORATED DISK	18307
20	NUT	15312
21	CONNECTION VALVE	15753
21.1	VALVE	15701