

FEATURED MODEL

157-043-ST BLANCOPODOS™ Faucet in Stainless
(Satin Nickel)

ADDITIONAL MODELS

157-043-CR Polished Chrome

FEATURES

- Solid brass body
- Ceramic disc cartridge
- Reversible mounting hardware adapts to thick or thin mounting surfaces
- 2.2 G.P.M. flow rate
- Installation in a 1-3/8" hole

CODE/STANDARDS COMPLIANCE

ASME A112.18.1M-2003

IAPMO Listed

WARRANTY

Blanco America's Kitchen faucets feature a "NO HASSLE" LIMITED LIFETIME WARRANTY to be free of all manufacturing defects under normal use. See our complete warranty for details.

While Blanco America endeavors to provide accurate information, all dimensions are nominal, cannot be guaranteed, and are subject to change or cancellation. Blanco America assumes no responsibility for use of superseded or voided specifications.

PRODUCT SPECIFICATION

Kitchen faucet to include solid brass body, single lever handle and swivel spout. Faucet dimensions to be as follows: Reach: 9"; Spout Height: 9-3/4". Reversible mounting hardware to adapt to thick or thin mounting surfaces. Kitchen faucet to be BLANCOPODOS™, Model 157-043-_____ in _____ finish.

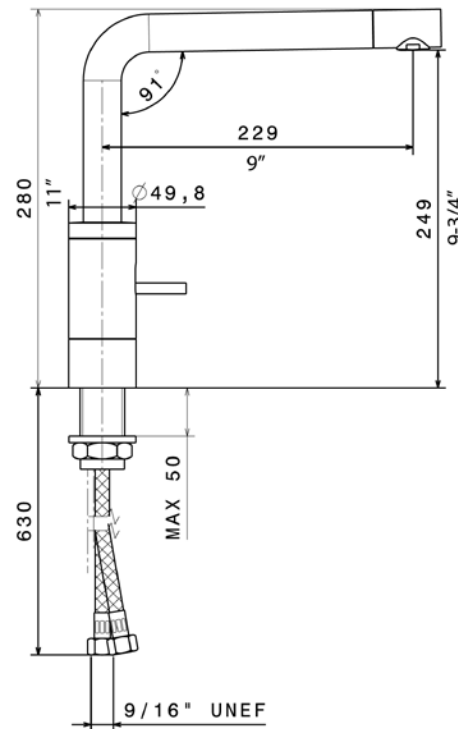
- Polished Chrome 157-043-CR
- Stainless (Satin Nickel) 157-043-ST



MODEL 157-043

NOMINAL DIMENSIONS

| MODEL | REACH | SPOUT HEIGHT | FAUCET HEIGHT |
|---------|-------|--------------|---------------|
| 157-043 | 9 | 9-3/4 | 11 |



JOB INFORMATION

Job Name: _____

Contact: _____

Date Specified: _____

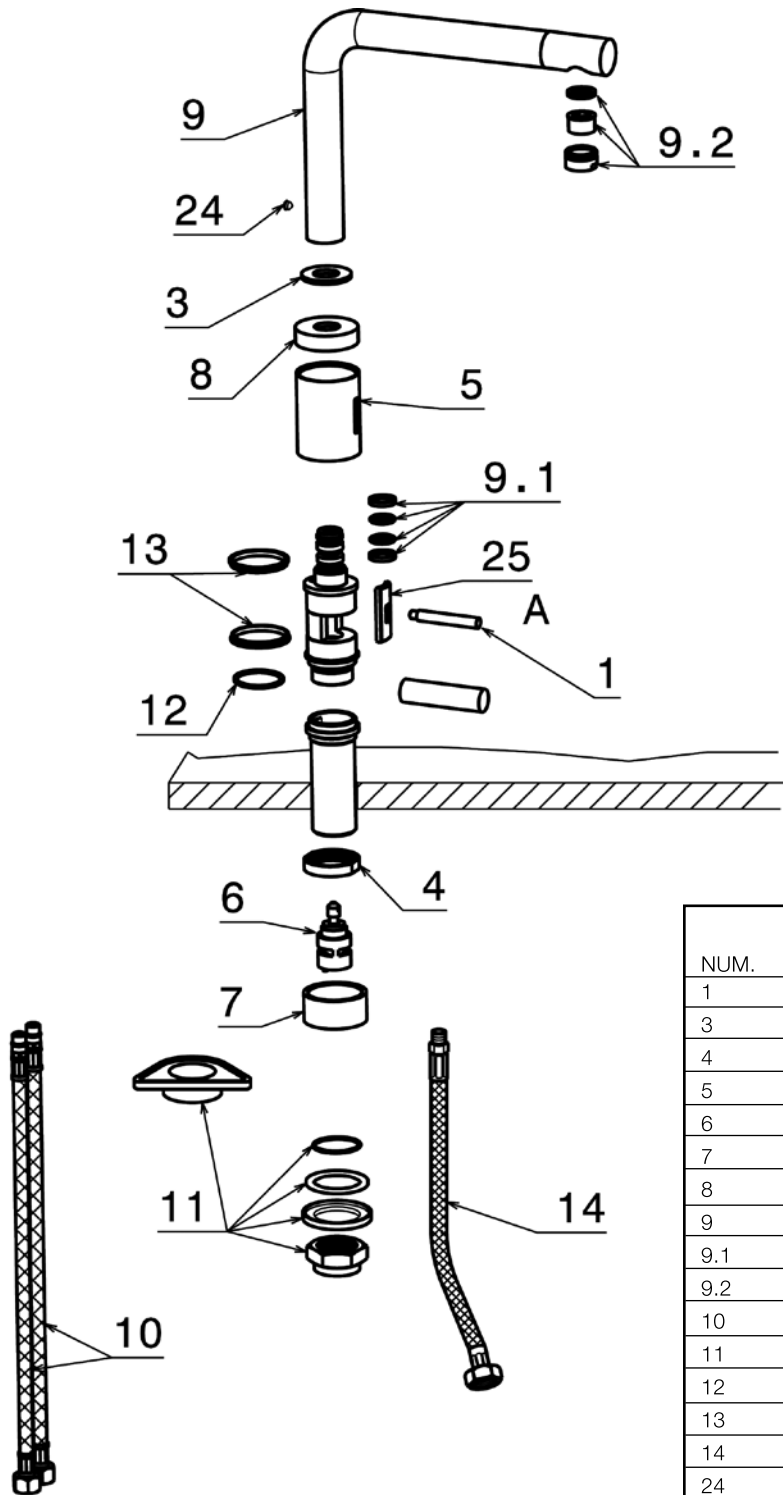
Specifier: _____

Contractor: _____

See next page for exploded parts drawing and parts list.

BLANCO AMERICA
800.451.5782
www.blancoamerica.com

BLANCOPODOS™ MODEL 157-043



| NUM. | DESCRIPTION | DOC. PART # |
|------|--------------|-------------|
| 1 | LEVER | 11879 |
| 3 | RING | 11872 |
| 4 | NUT | 11877 |
| 5 | BUSH | 11874 |
| 6 | CARTRIDGE | 11554 |
| 7 | BODY SUPPORT | 11878 |
| 8 | CLOSER RING | 11873 |
| 9 | SPOUT | 11898 |
| 9.1 | PLASTIC RING | 18051 |
| 9.2 | AERATOR | 89 |
| 10 | HOSE | 15005 |
| 11 | MOUNTING SET | 12324 |
| 12 | O-RING | 10960 |
| 13 | PLASTIC RING | 19416 |
| 14 | HOSE | 15003 |
| 24 | SCREW | 10459 |
| 25 | BUSH | 11880 |