

### FEATURED MODEL

157-041-CR BLANCOBRIDGE™ KitchenFaucet in Polished Chrome

### ADDITIONAL MODELS

157-041-ST Stainless (Satin Nickel)

### FEATURES

- Solid brass body
- Ceramic disc cartridge
- Reversible mounting hardware adapts to thick or thin mounting surfaces
- 2.2 G.P.M. flow rate
- Installation in a 1-3/8" hole

### CODE/STANDARDS COMPLIANCE

ASME A112.18.1M-2003

IAPMO Listed

### WARRANTY

Blanco America's Kitchen faucets feature a "NO HASSLE" LIMITED LIFETIME WARRANTY to be free of all manufacturing defects under normal use. See our complete warranty for details.

While Blanco America endeavors to provide accurate information, all dimensions are nominal, cannot be guaranteed, and are subject to change or cancellation. Blanco America assumes no responsibility for use of superseded or voided specifications.

### PRODUCT SPECIFICATION

Kitchen faucet to include solid brass body, cross handles and ceramic disc cartridge. Faucet dimensions to be as follows: Reach: 9"; Spout Height: 8-1/2". Reversible mounting hardware to adapt to thick or thin mounting surfaces. Kitchen faucet to be BLANCOBRIDGE™, Model 157-041-\_\_\_\_\_ in \_\_\_\_\_ finish.

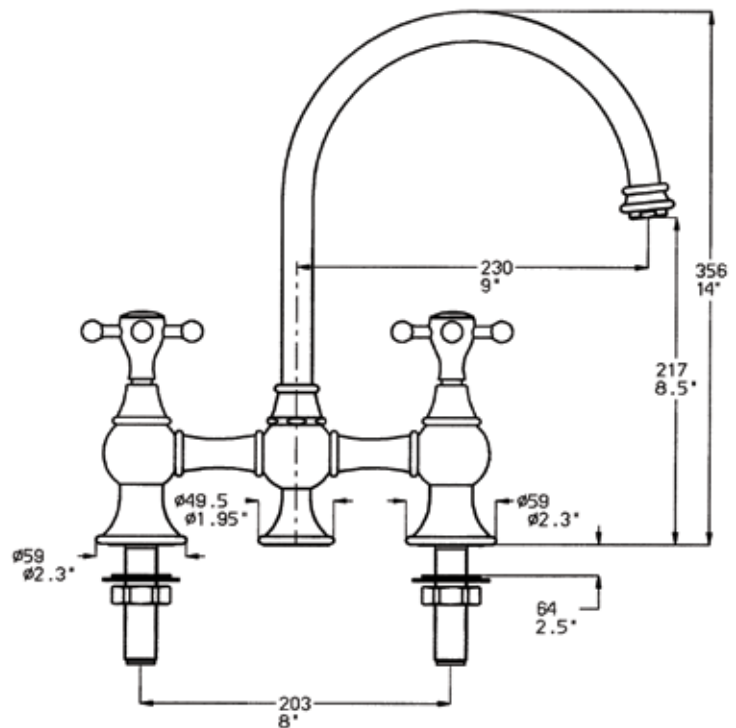
- Polished Chrome 157-041-CR
- Stainless (Satin Nickel) 157-041-ST



MODEL 157-041

### NOMINAL DIMENSIONS

MODEL	REACH	SPOUT HEIGHT	FAUCET HEIGHT
157-041	9	8-1/2	14



See next page for exploded parts drawing and parts list.

### JOB INFORMATION

Job Name: \_\_\_\_\_

Contact: \_\_\_\_\_

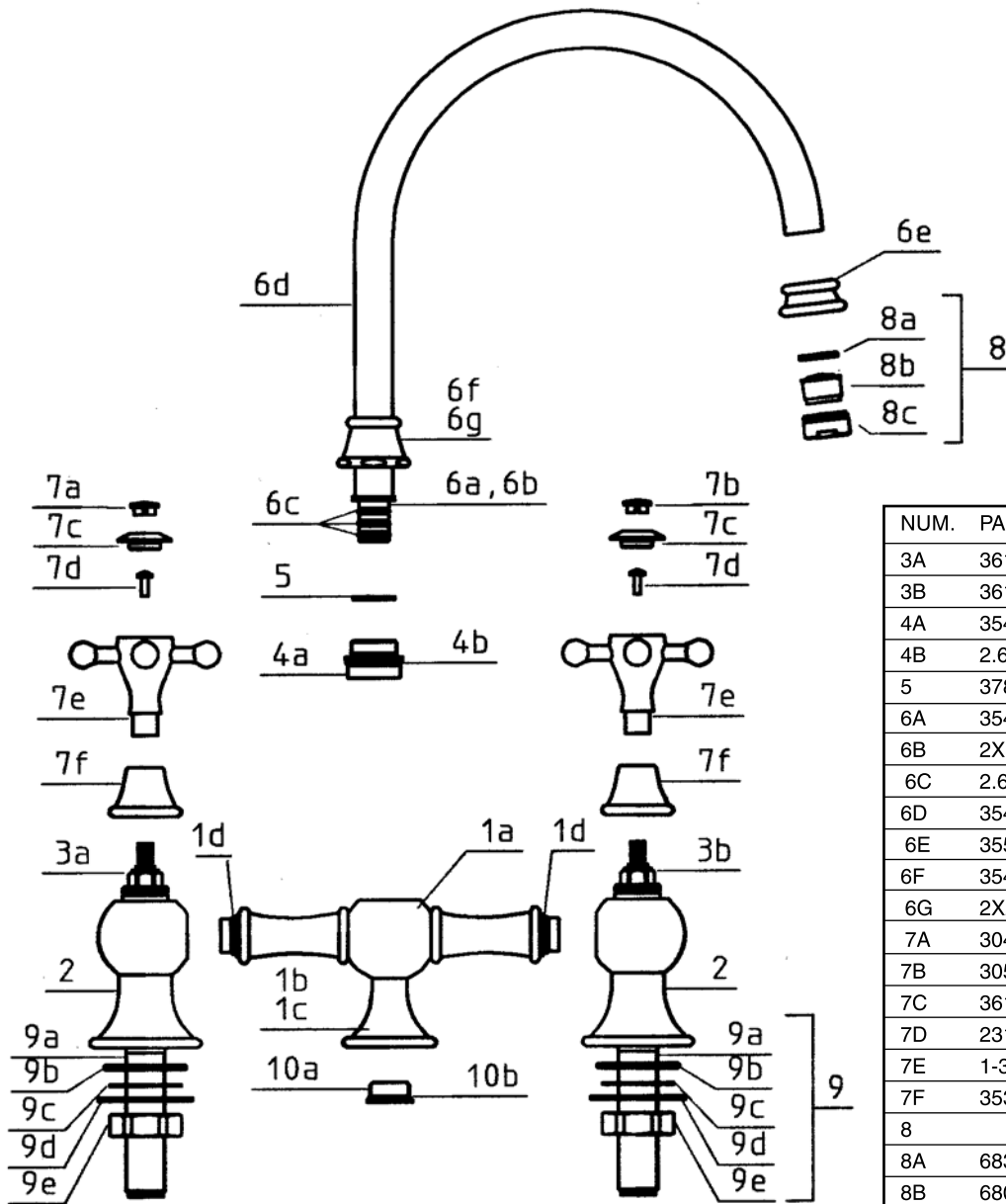
Date Specified: \_\_\_\_\_

Specifier: \_\_\_\_\_

Contractor: \_\_\_\_\_

**BLANCO AMERICA**  
**800.451.5782**  
**www.blancoamerica.com**

### BLANCOBRIDGE™ MODEL 157-041



NUM.	PART #	DESCRIPTION
3A	3614	COLD CARTRIDGE RIGHT
3B	3615	HOT CARTRIDGE LEFT
4A	3543	NIPPLE
4B	2.62X21.89	O-RING
5	3785	TEFLON RING
6A	3544	NIPPLE
6B	2X14	O-RING
6C	2.62X10.77	O-RING
6D	3540	SPOUT
6E	3555	AERATOR BASE
6F	3542	NUT
6G	2X20	O-RING
7A	304	BUTTON
7B	305	BUTTON
7C	3612	BUTTON BASE
7D	2312	SCREW
7E	1-3611	CROSS HANDLE
7F	3535	DECORATIVE CAP
8		AERATOR SET
8A	683	RUBBER WASHER
8B	680	SCREEN
8C	682	AERATOR RING
9	1-3538	MOUNTING NUT ASSY
9A	3536	MOUNTING SLEEVE
9B	3537	MOUNTING SLEEVE
9C	2.62X37.77	O-RING
9D	38X21X1	RUBBER WASHER
9E	1041	METAL RING
9F	3538	NUT
10A	3330	SUPPLY TUBE
10B	13.7X10X1.5	FIBER WASHER

NUM.	PART #	DESCRIPTION
1A	3532	BRIDGE BODY
1B	3534	BASE
1C	2.5X9.4	O-RING
1D	2.62X15.08	O-RING
1E	2453	DIVERTER
2	3533	VALVE HOUSING