

### FEATURED MODEL

**157-013-CR** BLANCOHARVEST™ Kitchen Faucet in Polished Chrome

### ADDITIONAL MODELS

157-013-ST Stainless (Satin Nickel)

### FEATURES

- Solid brass body
- Ceramic disc cartridge
- Color coded hot & cold supply lines
- Reversible mounting hardware adapts to thick or thin mounting surfaces
- 2.2 G.P.M. flow rate
- Installation in a 1-3/8" hole, side spray in a 1" hole

### CODE/STANDARDS COMPLIANCE

ASME A112.18.1M-2003  
 IAPMO Listed

### WARRANTY

Blanco America's Kitchen faucets feature a "NO HASSLE" LIMITED LIFETIME WARRANTY to be free of all manufacturing defects under normal use. See our complete warranty for details.

While Blanco America endeavors to provide accurate information, all dimensions are nominal, cannot be guaranteed, and are subject to change or cancellation. Blanco America assumes no responsibility for use of superseded or voided specifications.

### PRODUCT SPECIFICATION

Kitchen faucet to include lever handle with solid brass body and ceramic disc cartridge. Faucet dimensions to be as follows: Reach: 9-1/4"; Spout Height: 5-1/4". Hot and cold supply lines to be color coded. Side spray to be made from solid brass. Reversible mounting hardware to adapt to thick or thin mounting surfaces. Kitchen faucet to be BLANCOHARVEST™, Model 157-013-\_\_\_\_\_in\_\_\_\_\_finish.

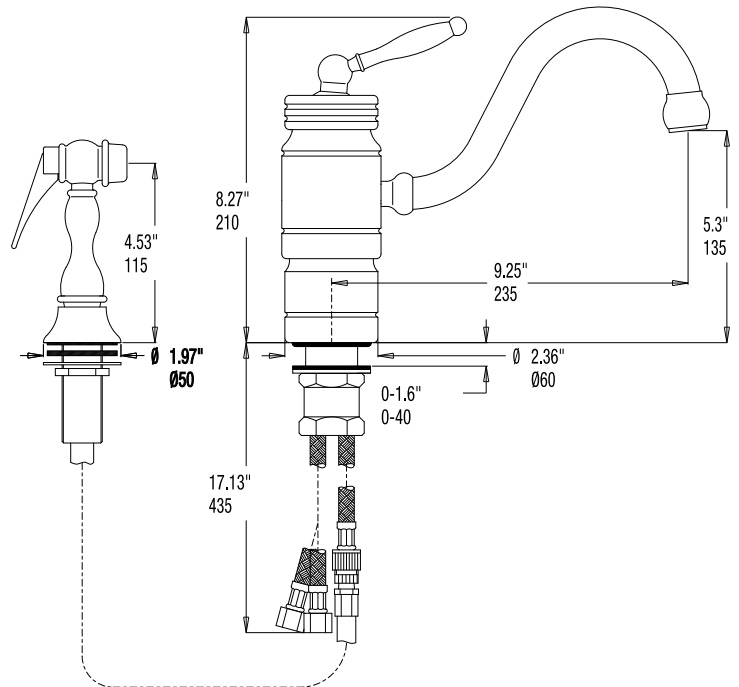
- Polished Chrome 157-013-CR
- Stainless (Satin Nickel) 157-013-ST



MODEL 157-013

### NOMINAL DIMENSIONS

MODEL	REACH	SPOUT HEIGHT	FAUCET HEIGHT
157-013	9-1/4"	5-1/4"	8-1/4"



See next page for exploded parts drawing and parts list.

### JOB INFORMATION

Job Name: \_\_\_\_\_

Contact: \_\_\_\_\_

Date Specified: \_\_\_\_\_

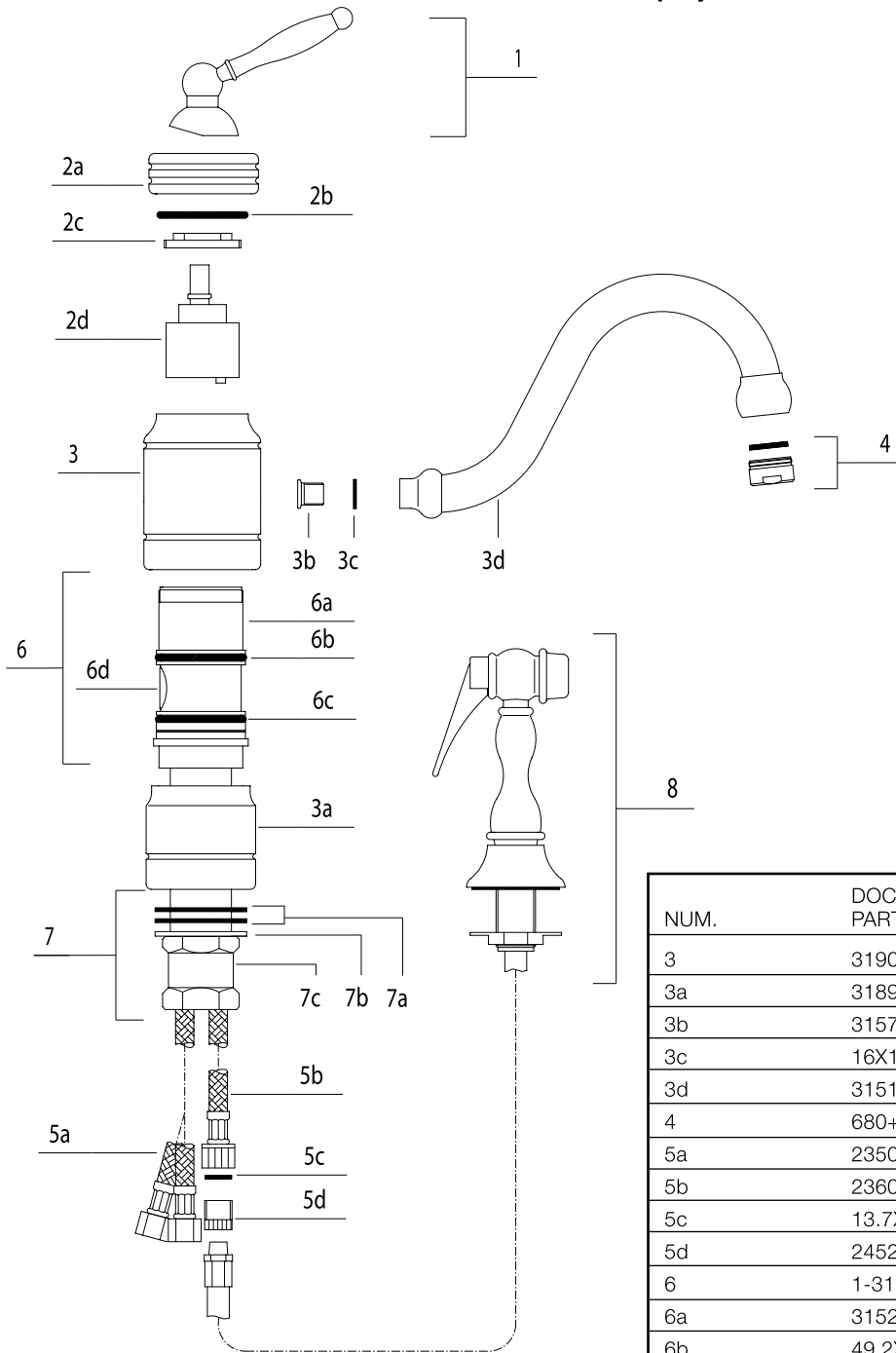
Specifier: \_\_\_\_\_

Contractor: \_\_\_\_\_

**BLANCO AMERICA**  
**800.451.5782**  
**www.blancoamerica.com**

### BLANCOHARVEST™ With Side Spray

### MODEL 157-013



NUM.	DOC. PART #	DESCRIPTION
1	1-3193	LEVER ASSY
2a	3192	CAP
2b	31.34X3.53	O'RING
2c	3160	NUT
2d	2408	CARTRIDGE

NUM.	DOC. PART #	DESCRIPTION
3	3190	BODY
3a	3189	BASE
3b	3157	NIPPLE
3c	16X12X.05	FIBER
3d	3151	SPOUT
4	680+682+683	AERATOR SET
5a	2350	HOSE
5b	2360	SUPPLY TUBE
5c	13.7X10X1.5	FIBER
5d	2452	NIPPLE
6	1-3152	INNER BODY ASSY
6a	3152	INNER BODY
6b	49.2X41.2X3.7	V'RING
6c	3.53X42.86	O'RING
6d	2453	DIVERTER
7	1-2359	MOUNTING NUT ASSY
7a	48X34X2	RUBBER WASHER
7b	2258	METAL WASHER
7c	2359	NUT
8	1-3170	HOSE AND SPRAY