

FEATURED MODEL

157-012-ST BLANCOHARVEST™ Kitchen Faucet in Stainless (Satin Nickel)

ADDITIONAL MODELS

157-012-CR Polished Chrome

FEATURES

- Solid brass body
- Ceramic disc cartridge
- Color coded hot & cold supply lines
- Reversible mounting hardware adapts to thick or thin mounting surfaces
- 2.2 G.P.M. flow rate
- Installation in a 1-3/8" hole

CODE/STANDARDS COMPLIANCE

ASME A112.18.1M-2003

IAPMO Listed

WARRANTY

Blanco America's Kitchen faucets feature a "NO HASSLE" LIMITED LIFETIME WARRANTY to be free of all manufacturing defects under normal use. See our complete warranty for details.

While Blanco America endeavors to provide accurate information, all dimensions are nominal, cannot be guaranteed, and are subject to change or cancellation. Blanco America assumes no responsibility for use of superseded or voided specifications.

PRODUCT SPECIFICATION

Kitchen faucet to include lever handle with solid brass body and ceramic disc cartridge. Faucet dimensions to be as follows: Reach: 9-1/4"; Spout Height: 5-1/4". Hot and cold supply lines to be color coded. Reversible mounting hardware to adapt to thick or thin mounting surfaces. Kitchen faucet to be BLANCOHARVEST™, Model 157-012-_____ in _____ finish.

Polished Chrome 157-012-CR

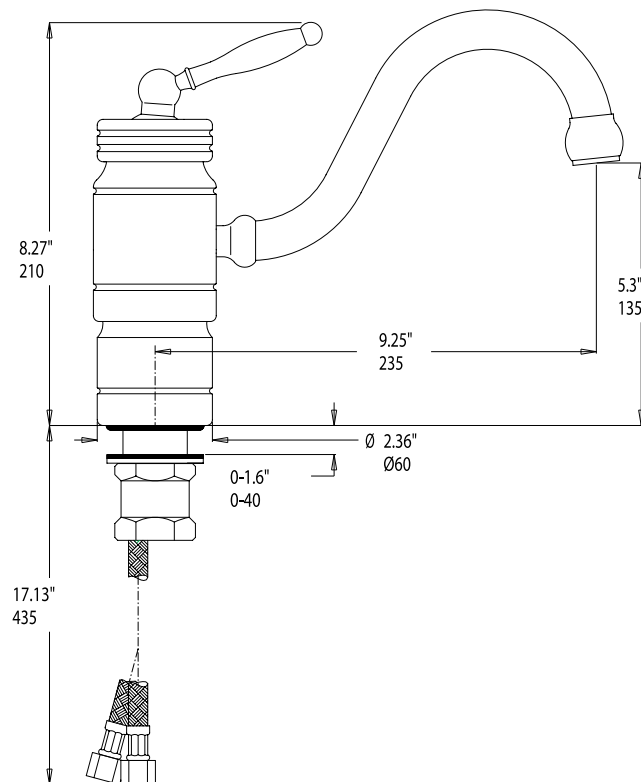
Stainless (Satin Nickel) 157-012-ST



MODEL 157-012

NOMINAL DIMENSIONS

MODEL	REACH	SPOUT HEIGHT	FAUCET HEIGHT
157-012	9-1/4	5-1/4	8-1/4



See next page for exploded parts drawing and parts list.

JOB INFORMATION

Job Name: _____

Contact: _____

Date Specified: _____

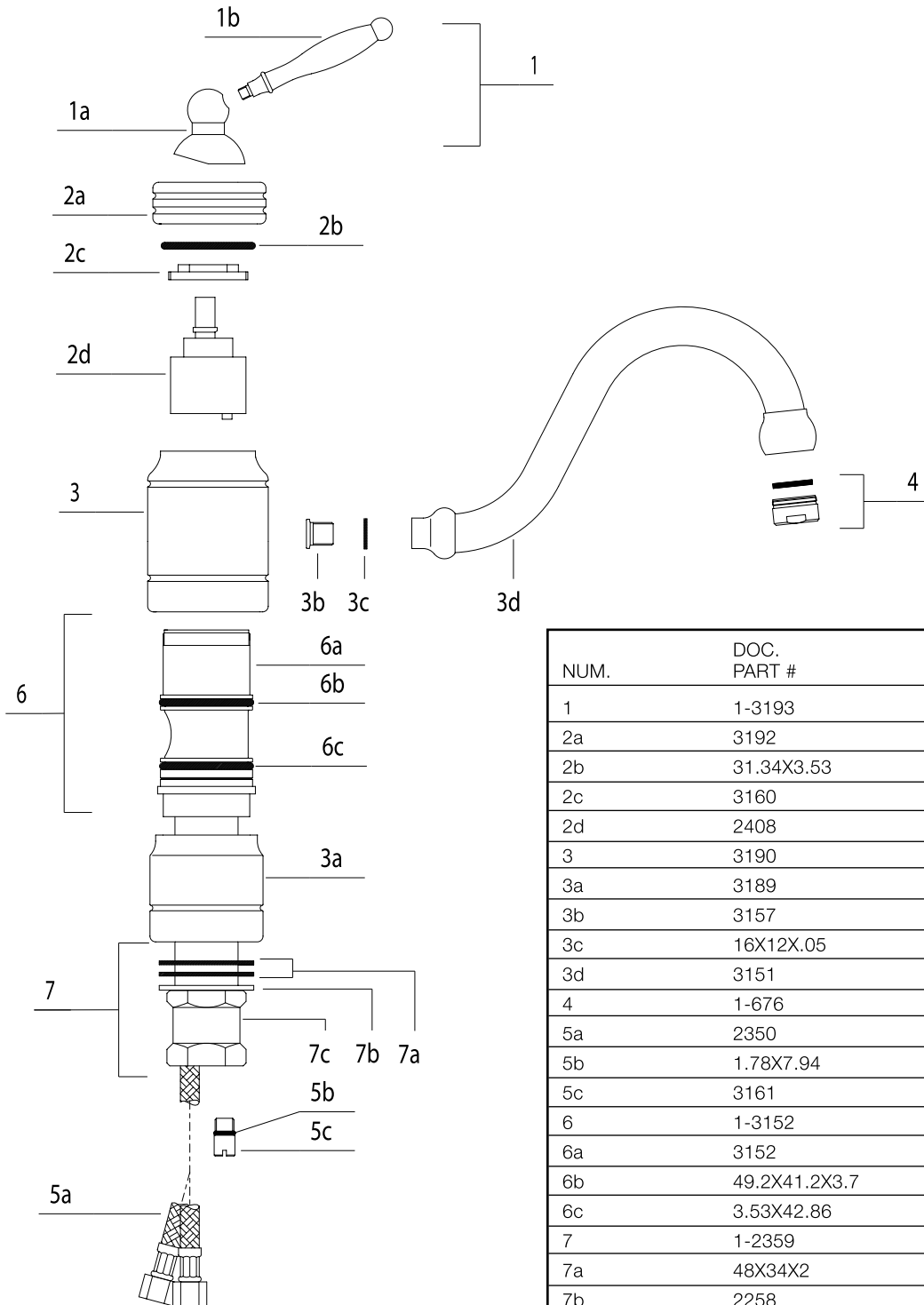
Specifier: _____

Contractor: _____

BLANCO AMERICA
800.451.5782
www.blancoamerica.com

BLANCOHARVEST™

MODEL 157-012



NUM.	DOC. PART #	DESCRIPTION
1	1-3193	LEVER ASSY
2a	3192	CAP
2b	31.34X3.53	O'RING
2c	3160	NUT
2d	2408	CARTRIDGE
3	3190	BODY
3a	3189	BASE
3b	3157	NIPPLE
3c	16X12X.05	FIBER
3d	3151	SPOUT
4	1-676	AERATOR SET
5a	2350	HOSE
5b	1.78X7.94	O'RING
5c	3161	PLUG
6	1-3152	INNER BODY ASSY
6a	3152	INNER BODY
6b	49.2X41.2X3.7	V'RING
6c	3.53X42.86	O'RING
7	1-2359	MOUNTING NUT ASSY
7a	48X34X2	RUBBER WASHER
7b	2258	METAL WASHER
7c	2359	NUT