

KENYON[®]

USER'S GUIDE

for

**Lite-Touch™
Touch Control
Aurora and Sunrise
Ceramic Glass Cooktops
(MODELS B42101 & B42001)**

KENYON[®]

P.O. Box 925
#8 Heritage Park Road
Clinton, CT 06413 USA
Phone: (860) 664-4906
Fax: (860) 664-4907

Revision: 11.17.05

Part # 143142

//MRPSERVER/KENYON ENGINEERING/MANUALS/SUNRISE

**PLEASE READ THESE
INSTRUCTIONS IN THEIR
ENTIRETY BEFORE
INSTALLATION AND USE OF
APPLIANCE**

**DO NOT THROW
THIS MANUAL AWAY!
SAVE FOR FUTURE
REFERENCE**

User's Guide & Care

Contents

	Page
Safety Instructions.....	4
Touch Control Cooking	
Control Graphics.....	6
Switching On An Element(s).....	6
Heat Settings.....	8
Turning Off Elements.....	8
Elements & Wattages.....	9
Dual Wattage Elements.....	9
Cook Top Features	
Residual Heat Indicators.....	10
Ceramic Glass.....	11
Lock-Out Feature.....	11
Heat Boost.....	12
Getting The Most Out Of Your Cook Top	
Cookware.....	13
Cleaning.....	14
Warranty Information.....	15

USER'S GUIDE & CARE

SAFETY

Read this section BEFORE operating the cook top. The following information applies to all Kenyon ceramic electric cook tops.

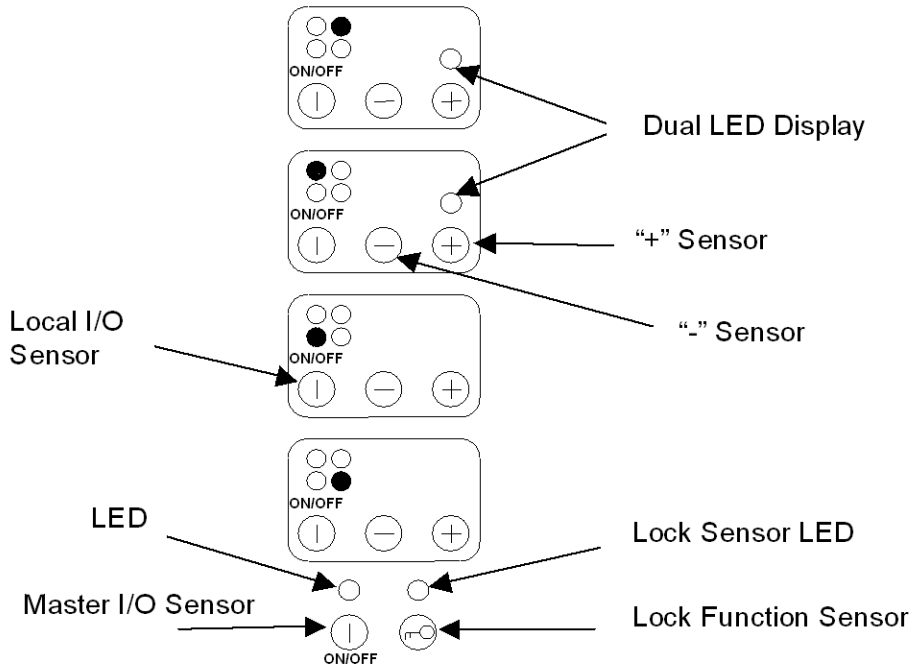
PLEASE READ THIS ENTIRE MANUAL THOROUGHLY BEFORE OPERATING YOUR KENYON COOK TOP. This cook top, like all appliances, has the potential to create safety problems through careless or improper use. Please observe all of the following safety precautions.

- **Proper Installation**
Be sure your appliance is properly installed and grounded by a qualified technician.
- **Never use your appliance for warming or heating the room**
- **Do not leave children alone.**
Children should never be left alone or unattended in any area where the appliance is in use. They should never be allowed to sit or stand on any part of the appliance. Do not store items of interest to a child in cabinets above the cook top or on the backsplash of the counter. Children climbing on the range to reach items could be seriously injured.
- **Wear proper clothing/apparel.**
Loose-fitting or hanging garments should never be worn while using the appliance.
- **User Servicing**
Do not repair or replace any part of the appliance. If service ever becomes necessary, this appliance should be serviced by **AUTHORIZED PERSONNEL ONLY**. Contact **KENYON Customer Care at (860) 664-4906** or via e-mail : **customer care@kenyonappliances.com**. You may also contact your KENYON dealer.
- **Keep flammable materials away from the cook top.**
- **Do not store plastic material (such as plastic utensils) in storage areas beneath the cook top.**
Plastic items with low melting temperatures should not be stored under/over or near the cook top.

- **Do not use water on grease fires.**
Smother fire or flame or use dry chemical or foam-type extinguisher.
- **Use only dry potholders.**
Moist or damp potholders on hot surfaces may result in burns from steam. Do not let potholder touch the heating elements. Do not use a towel or other bulky cloth in place of a potholder.
- **Do not cook on a broken cook top.**
If the cook top should break, cleaning solutions and spillovers may penetrate the broken cook top and create a risk of electric shock. Contact KENYON Customer Care immediately at (860) 664-4906 or your authorized KENYON APPLIANCES dealer.
- **Clean cook top with caution**
If a wet sponge or cloth is used to wipe spills on a hot cooking area, be careful to avoid steam burns. Some cleaners produce noxious fumes if applied to a hot surface. Read the cleaner label for details prior to using.
- ***DO NOT TOUCH HEATING ELEMENTS***
The heating elements on the cook top may be hot even if they are dark in color. These areas may be hot enough to cause burns. Never touch heating elements until they have had sufficient time to cool. Likewise, never allow clothing or flammable materials to come in contact with heating elements or cook top surfaces until they have had sufficient time to cool. Other surfaces of the appliance may become hot enough to cause burns.
- **Use proper pan size.**
This appliance is equipped with one or more surface units of different size. Select utensils having flat bottoms large enough to cover the surface unit heating element. The use of undersized utensils will expose a portion of the heating element to direct contact and may result in ignition of clothing. Proper relationship of utensil to burner will also improve efficiency.
- **Never leave surface units unattended at high heat settings.**
Boil over causes smoking and greasy spillovers that may ignite.
- **Utensil handles should be turned inward and not extend over adjacent surface units.**
To reduce the risk of burns, ignition of flammable materials, and spillage due to unintentional contact with the utensil, the utensil handle should always be turned so that it is positioned inward, and does not extend over adjacent surface units.
- **Glazed cooking utensils**
Only certain types of glass, glass/ceramic, earthenware, and other glazed utensils are suitable for range-top service without breaking due to the sudden change in temperature.

Lite-Touch™ COOKING

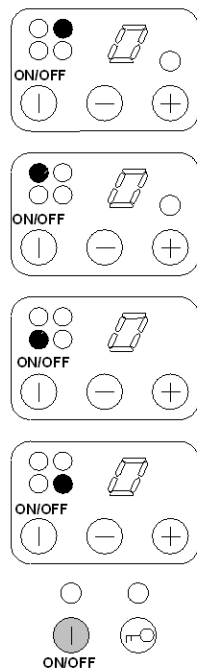
Control Graphics



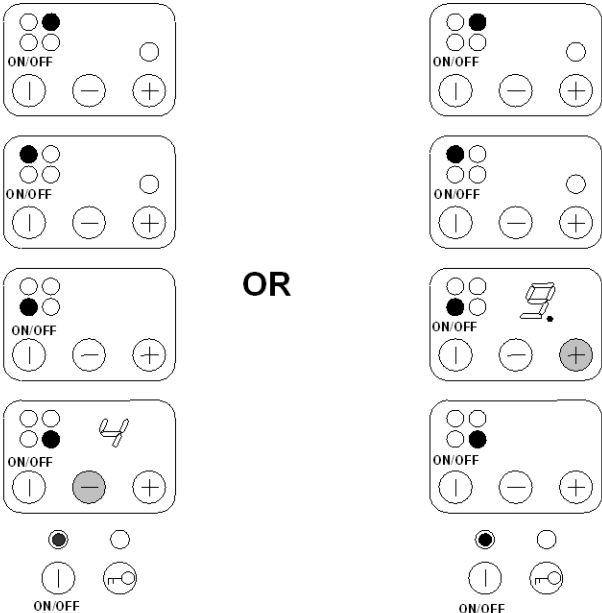
Once power is applied to the cook top, the cook top control will calibrate itself. Once calibrated, the control will sit in stand-by mode until the Master I/O sensor is activated.

Switching on Element(s)

To operate the cook top, activate the Master I/O Sensor: A zero (0) will be displayed for 10 seconds for each heat zone control:

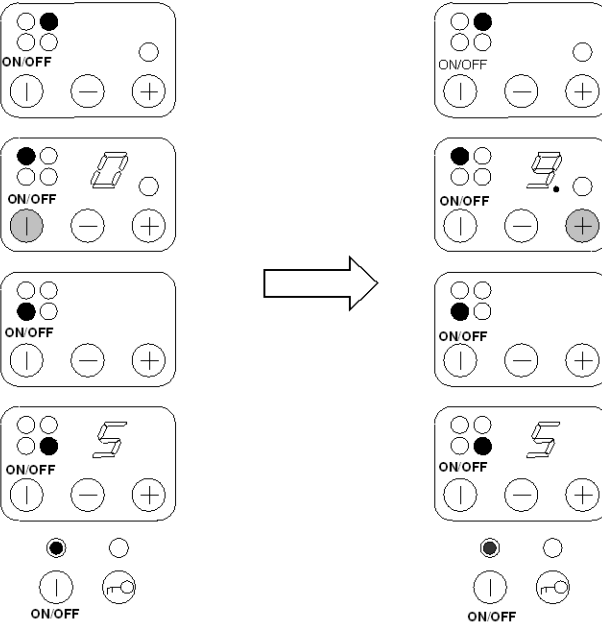


Within this ten second period, to activate an element touch either the (+) sensor or (-) sensor as shown:



If a (-) minus sensor is touched, the control will switch the element “On” to the intermediate setting (4). If the (+) sensor is touched the control will switch the element “On” to full power setting (9). The LED above the Master I/O sensor will be illuminated. As soon as one element is activated, (0) from the remaining displays will disappear. If no selection is made within 10 seconds, the controller will switch itself to stand by mode. (No Display)

If at least one element is “On”, any of the other “Off” elements can be activated by touching the Local I/O sensor for the desired element. A (0) will be displayed for ten seconds. Within this ten second period touching the (+) sensor or (-) sensor will activate the corresponding element and setting number will appear. If the (+) or (-) sensor is not chosen within 10 seconds, the heat zone control will switch off. (No Display)

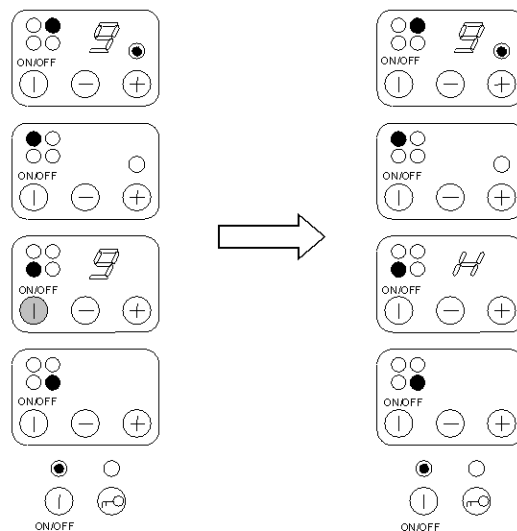


Heat Settings

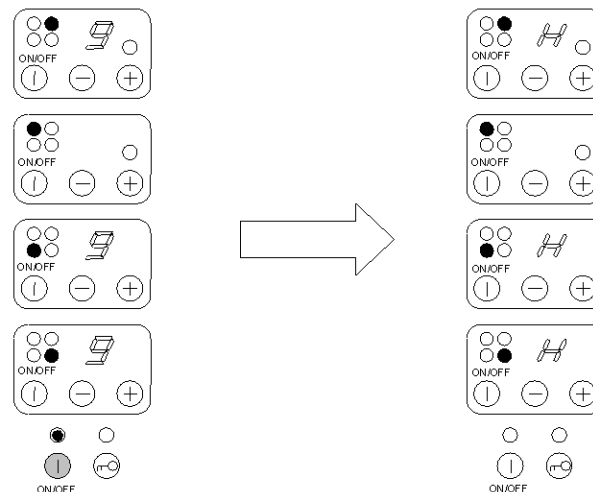
The Kenyon Lite-Touch™ cook top has 9 different heat settings. The heat setting for each element is displayed above the graphics control sensors. Your Kenyon Lite-Touch™ ceramic glass cook top operates by cycling the heating elements between “Off” (0) and full power (9) automatically. As the number setting is increased using the (+) sensor, the radiant element will stay on at full power for longer periods of time. As the number settings are decreased using the (-) sensor, the burner element will stay “On” for shorter periods of time.

Turning “Off” Elements

One touch is required to turn off any radiant element. Elements can be turned off individually or all at once. To turn off an individual element, simply touch the corresponding Local I/O (marked ON/OFF) sensor. Upon doing so, the element will be turned off and an “H” will be displayed in the control area indicating that the surface unit area is hot. (See Residual Heat Indicators):

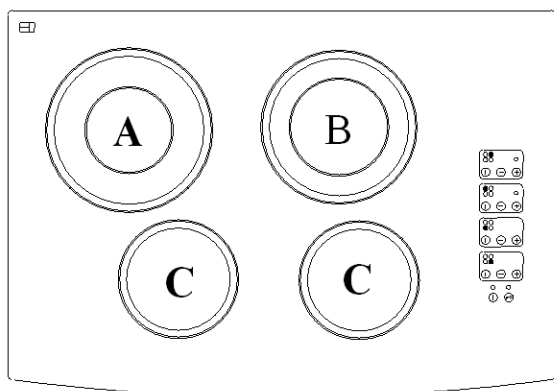


To turn off all elements that are on at once, touch the Master I/O sensor once. This will deactivate all elements that were “On”. An “H” will be displayed in the control area indicating that the surface unit areas are hot. (See Residual Heat Indicators):



Elements and Wattages:

Kenyon Lite-Touch™ Cook tops are equipped with the following radiant ribbon elements burners which once activated will “light” up in approximately 4-5 seconds:



Sunrise Model Shown

	Element Type	Wattage	Element Size/ Recommended Pot Size
A	Dual Wattage Ribbon	2200/750	9”/ 5”
B	Dual Wattage Ribbon	1900/800	8”/ 4 ½”
C	Ribbon	1200	6 ½”

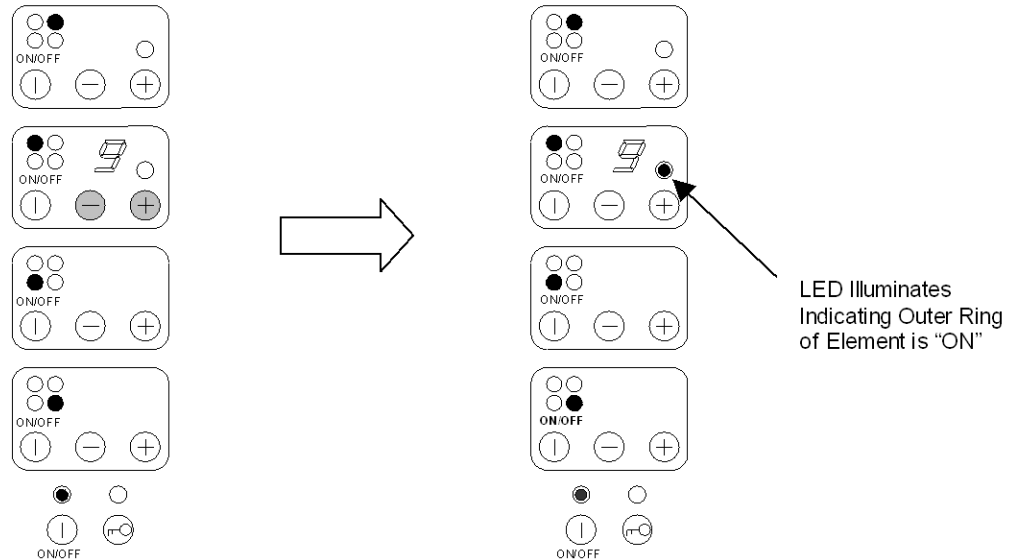
Note: Aurora Model has same element configuration

The special design of these elements directs the heat up through the ceramic glass providing efficient cooking. Temperature limiters are included in each element to ensure that the safe operating temperature of the ceramic glass top is not exceeded. The temperature limiter will cycle the radiant element off to prevent exceeding the maximum surface temperature of the glass.

Dual Element:

Kenyon Lite-Touch™ cook tops are equipped with two dual wattage ribbon elements.

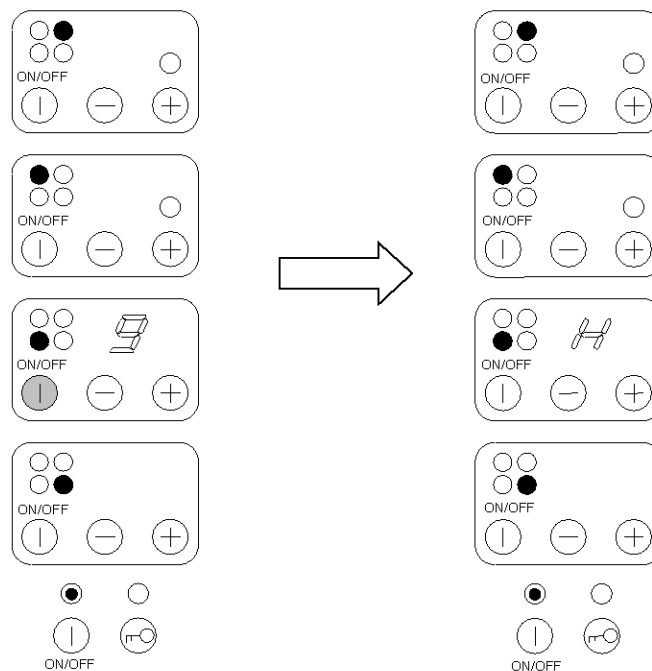
A dual wattage element gives a user more options when cooking. A dual wattage element consists of two individual element heat zones, an inner zone and an outer zone. The inner zone is a low wattage zone and the outer zone is a high wattage zone. Kenyon Lite-Touch™ allows the option of setting low heat levels using only the inner zone portion of the element, and it also allows the option of selecting high heat levels using both inner and outer zones of the element at the same time. The inner circle of any dual element is activated the same way you activate other single zone elements. To activate the outer ring of the dual element just touch the (+) and (-) sensor at the same time. An LED will be displayed indicating that outer ring of the element is on:



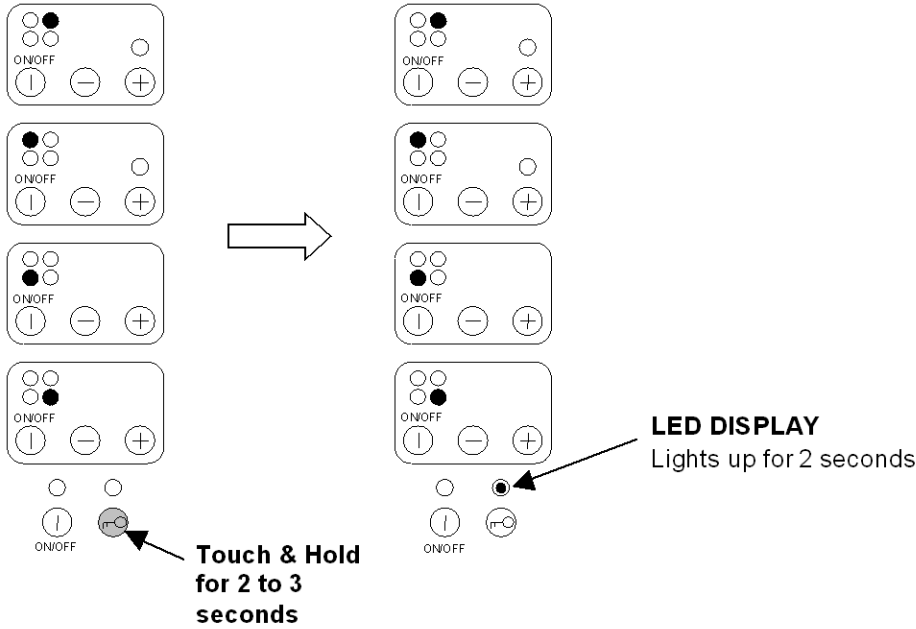
To turn off the outer ring of any dual element, repeat the above procedure by touching the (+) and (-) sensor at the same time.

COOK TOP FEATURES

- Residual Heat Indicators-** Your Kenyon Lite-Touch™ cook top features residual heat indicators. When an element is switched off an “H” appears on the display to indicate that the element and surrounding glass surface is still hot. Based on the heat setting and the total time the element was on, the controller will display an “H” for the relevant element (see figure below) until the cooking surface has cooled. Once the cooking area has had sufficient time to cool, the “H” will turn off and not be displayed.



- **Ceramic Glass** - Kenyon ceramic glass cook tops feature attractive styling and an easy-to-use surface that stays clean and looking like new with very little maintenance. The cooking surface areas on your Kenyon ceramic glass cook-top are identified by permanent patterns in the cook top.
- **Lock-out Feature**- Your Kenyon Lite-Touch™ cook top has a lock-out mode feature. This feature prevents the cook top from being switched on by accident (or by a child). To switch the cook top into lock-out mode **touch and hold** the sensor with the **key** graphic for about 2-3 seconds. Lock-out mode activation is indicated with a buzzer sound along with LED display indication above the lock-out sensor:

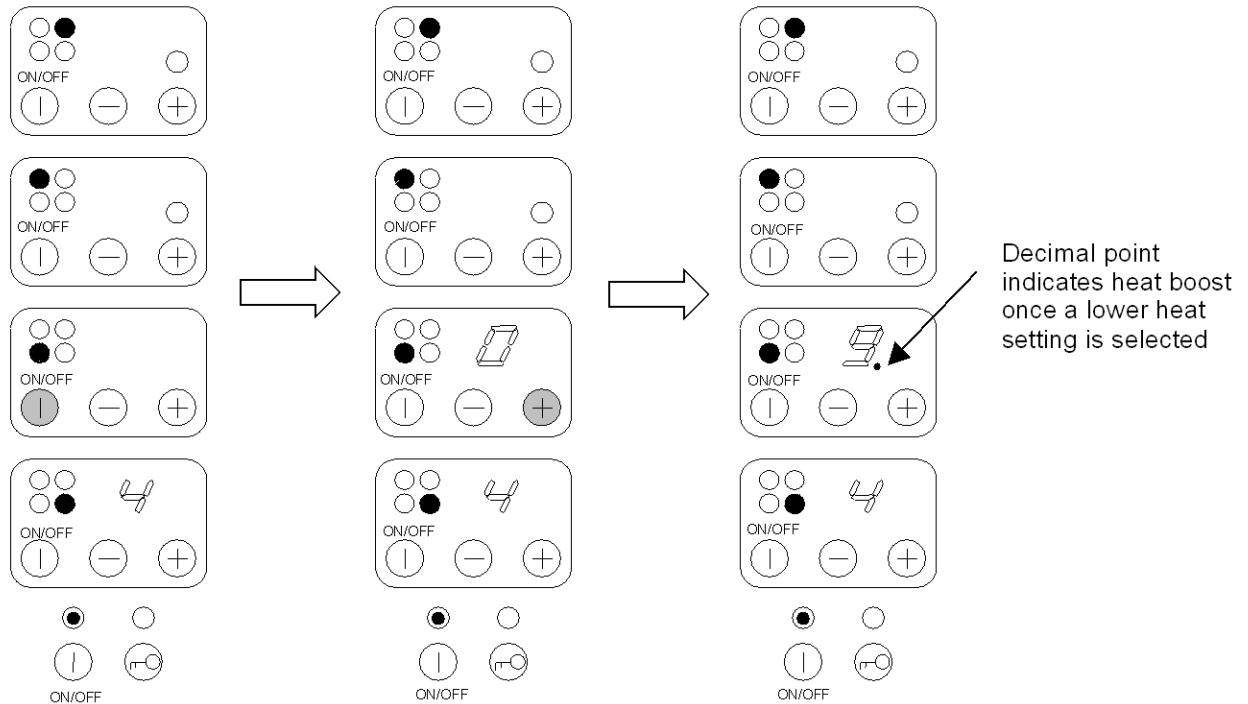


If an attempt is made to turn on or activate any of the sensors while the cook top is in lock-out mode, the controller will illuminate the LED above the lock sensor for two seconds along with providing an audible warning tone to signal that the cook top is in lock-out mode. It is not possible to activate any of the cook top elements while the control is in lock-out mode. However it is possible to set the lock-out mode while elements are on. All elements can still be switched off simultaneously by touching the Master I/O sensor or individually by touching the appropriate Local I/O sensor.

To switch the cook top out of lock-out mode just **touch and hold** the lock sensor for 2 to 3 seconds. The lock-out LED will display for 2 seconds and an audible tone will be heard indicating the lock-out mode has been deactivated.

Note: If the power supply to the cook top is disconnected while in lock-out mode, the lock-out mode will be deactivated automatically.

- Heat Boost-** Heat boost is a feature that is useful when cooking at lower to mid settings. Heat boost switches the elements to maximum power for a certain period of time depending on the numeric setting. This allows heat to transfer to the cookware when an element has first been activated. To activate the heat boost, start an element by selecting and turning on the element by touch using the (+) sensor. Next to the numeric display (9), a decimal point will appear. This decimal point will remain illuminated at setting (9) for ten seconds. This decimal point is shown in the figure below:



Now within this 10 second period while the decimal point is displayed, touch & hold the (-) sensor to select a lower heat setting. The heat boost is now activated. Depending on the setting, the burner will stay “on” at full power for a certain period of time before cycling. The decimal point will remain displayed indicating that heat boost is activated. If no lower heat setting (0 through 8) within the 10 second time frame is selected, the decimal point will not be displayed. This indicates that the heat boost is not active.

If heat boost is not required during initial cooking start-up, the heat setting when activating the element should be selected using the (-) sensor. The intermediate heat setting will appear on the display. Adjust the heat element setting accordingly.

A table of heat boost times is shown on the following page for your convenience:

Setting	Heat Boost Time (min) approx.
1	1.5
2	3
3	4
4	5.5
5	7
6	1.5
7	3
8	3
9	0 (element at full power)

GETTING THE MOST OUT OF YOUR COOKTOP

Cookware:

Your existing cookware will most likely work fine with your new Kenyon ceramic glass cook top. Cooking on ceramic glass does not require special pots or pans. Since cookware and utensils play an important part in cooking efficiency, keep in mind the following information when making your cookware selection.

The cookware should have a flat bottom. And although glass and other types of cookware can be used, metal cookware with thick smooth flat bottoms will generally conduct the heat well. Aluminum and stainless steel cookware usually work the best. Avoid cookware with shaped and rounded bottoms as well as utensils that warp when heated.

Use cookware of the correct diameter only. The base of the pot or pan should be about as wide as the cooking zone on which it is used - not much wider or narrower. By using cookware with the correct diameter, you should achieve maximum heating efficiency with the shortest possible boiling times.

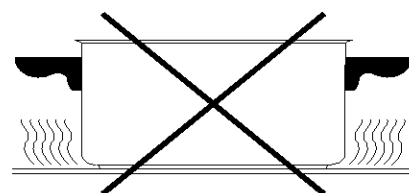
Be sure that both the cook top panel and the bottom of your pots and pans are clean and dry before use. By doing so, you will help prevent scratches and stains on the glass cooking surface.

CORRECT



Diameter of Cookware that matches the radiant heating element

WRONG



Cookware too small or too large for radiant heating element

Lift up saucepans; refrain from pulling them across the cook top as this can lead to superficial scratches. Also, avoid peeling vegetables over the cook top as this could lead to grit on the glass surface with subsequent scratching.

Cleaning

To help ensure that your new Kenyon cook top stays clean, follow these easy-care tips:

Clean the cook top before you use it for the first time.

A thorough cleaning with the supplied cook top cleaner (***Cerama Bryte Ceramic Cook Top Cleaner***) will get your new cook top off to a good start. It takes just a minute and puts a clean shiny coating on the ceramic glass before its initial use.

Always remove food spills, grease splatters and metal rub-off from cookware and carefully use a razor blade scraper to remove all spill-overs.

Clean the cook top with a paper towel or a clean soft cloth and a recommended cleaner. After cleaning always wipe the cook top with a clean, damp cloth to avoid cooked-on cleaner residue. Then wipe it dry.

Do not use your dishtowel or sponge to wipe off the cook top. This may leave a film of detergent or other matter that can cause discoloration the next time the cook top is heated.

Avoid abrasive scouring cleaners of any kind. Also avoid using plastic, nylon or metal cleaning pads. They may scratch or melt onto the cook top.

Avoid chemical cleaners such as chlorine bleach, ammonia, hydrofluoric acid or chemical oven cleaners. They may etch or discolor the surface.

Do not let anything that melts - such as plastics, aluminum foil, sugar, etc. - come into contact with the cook top surface when it is hot. Should something melt onto the surface, *immediately* move it to a cool area of your cook top with a razor blade scraper, and then remove it from the cook top as soon as possible.

BEFORE ATTEMPTING TO CLEAN THE GLASS CERAMIC PANEL, BE SURE THAT ALL RESIDUAL HEAT INDICATORS ARE OFF AND THAT THE COOK-TOP SURFACE IS COOL.

DURING CLEANING IT MAY BE A GOOD IDEA TO ACTIVATE THE LOCK MODE (SEE LOCK MODE SECTION) TO PREVENT ACCIDENTAL ACTIVATION.

Warranty

KENYON International (the “Company”) warrants its products in normal usage to be free of defects in materials and workmanship subject to the conditions and limitations below. Any part that proves to be defective in normal usage during the warranty period will be repaired or replaced by the Company.

This warranty covers only glass ceramic cook tops and is subject to the following conditions and limitations:

1. The Company’s liability shall be limited to repair or replacement (choice of remedy at the Company’s option) of goods or parts as may be defective in materials or workmanship. This liability is limited to three years from the date of original installation; this warranty covers labor and parts.
2. Determination of suitability of the product for the use contemplated by the buyer is the sole responsibility of the buyer and the Company shall have no responsibility in connection with such suitability.
3. The Company shall not be liable for any damage resulting from:
 - failures due to use of the products in applications for which they are not intended
 - failures due to corrosion, wear and tear, abuse or improper installation or maintenance
4. The Company shall be responsible for ground shipping charges to the location of the appliance (home) within the continental United States and Canada. Any other or express or special shipping charges are at the expense of the buyer.
5. All labor allowed by the Company under this warranty must be performed by an authorized Kenyon International service center, unless otherwise specified in writing by the Company.

THERE ARE NO OTHER WARRANTIES OF MERCHANTABILITY, FITNESS FOR PURPOSE OR ANY OTHER KIND, EXPRESSED OR IMPLIED AND NONE SHALL BE IMPLIED BY LAW. The duration of any such warranties that are nevertheless implied by law for the benefit of a consumer shall be limited to a period of three years from original purchase. Some countries do not allow limitations on how long an implied warranty lasts, so this limitation may not apply to you.

THE COMPANY SHALL NOT BE LIABLE FOR CONSEQUENTIAL OR INCIDENTAL DAMAGES ARISING FROM THE BRACH OF THIS WARRANTY, WHETHER EXPRESSED, IMPLIED OR STATUTORY. Some countries or states do not allow exclusion or limitation of coincidental or incidental damages so this limitation or exclusion may not apply to you.

THIS WARRANTY GIVES YOU SPECIFIC LEGAL RIGHTS AND YOU MAY ALSO HAVE OTHER LEGAL RIGHTS WHICH MAY VARY FROM COUNTRY TO COUNTRY AND STATE TO STATE.

Kenyon International, Inc.
P.O. Box 925 · 8 Heritage Park Road · Clinton, CT 066413 USA
Phone (860) 664-4906 FAX: (860) 664-4907
Email: customercare@kenyonappliances.com

Effective date January 1, 2005