

KENYON[®]

INSTALLATION INSTRUCTIONS

for

**Lite-Touch[™]
Touch Control
Aurora and Sunrise
Ceramic Glass Cook tops
(Models B42101 & B42001)**

Thank you for purchasing a Kenyon Lite-Touch™ ceramic glass cook top. Kenyon ceramic glass cook tops feature attractive styling and clear digital displays. Clean-up of the cook top is elegantly simple and is designed to keep your cook top looking new for years to come with very little maintenance. These cook tops are designed for recess countertop installation.

Installation Instructions for Kenyon Ceramic Glass Cook Tops



Important- Save these instructions for the local electrical inspector's use. Proper installation- Be sure your appliance is properly installed and grounded by a qualified technician. Please read these instructions in their entirety before installation and operation of cook top.

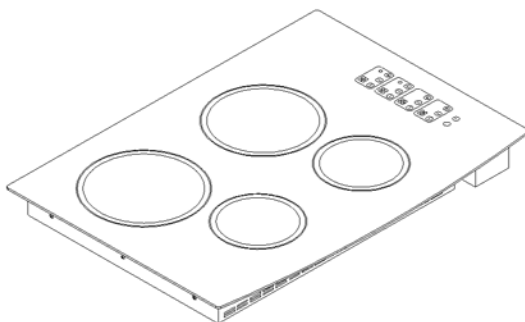
Step # 1- Unpacking Your New Kenyon Cook Top:

Carefully unpack your Kenyon cook top from its shipping container. Do not discard shipping carton or protective foam, it may be useful if your unit ever needs to be serviced.

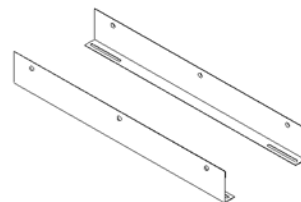
Verify and identify package contents. The following items should be included in carton:

- 1- Ceramic Glass Cook Top
- 1- Glass Cleaner
- 2- Mounting Brackets (Long & Short)

- 1- Cutout Template
- 1- Package of Mounting Screws
- 1- User's Guide



Ceramic Glass Cook Top



Mounting Brackets



Glass Cleaner



Screws/Hardware

If any components are missing or damaged, please contact the factory.



Important: Do not remove clear plastic covering film on ceramic glass until cook top is ready to install

PLEASE RECORD YOUR COOK TOP SERIAL # HERE FOR FUTURE REFERENCE:

Step # 2- Check Your Electrical Supply Requirements:

This product must be installed in accordance with national electric codes, as well as state and local codes. The following table provides the correct voltage, amperage, and frequency that must be supplied to the appliance.

Kenyon Part #	Model	Max Connected Load	Required Power Supply Input	Minimum Wire Size
B42001	Sunrise Bow	6500 Watts	240 VAC/30A/60Hz	#10 AWG
B42101	Mediterranean	6500 Watts	240 VAC/30A/60Hz	#10 AWG

The supply must be from an individual grounded circuit that is protected by a circuit breaker rated per the specifications for the various models as shown in the table above.



Warning: If the electric power supply provided does not meet the product specifications, call a licensed electrician before proceeding with the installation.

Step # 3- Counter Top Preparation:

Please read this section carefully prior to making the counter cutout. It is important to plan out your cook top installation thoroughly in advance. The following dimensions and distances for proper clearance should be strictly adhered to for safe operation of the cook top.

Refer to cabinet/counter Figure A below:

A- 13 inches maximum depth of overhead cabinets

- B- 36 inches minimum height of counter-top above floor
- C- The minimum flat counter-top surface that the cook top will rest upon must be equal to or greater than the overall cook top dimension (Please refer to the following page for overall dimensions along with cut-out dimensions)
- D- 30 inches minimum clearance between the top of the cooking surface and the bottom of an unprotected wood or metal cabinet, or 24 inches minimum when the bottom of wood or metal cabinet is protected by not less than ¼ inch thick flame retardant mill board covered with not less than No. 28 MSG sheet steel, 0.015-inch-thick stainless steel, 0.024-inch-thick aluminum, or 0.020-inch-thick-copper
- E- 1 inch minimum from back-splash of counter-top to edge of glass. (Refer to following page for overall cook top dimensions)

FOR INSTALLATIONS IN CANADA: “Do Not Install Closer Than ½ Inch (12 mm) From Any Adjacent Surface”, and NE PAS INSTALLER A’MDINS DE 12 mm DETOUTE SURFACE ADJACENTE.



Warning: To eliminate the risk of burns or fire by reaching over heated surface units, cabinet storage space located above surface units should be avoided. If cabinet storage is to be provided, the risk can be reduced by installing a range hood that projects horizontally a minimum of 5 inches beyond the bottom of the cabinets.

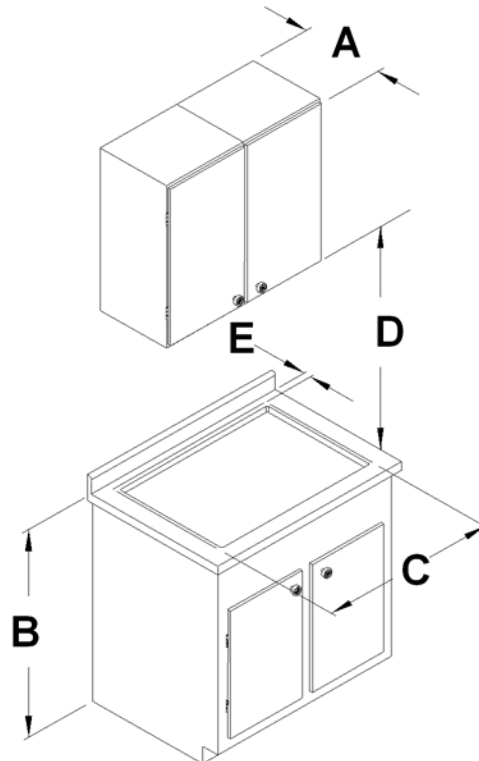


Figure A

Before making the counter-top cutout, check for clearance. Check to see if the cook top will clear the front and side walls of the base cabinet. It is also important to provide enough ventilation. Adequate ventilation of the space below the counter top must be provided to ensure proper operation of the cook top. Heat transferred from the cook top bottom pan during operation will overheat an improperly ventilated area.

Allow a 2 inch minimum clearance between the bottom of the metal pan of the cook top and any combustible surface located below (for example: the upper edge of a drawer installed below the cook top). (See Figure B below) Failure to provide proper clearances and ventilation may result in a fire hazard.

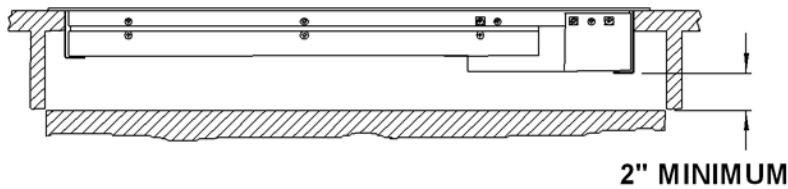
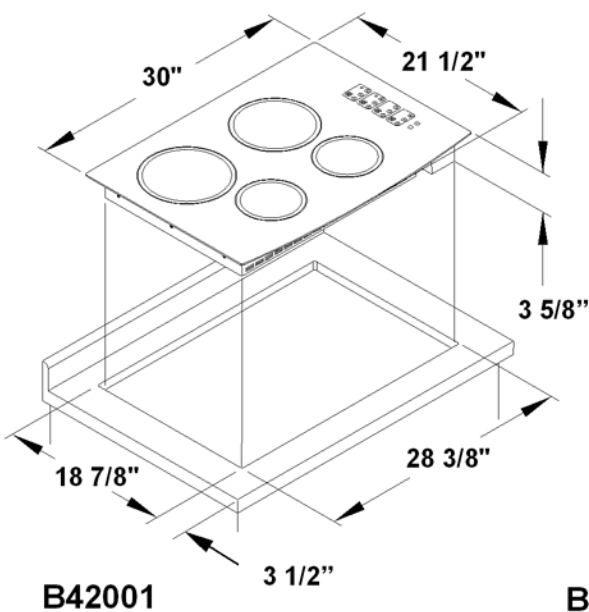


FIGURE B

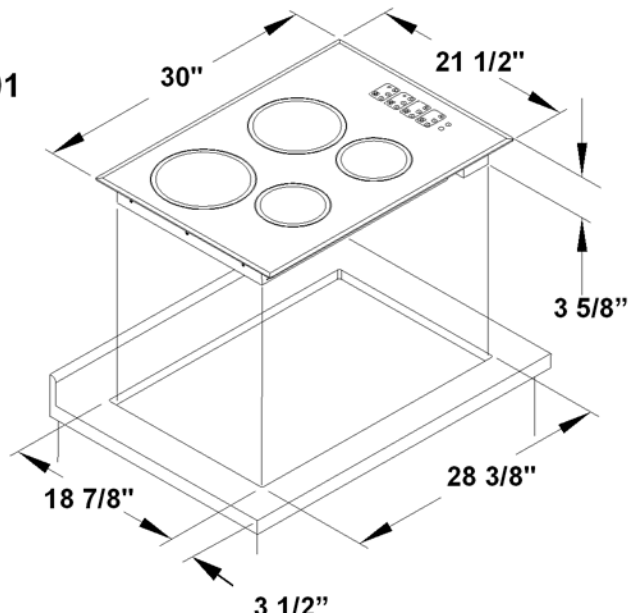
Cook top dimensions along with counter-top cutout dimensions are shown below for each model. Please use the cutout template which has been provided for assistance.



NOTE:

When installation occurs where a counter top is laminated (Formica[®]) or synthetic (Corian[®] etc.) **radius** the corner of the cut-out (1/4" radius is typical). This will prevent cracking of your counter-top. Follow the counter-top manufacturer's instructions regarding the minimum corner radius and reinforcement corners. Use cutout template for layout.

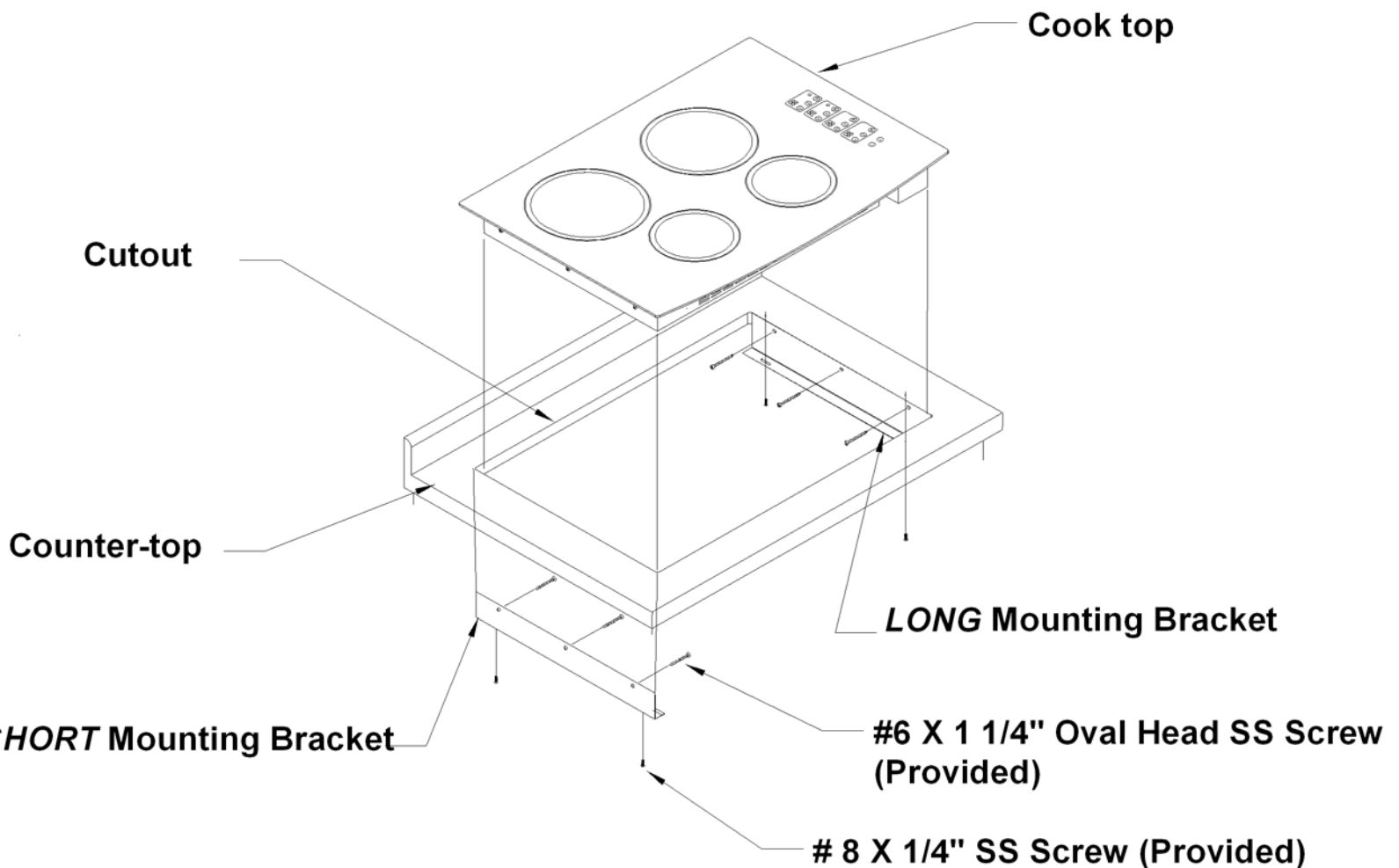
B42101



Step # 4- Installing the Cook Top:

Your Kenyon ceramic glass cook top is supplied with two mounting brackets (1 short mounting bracket along with 1 long mounting bracket). These brackets are designed to hold your cook top firmly in place. The cook top does not have a metal frame and should be bedded to the counter-top using a soft bedding compound that will allow later removal without damage, should service be necessary. We recommend a **very small** bead of silicone sealant.

Attach the two mounting brackets supplied with your Kenyon cook top, as shown to the inside vertical surface of the cutout. The long bracket should be mounted to the right side of cook top (control side). Center the brackets in the opening, flush with the counter-top, and secure with long self tapping screws that are provided. Position the cook top in the cutout opening and press firmly on all sides to seal the frame into the bedding compound. Secure the cook top to the brackets from underneath with the small sheet metal screws that are supplied. **BE CAREFUL NOT TO OVER TIGHTEN THE SCREWS.**



Step # 5- Electrical Connection:

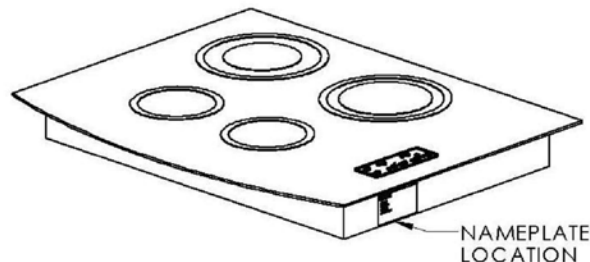
Before proceeding further verify that the power supply is disconnected. Verify that the appropriate electrical supply requirements have been met. Please refer to the table on page 3 (Step #2) for appropriate electrical requirements. Your Kenyon cook top is supplied with a 36 inch long wire conduit for a connection to an accessible junction box. The conduit consists of three insulated wires- 48 inches long. The hot lead conductors (both **tinned copper**) are red and black insulated wires. The insulated ground conductor is green. (also **tinned copper**).

Attach conductor wires to residence wiring in accordance with National Electric Codes, state, municipal and local codes.



WARNING: GROUNDING

The entire appliance must be grounded at all times when the electrical power supply is on. Do not ground the appliance with the neutral house supply wire (white). A separate ground **must** be used.



Step # 6- Final Preparations/Prior to Use:

Clean your new Kenyon cook top before using for the first time. A thorough cleaning with the supplied cook top cleaner (**Cerama Bryte Cook Top Cleaner**) will get your new cook top off to a good start. It takes just a minute and puts a clean, shiny coating on the ceramic glass before its initial use.

Please read the User's Guide for important information on use and care of your new Kenyon cook top. It will provide you with safety, general use, features, and warranty information.

**DO NOT THROW THESE INSTRUCTIONS
AWAY. SAVE FOR FUTURE
REFERENCE**

**SAVE FOR THE LOCAL ELECTRICAL
INSPECTOR'S USE**