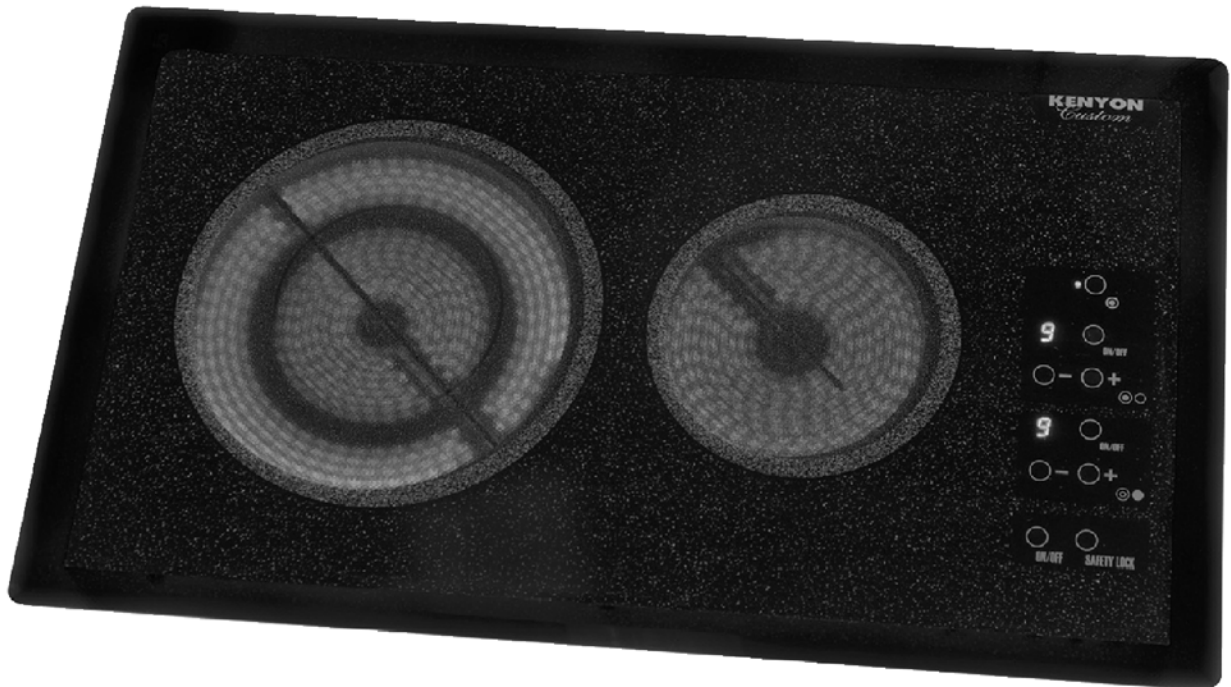

INSTALLATION GUIDE & OPERATION MANUAL



Lite-Touch™ Touch Control **Horizon** *2 Burner Ceramic Glass Cook Top*

KENYON INTERNATIONAL

P.O. Box 925
8 Heritage Park Road
Clinton, CT 06413 USA
Phone: (860) 664 - 4906
FAX: (860) 664 - 4907
Website: www.kenyonappliances.com

Part # 143295

revised 09/28/06

//DC-1/engineering/manuals/2btcul/143295_A.pdf

**PLEASE READ THESE
INSTRUCTIONS IN
THEIR ENTIRETY BEFORE
INSTALLATION AND USE
OF APPLIANCE.**

**DO NOT DISCARD
THIS MANUAL!
SAVE FOR FUTURE
REFERENCE.**

Contents

	Page
Product Specifications.....	1
INSTALLATION	
Package Contents.....	2
Electrical Requirements.....	3
Counter top Preparation.....	4
Installing Cook top.....	5
Getting The Most Out Of Your Cook Top	
Cookware.....	9
Cleaning.....	9
TOUCH CONTROL COOKING	
Control Graphics.....	10
Switching On A Burner.....	12
Heat Settings.....	12
Turning Off A Burner.....	12
Dual Zone burners.....	12
COOK TOP FEATURES	
Residual Heat Indicator.....	14
Safety Lock-out	14
Warranty Information.....	17

KENYON® LITE TOUCH™

Horizon

2 BURNER TOUCH CONTROL COOK TOP SPECIFICATIONS

B42501 - 240V AC -

one 6" (165mm) burner @ 1200 watts

one 9" / 5" (230mm / 127mm) Dual zone burner @ 2200 / 750 watts

Overall dimensions: 24-1/4" x 14-1/4" x 3-1/4"
616mm x 362mm x 76mm

Cutout dimensions: 22-7/8" x 12-7/8" with 1/4" radius
565mm x 324mm with 6mm radius

PLEASE READ THESE
INSTRUCTIONS IN
THEIR ENTIRETY BEFORE
INSTALLATION AND USE
OF APPLIANCE.

KENYON® LITE TOUCH™ Horizon

2 BURNER TOUCH CONTROL COOK TOP INSTALLATION GUIDE



IMPORTANT!

Save this documentation for future reference.

This appliance must be properly installed and grounded by a qualified technician.

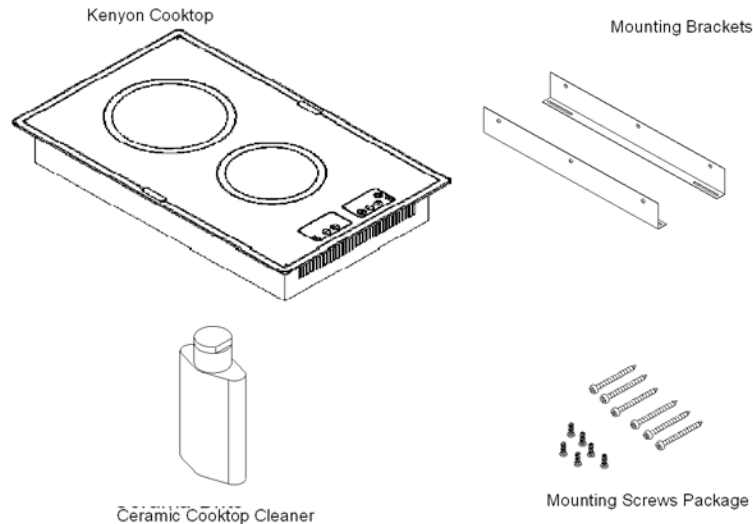
STEP #1

Unpacking the Cook Top

Carefully unpack the cook top from its shipping container. If possible, retain the original packaging should the unit ever need to be returned for service

Verify and identify the package contents. The following items should be included in the carton. If any components are missing or damaged, call **KENYON** immediately.

*Ceramic glass cook top • (2) Mounting brackets
(1) Package of mounting screws • (1) Ceramic cook top cleaner*



IMPORTANT!

Do not remove the clear film on the ceramic glass until cook top is ready to operate

For future reference, please record the serial number of your cook top here:

STEP #2

Check the Electrical Supply Requirements

This product must be installed in accordance with national, state and local electric codes. The following table provides the correct voltage, amperage and frequency that must be supplied to the cook top.

KENYON PART #	MODEL	MAXIMUM CONNECTED LOAD	REQUIRED POWER SUPPLY INPUT	MINIMUM WIRE SIZE
B42501	HORIZON	3400 WATTS	240VAC/14.2A/60Hz	#12 AWG

The supply must be from an individual grounded circuit that is protected by a circuit breaker and rated per the specifications for the various models as shown in the table above.



WARNING:

If the electrical supply does not meet the product specifications, consult with a licensed electrician before proceeding with installation!

**DO NOT DISCARD THIS MANUAL
SAVE FOR FUTURE REFERENCE!**

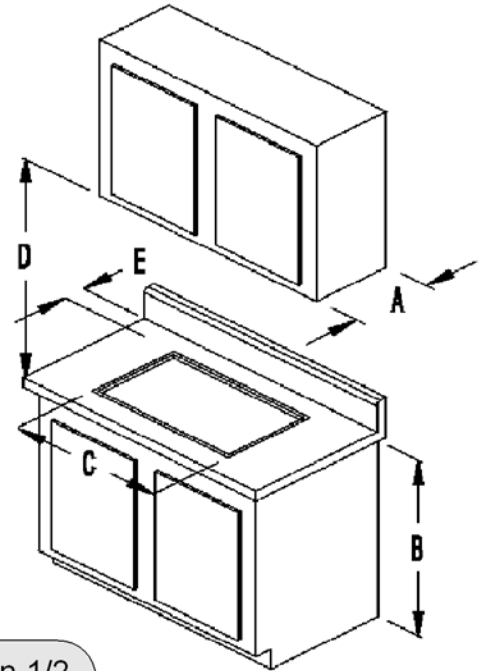
STEP #3

Counter top Preparation

Please read this section prior to making cutout for cook top.

It is important to plan ahead for installation of the cook top, keeping the following dimensions in mind (please refer to Figure A below).

- A** - 13 inches maximum depth of overhead cabinets
- B** - 36 inches is minimum height of counter top above floor
- C** - The minimum flat counter top surface that the cook top will rest upon must be equal to or greater than the overall cook top dimensions (refer to the following page for overall cook top dimensions).
- D** - 30 inches minimum clearance between the top of the cooking surface and the bottom of an unprotected wood or metal cabinet or 24 inch minimum clearance when the bottom of wood or metal cabinet is protected by not less than 1/4-inch-thick flame retardant millboard covered with not less than No. 28 MSG sheet steel, 0.015-inch-thick stainless steel, 0.024-inch-thick aluminum or 0.020-inch-thick-copper.
- E** - 1inch minimum from backsplash of counter top to edge of glass (refer to the following page for overall cook top dimensions). 1 1/2" minimum from front of counter to glass.



FOR INSTALLATIONS IN CANADA: "Do Not Install Closer Than 1/2 Inch (12 mm) From Any Adjacent Surface", and **NE PAS INSTALLER A' MDINS DE 12MM DETOUTE SURFACE ADJACENTE.**

FIG. A



WARNING:

To eliminate the risk of burns by reaching over heated surface units, cabinet storage space located above surface units should be avoided. If cabinet storage is to be provided, the risk can be reduced by installing a range hood that projects horizontally a minimum of 5" beyond the bottom of the cabinets.

Before making the counter top cutout, check for clearance. Check to see if the cook top will clear the front and side walls of the base cabinet. It is also important that you provide adequate ventilation.

Adequate ventilation of the space below the counter top must be provided to ensure proper operation of the cook top. Heat transferred from the cook top bottom pan during operation will overheat an improperly ventilated area.

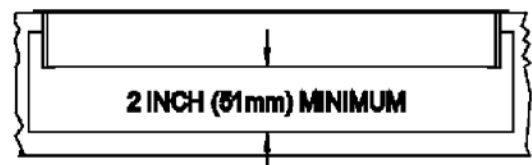
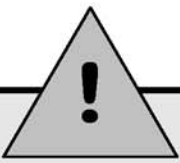
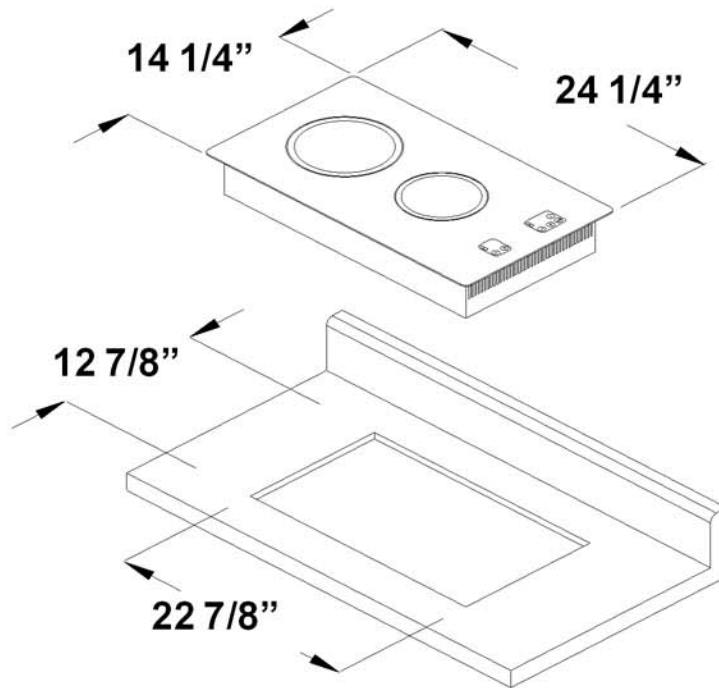


FIG. B



WARNING

Allow a 2" minimum clearance between the bottom of the cook top and combustible surface located below, ie: the upper edge of a drawer installed below the cook top (Fig B, page 4). Failure to provide proper clearances and ventilation may result in a fire hazard.



COUNTER TOP CUTOUT DIMENSIONS

B42501 HORIZON

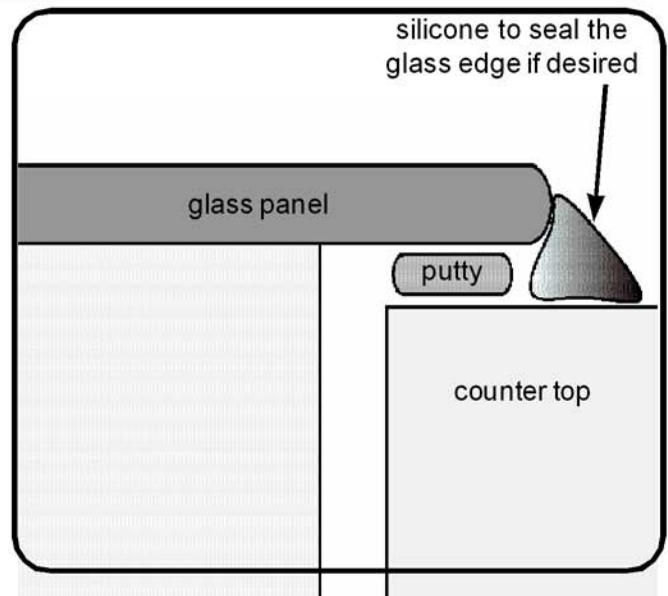
NOTE:

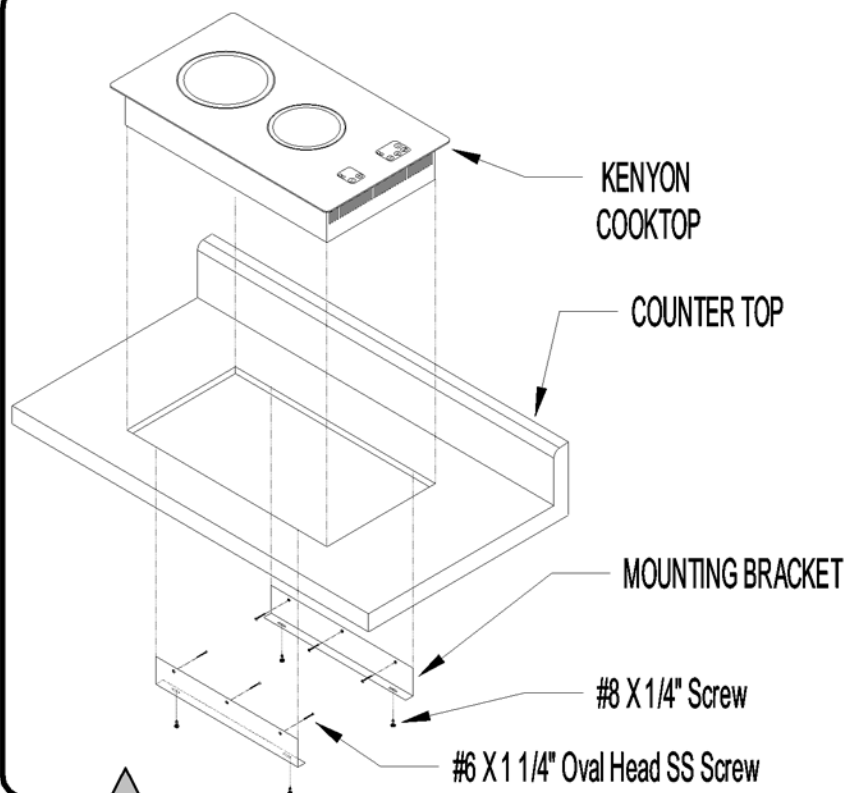
When making counter top, **radius** the corner of the cutout (1/4" radius is typical), to help prevent cracking of the counter top. Follow the counter top manufacturer's instructions regarding the minimum corner radius and reinforcement.

STEP #4

Installing the Cook Top

The cook top is supplied with two metal mounting brackets. These brackets are designed to hold the cook top firmly in place. The cook top does not have a metal frame and should be sealed to the counter top. **Use a soft bedding compound that will prevent damage if later removal for service is necessary. We recommend a nonadhesive type of sealant, such as plumber's putty maximum compressed thickness of 1/16".** Silicone may be used glass edge only, if desired.





Attach the two mounting brackets as shown (see Fig D) to the inside vertical surface of the cutout. The brackets are to be mounted on opposing sides. Center the bracket in the opening, **flush with the counter top** and secure with #6 self-tapping screws that are provided. Position the cook top in the cutout opening and press firmly on all sides to seal the glass into the bedding compound. Secure the cook top to the brackets from underneath with the small sheet metal screws that are supplied.

BE CAREFUL NOT TO OVERTIGHTEN THE SCREWS.



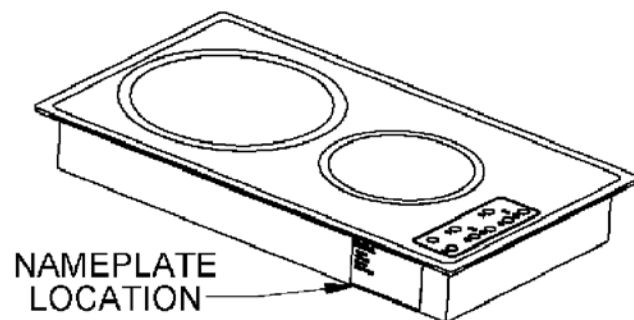
WARNING- GROUNDING

The entire appliance must be grounded at all times when the electrical power supply is on. Do not ground the appliance with the neutral house supply wire (white). A separate ground must be used.

STEP #5

Electrical Connection

Before proceeding further, verify that the power supply is disconnected. Verify that the appropriate electrical supply requirements have been met. Please refer to the table on **page 3** for appropriate electrical requirements. The cook top is supplied with a sheathed harness for a connection to an accessible junction box. The harness consists of three insulated wires. There are two insulated hot lead conductors (both tinned copper) and one insulated ground conductor (green insulated-tinned copper). **Attach conductor wires to mains in accordance with national, state and local electric codes.**



STEP #6

Final Preparations Prior to Use

Remove the plastic film from the cook top. Clean the cook top before you use it for the first time. A thorough cleaning with a recommended cook top cleaner (*Cerama Brite Cooktop Cleaner*) will provide a clean, shiny coating on the cook top surface.

KENYON® H o r i z o n

2 BURNER TOUCH CONTROL COOK TOP
OPERATION GUIDE

safety guidelines

SAFETY

Read this section BEFORE operating the cook top
The following information applies to all
KENYON Electric Cook Tops.



This cook top, like all appliances, has the potential to create safety problems through careless and improper use. Please observe all of the following safety precautions.

- **Proper Installation**
Be sure your appliance is properly installed and grounded by a qualified technician.
- **Never use your appliance for warming or heating a dwelling.**
- **Do not leave children alone.**
Children should never be left alone or unattended in the area where the appliance is in use. They should never be allowed to sit or stand on any part of the appliance. Do not store items of interest to a child in cabinets above cook top or behind cook top. Children climbing on the cook top to reach such items could be seriously injured.
- **Wear proper clothing/apparel.**
Loose fitting or hanging garments should never be worn while using the appliance.
- **User Servicing**
Do not repair or replace any part of the appliance. If service ever becomes necessary, this appliance should be serviced by **AUTHORIZED PERSONNEL ONLY** or call **KENYON Customer Care at (860) 664-4906.**
- **Keep flammable materials away from cook top.**
- **Do not store plastic material (such as plastic utensils) in storage areas beneath cook top.**
Plastic items with low melting temperatures should not be stored under/over or near the cook top.

KENYON® H o r i z o n

2 BURNER TOUCH CONTROL COOK TOP OPERATION GUIDE

care and cleaning

READ SAFETY INSTRUCTIONS BEFORE OPERATING YOUR APPLIANCE

The cooking surface and control areas of your glass ceramic cook top are identified by permanent patterns in the cook top. The appliance is easy to maintain and clean. Keeping the cook top in top performance can be achieved by following the simple guidelines for use and cleaning below:

Cookware

Chances are that your existing cookware will work just fine with your glass ceramic cook top. Cooking on a glass ceramic cook top does not require special pots or pans. Since cookware plays an important role in cooking efficiency and convenience, keep in mind the following information when making your selection .

Cookware should have a flat bottom. Although glass and other types of materials can be used, metal utensils with thick bottoms will generally conduct the heat well. Aluminum and stainless steel cookware usually work best. Avoid utensils with shaped and rounded bottoms, or those that warp when heated. Only certain types of glass, glass/ceramic, ceramic, earthenware, or other glazed utensils are suitable for range-top service without breaking due to the sudden change in temperature.

Use cookware of the correct diameter only. The base of the pot or pan should be about as large in diameter as the cooking zone on which it is used. By using utensils with the correct diameter, you should achieve maximum heating efficiency with the shortest boiling times.

Be certain that both the cook top glass panel and the bottoms of your cookware are clean and dry before use. By doing so, you will help prevent scratches and stains.

Cleaning

To help ensure that the KENYON cook top stays clean, follow these easy-care tips:

Clean the cook top before you use it for the first time. A thorough cleaning with a recommended cook top cleaner (**Cerama Brite Ceramic Cook top Cleaner**) will provide a coating on the cook top prior to its first use. A sample is included with your Kenyon cook top.

Always remove food spills, grease spatters and metal rub-off from cookware. A razor blade scraper or the equivalent works well to remove spillovers.

Clean the cook top with a paper towel or a clean, soft cloth and a recommended cleaner. After cleaning, always wipe the cook top with a clean, damp cloth to avoid cooked-on cleaner residue, then wipe the cook top dry.

Do not use a dish towel or sponge to wipe off the cook top. A film may be left by the detergent and may cause discoloration of the cook top surface.

Avoid abrasive scouring cleaners of any kind. Also avoid using plastic, nylon or metal cleaning pads. They may scratch or melt onto the cook top.

Avoid chemical cleaners such as chlorine bleach, ammonia, hydrofluoric acid or chemical oven cleaners. They can etch or discolor the surface.

Do not let anything that melts - plastic, aluminum foil, sugar, etc. come into contact with the cook top surface when it is hot. Should something melt onto the surface, *immediately* move it to a cool area of the cook top with a razor blade scraper and then remove it from the cook top as soon as possible.

KENYON® H o r i z o n

2 BURNER TOUCH CONTROL COOK TOP OPERATION GUIDE

safety guidelines

- **Do not use water on grease fires.**
Smother fire or flame or use dry chemical or foam-type extinguisher.
- **Use only dry pot holders.**
Moist or damp pot holders on hot surfaces may result in burns from steam. Do not let pot holder touch the heating elements on the appliance. Do not use a towel or other bulky cloth in place of a pot holder.
- **Do not cook on broken cook top.**
If cook top should break, cleaning solutions and spillovers may penetrate the broken cook top and create a risk of electric shock. Contact an authorized service center or KENYON Customer Care immediately at (860) 664-4906.
- **Clean cook top with caution.**
If a wet sponge or cloth is used to wipe spills on a hot cooking surface, be careful to avoid steam burns. Some cleaners produce noxious fumes if applied to a hot surface. Read the cleaner label for details prior to using.
- ***DO NOT TOUCH HEATING ELEMENTS***
The heating elements on the cook top may be hot even if they are dark in color. These areas may be hot enough to cause burns. Never touch heating elements until they have had sufficient time to cool. Likewise, never allow clothing or flammable materials to come in contact with heating elements or cook top surfaces until they have had sufficient time to cool. Other surfaces of the appliance may become hot enough to cause burns.
- **Use proper pan size.**
This appliance is equipped with one or more surface units of different size. Select utensils having flat bottoms large enough to cover the surface unit heating element. The use of undersized utensils will expose a portion of the heating element to direct contact and may result in ignition of clothing. Proper relationship of utensil to burner will also improve efficiency.
- **Never Leave Surface Units Unattended at High Heat Settings.**
Boil-over causes smoking and greasy spillovers that may ignite.
- **Handles Should be Turned Inward and Not Extend Over Adjacent Surface Units.**
To reduce the risk of burns, ignition of flammable materials, and spillage due to unintentional contact with the utensil, the handle of a utensil should be positioned so that it is turned inward, and does not extend over adjacent surface units

KEEP THESE INSTRUCTIONS WITH THE COOK TOP FOR FUTURE REFERENCE

KENYON® Horizon

2 BURNER TOUCH CONTROL COOK TOP OPERATION GUIDE

control basics

DUAL ZONE SENSOR

This sensor controls the outer heating zone of the dual element.

DUAL ZONE INDICATOR

Indicates that outer ring of the dual element is on.

POWER LEVEL DISPLAY

Digital display indicates heat output of burner, in single increments from zero (0) to nine (9), as well as an "H" indicating a hot surface.

(+) POWER SENSOR

Touching this sensor will increase the heat output of the burner in increments of one

LOCAL POWER SENSOR

Local power sensors control the individual cooking "zones". Touching this sensor while the cook top is active will activate the selected zone.

(-) POWER SENSOR

Touching this sensor will decrease the heat output of the burner in increments of one

COOKING ZONE GRAPHIC

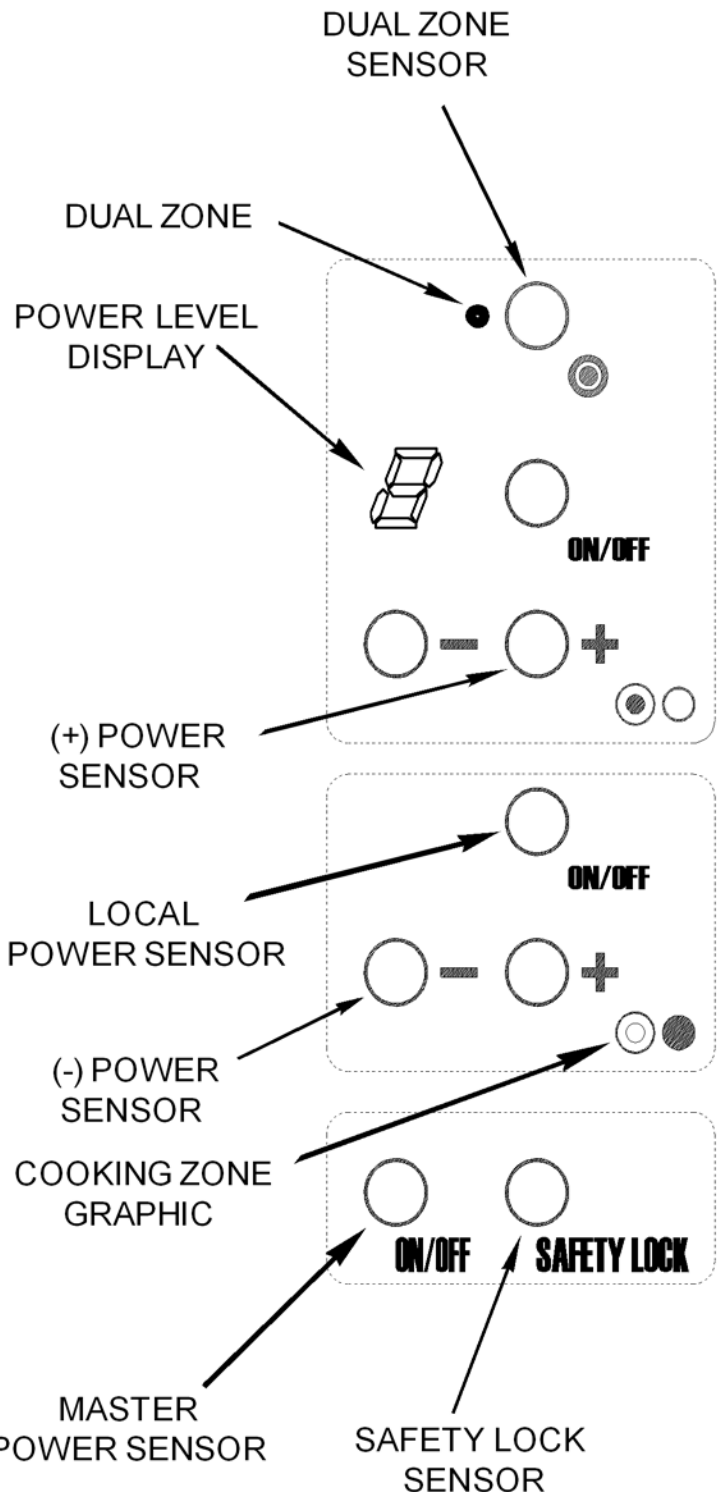
Depicts which element is controlled by each control zone, indicated by the filled circle.

MASTER POWER SENSOR

This is the main power control for the stove. Touching this with the cook top off will activate the controller.

SAFETY LOCK SENSOR

Activates the Safety Lock mode. Prevents unwanted use of cook top as well as added safety for cleaning. **See page 13**



CONTROL GRAPHICS

KENYON[®] H o r i z o n

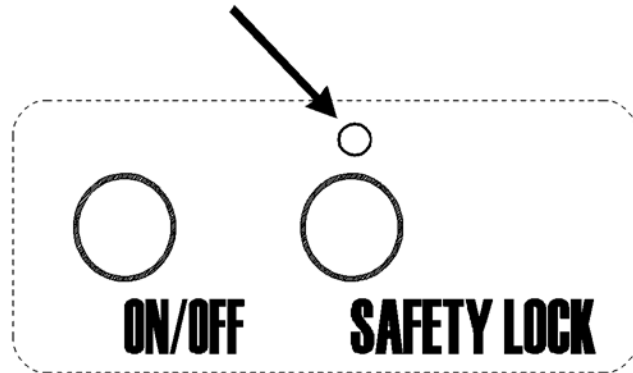
2 BURNER TOUCH CONTROL COOK TOP OPERATION GUIDE

control basics

CALIBRATION:

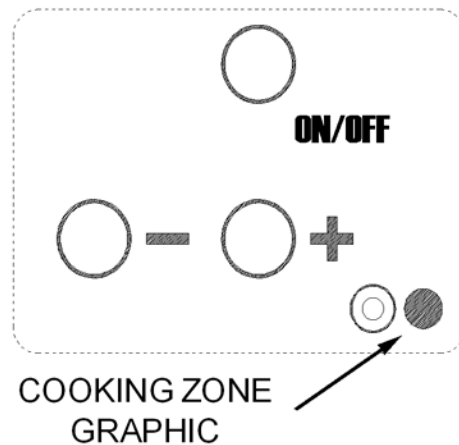
Upon application of electrical power to the cook top, the controller will run a self-calibration process. The controller will then sound an audible confirmation tone and briefly illuminate the Safety-Lock indicator light. See **page 13** for procedures regarding this safety feature.

SAFETY-LOCK INDICATOR



COOKING ZONE GRAPHIC

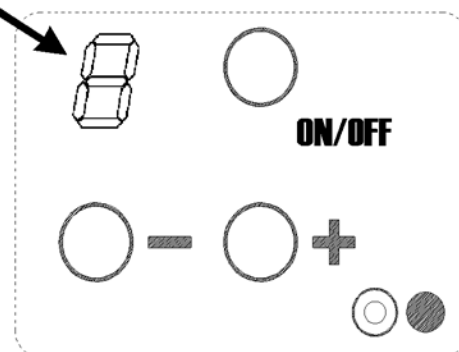
Your KENYON cook top features a depiction of the heater element layout in each control pad zone. This is a "map" of which element is controlled by each zone. The controlled element is represented by the filled circle. In the figure on the right, the heater controlled by this pad is the element on the right, closest to the controls.



HEAT SETTINGS

Your KENYON cook top has 9 different heat settings, from 1 through 9, selected using the (-) and (+) sensors. The heat setting for each element is displayed as shown at the right. The cook top cycles the elements at different time intervals to vary the heat level. As the setting is increased, the elements will remain on for a longer period.

POWER LEVEL DISPLAY



KENYON® H o r i z o n

2 BURNER TOUCH CONTROL COOK TOP OPERATION GUIDE

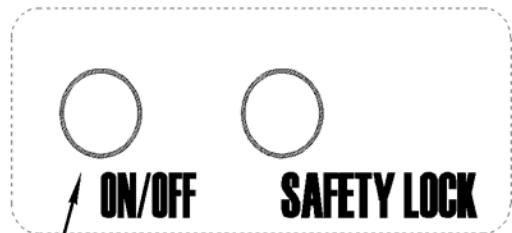
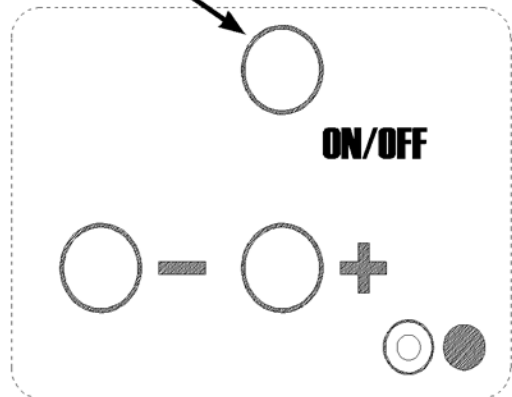
control basics

ENERGIZING THE ELEMENT(S)

After disabling the Safety-Lock, **touch and hold** the Master Power sensor for **two seconds**. The cook top will then beep and display a (-) at each display for *ten seconds*. An appropriate (+) or (-) sensor must be chosen within this time, otherwise the controller will return to Stand-By mode. The cook top will automatically power down in another ten seconds if no cooking zone controller has been activated.

After activating the cook top, select a Local Power sensor for the desired cooking zone. The display will then change to a (0). Select the (-) or (+) sensor to activate the heater. Selecting the (-) sensor will energize the heater at full power (9), continued activation of the (-) sensor will allow an incremental decrease of power by one level every half-a-second. Selecting and holding the (+) sensor will allow an incremental increase in power from (1).

LOCAL
POWER SENSOR



MASTER
POWER SENSOR

TURNING “OFF” ELEMENTS

There are *three* ways to turn off an individual element:

- 1) Touch the (-) sensor until the display counts down to zero.
- 2) Touch the (-) and (+) sensors simultaneously.
- 3) Touch the Local Power Sensor.

TURNING “OFF” Cook top

To turn off the cook top, simply **touch and hold** the Master Power Sensor for **two seconds**. The entire cook top will de-energize and enter Stand-By mode. The cook top will also immediately display an “H” in each zone. See “Hot Surface Indicators” section on **page 14**.

KENYON® Horizon

2 BURNER TOUCH CONTROL COOK TOP OPERATION GUIDE

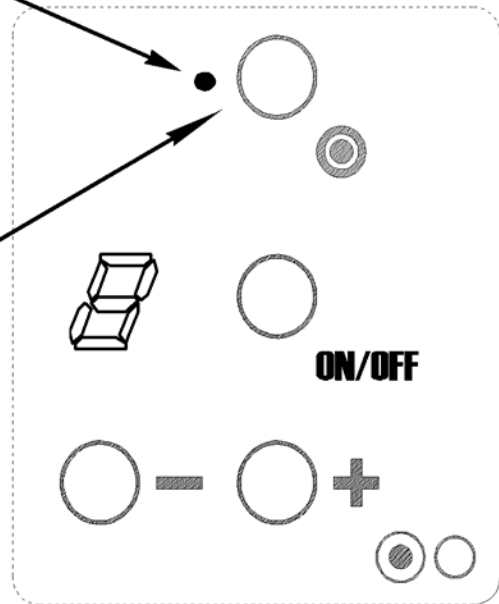
cook top features

DUAL ZONE ELEMENT

Your **KENYON** cook top is equipped with a dual zone element. This element allows you the option of using either the 5" inner zone for small pots, or to energize both the inner and outer zones for a large 9" element, which is very useful for large pots and high heat cooking, such as boiling water for pasta.

DUAL ZONE "ON"
INDICATOR

DUAL ZONE
SENSOR



To activate the inner element, begin by touching the Master Power sensor, then the Local Power sensor. Then touch the (-) or (+) sensor and set the element to the desired heat level. When desired, simply touch the Dual Zone sensor and the indicator light will illuminate. You will then see that the outer section of the element will energize and will cycle in unison with the inner zone.

To deactivate the outer zone, simply touch the Dual Zone sensor again and the indicator light will extinguish, signaling that the outer zone is now inactive.

PLEASE READ THESE
INSTRUCTIONS IN THEIR
ENTIRETY *BEFORE* INSTALLATION
AND USE OF APPLIANCE.

KENYON® Horizon

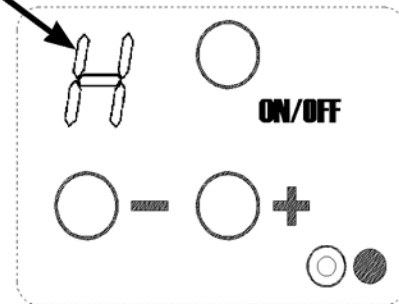
2 BURNER TOUCH CONTROL COOK TOP OPERATION GUIDE

cook top features

HOT SURFACE INDICATORS

Your KENYON cook top features Hot Surface indicators. Any element that has been in use and is switched off will display an “H” in the control zone. *This indicates that the glass surface of the cook top is still too hot to touch!* The “H” will flash if any other element is in use. The Hot Surface indicator will extinguish automatically after the glass surface has had sufficient time to cool, determined by the power level and time in use.

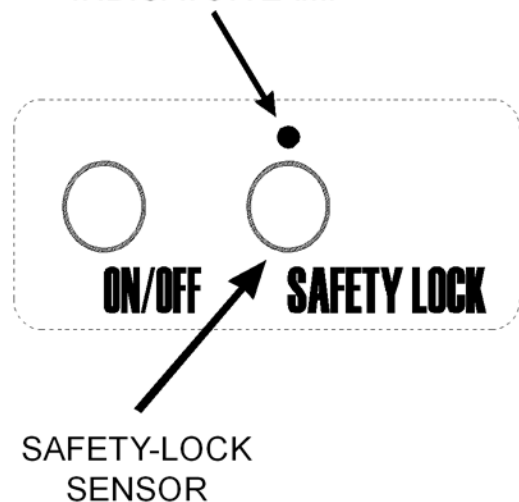
HOT SURFACE
INDICATOR



SAFETY LOCK-OUT

Your **KENYON Lite Touch** cook top features a Safety Lock-Out mode that prevents unwanted use and accidental activation of the elements during cleaning or other activities. To activate the lock-out feature, **touch and hold** the safety lock sensor for two seconds. The cook top will then illuminate an indicator lamp above the sensor graphic, and emit a confirmation tone that Lock-Out Mode has been activated.

SAFETY-LOCK
INDICATOR LAMP



While the lock out feature is activated, the only control input available is the Master Power sensor, to turn off the entire stove. Any attempts at sensor activation other than this will have no effect on the cook top. To deactivate the Safety Lock-Out mode, **touch and hold** the lock sensor for two seconds. The cook top will emit a tone and extinguish the indicator lamp, confirming that the Lock-Out Mode has now been deactivated.

Warranty

KENYON International (the "Company") warrants its products in normal usage to be free of defects in materials and workmanship subject to the conditions and limitations below. Any part which proves to be defective in normal usage during the warranty period will be repaired or replaced by the Company.

This warranty covers only glass ceramic cook tops and is subject to the following conditions and limitations:

1. The Company's liability shall be limited to repair or replacement (choice of remedy at Company's option) of goods or parts as may be defective in materials or workmanship. This liability is limited to three years from the date of original installation; this warranty covers labor and parts.
2. Determination of suitability of the product for the use contemplated by the buyer is the sole responsibility of the buyer and the Company shall have no responsibility in connection with such suitability.
3. The Company shall not be liable for any damage resulting from:
 - failures due to use of the products in applications for which they are not intended
 - failures due to corrosion, wear and tear, abuse or improper installation or maintenance
4. The Company shall be responsible for ground shipping charges to the location of the appliance (home) within the continental United States and Canada. Any other or express or special shipping charges are at the expense of the buyer.
5. All labor allowed by the Company under this warranty must be performed by an authorized Kenyon International service center, unless otherwise specified in writing by the Company.

THERE ARE NO OTHER WARRANTIES OF MERCHANTABILITY, FITNESS FOR PURPOSE OR ANY OTHER KIND, EXPRESSED OR IMPLIED AND NONE SHALL BE IMPLIED BY LAW. The duration of any such warranties that are nevertheless implied by law for the benefit of a consumer, shall be limited to a period of three years from original purchase. Some countries do not allow limitations on how long an implied warranty lasts, so this limitation may not apply to you.

THE COMPANY SHALL NOT BE LIABLE FOR CONSEQUENTIAL OR INCIDENTAL DAMAGES ARISING FROM THE BRACH OF THIS WARRANTY, WHETHER EXPRESSED, IMPLIED OR STATUTORY. Some countries or states do not allow exclusion or limitation of coincidental or incidental damages so this limitation or exclusion may not apply to you.

THIS WARRANTY GIVES YOU SPECIFIC LEGAL RIGHTS AND YOU MAY ALSO HAVE OTHER LEGAL RIGHTS WHICH MAY VARY FROM COUNTRY TO COUNTRY AND STATE TO STATE.

Kenyon International, Inc.
P.O. Box 925 • 8 Heritage Park Road • Clinton, CT 066413 USA
Phone (860) 664-4906 FAX: (860) 664-4907
Email: customercare@kenyonappliances.com

Effective date January 1, 2005