

BIM24OS

25.0" x 14.75" x 23.0" (H x W x D)

Outdoor icemaker for built-in use, in complete stainless steel with towel bar handle

Highlights:

U.L. approved for outdoor use, with three levels of weatherproofing in design

Complete construction in durable 304 grade stainless steel

Flexible design allows built-in or freestanding use, with optional bases available to raise unit height for ADA or standard counters

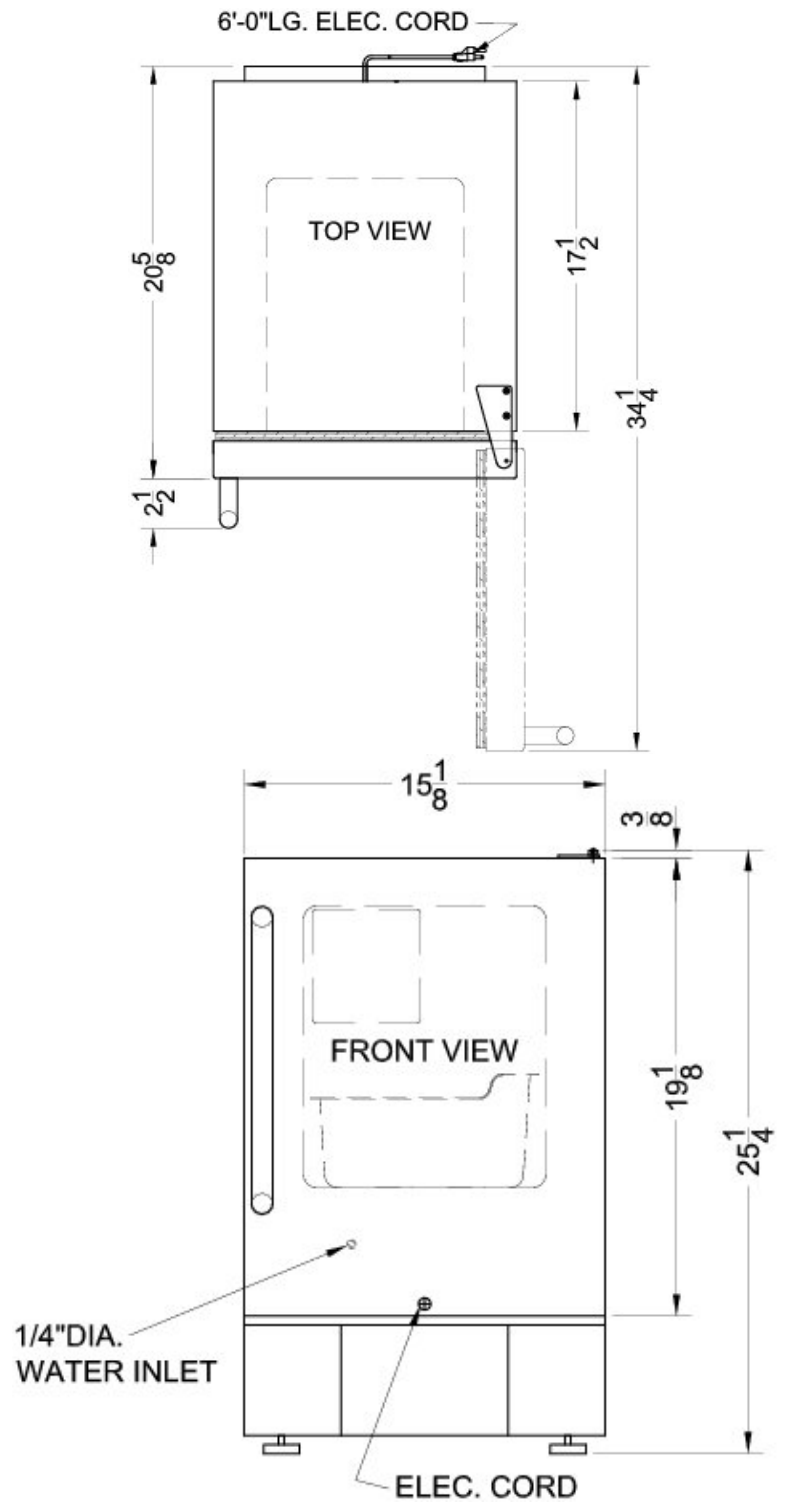
Produces up to 10 lbs. of crescent-shaped ice in a day cycle



U.L. approved for outdoor use	Weatherproof design rated safe for outdoor operation
Ground Fault Circuit Interrupter	Our integrated GFCI exceeds U.L. requirements for safety by protecting your unit from shocks and circuit breaks
Complete 304 grade stainless steel construction	Durable exterior with lasting elegance
Professional towel bar handle	A curved stainless steel handle provides generous room for a comfortable grip
Built-in capable	Make the best use of space by installing your appliance under the counter and flush with other cabinets
Fully finished cabinet	Allows the icemaker to be used freestanding
Insulated storage bin	Ice maintains solid crescent shape longer in cold storage bin
Sealed back	No exposed electrical components
Storage base options	Bases available to raise unit height; Base 32 brings BIM24OS to ADA compliant counter height, Base 34 raises it to fit under standard counters
100% CFC free	Environmentally friendly design without ozone-damaging chemicals

Specifications:

Height	25.0"
Width	14.75"
Depth	23.0"
Capacity	1.0 cu.ft.
Interior Height 1	11.75"
Interior Width 1	10.0"
Interior Depth 1	13.0"
Shipping Weight	70.0 lbs.
Amps	1.0
US Electrical Safety	UL
Voltage/Frequency	115 V AC/60 Hz
Canadian Electrical Safety	ULC
Reversible	No
Door Swing	RHD
Adjustable Shelf	true
Defrost Type	Manual
Thermostat Type	Dial
Condensor Location	Rear of Unit
Freon Type	R134a
Level Legs Quantity	2
Freon Oz	2.4
Parts/Labor Warranty	1 Year
Compressor Warranty	5 Years



Summit Appliance Division, Felix Storch, Inc.
 770 Garrison Ave • Bronx, NY 10474
 Phone: 718-893-3900 • Fax: 718-842-3093
 Email: info@summitappliance.com