

1224FZRSOD • 24" Outdoor Convertible Freezer • Outdoor Series

FEATURES & BENEFITS



STAINLESS SOLID

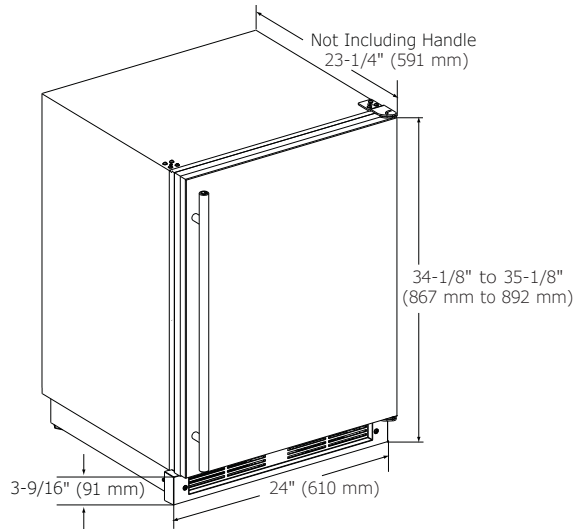
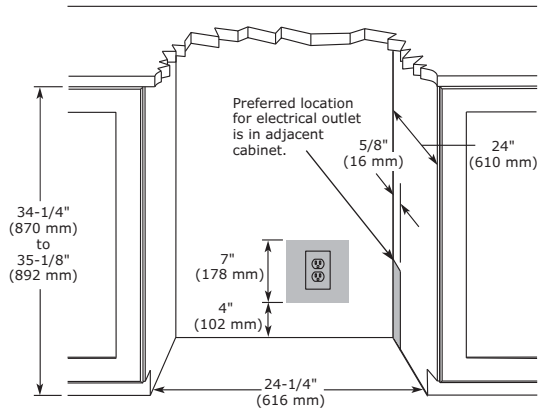
PERFORMANCE	<ul style="list-style-type: none"> • Volume of 4.8 cu ft • Digital Touch Pad Control is conveniently located on upper face of unit • Converts to a refrigerator with the touch of a button • Freezer temperature range: -5°F - 5°F • Refrigerator temperature range: 34°F - 45°F • Convection cooling system rapidly and efficiently takes items to the set temperature
INTERIOR/EXTERIOR	<ul style="list-style-type: none"> • White interior is illuminated with LED lighting • Three chrome plated full-extension slide-out freezer baskets • Standard professional stainless steel handle is interchangeable with commercial handle accessory • Full stainless steel cabinet and door are deemed suitable for outdoor use by UL • Door swing is field reversible, and is shipped right-hand hinged
INTEGRATION	<ul style="list-style-type: none"> • Unit is designed to be built-in or can be freestanding with the freestanding accessory kit • Four independently adjustable leveling legs provide a precise undercounter fit

MODEL DETAILS

Model	Voltage/Hz	Door Swing	Finish	Shipping Weight
U-122FZRSOD-00A	115 / 60	Field Reversible	Stainless Solid	125 lbs

ACCESSORIES

Model	Description	Finish	Shipping Weight
80-54214-00	Commercial Door Handle, 7/8" Diameter	Stainless	2 lb
U-FSK-S	Freestanding Kit	Stainless	3 lb

Outdoor Series • 24" Outdoor Convertible Freezer • 1224FZRSOD
DIMENSIONS

CABINET CUT-OUT

INSTALLATION NOTES

When installing adjacent to wall, ensure 2-1/2" clearance on hinged side for 90° door opening, allowing ample room for door handle.

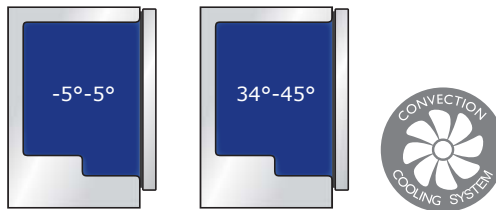
Cutout includes the additional 1/4" width overall to ensure proper installation.

No additional clearance around sides, top or rear of unit is needed for ventilation.

Do not obstruct front grille air flow.

SPECIFICATIONS

Model	1224FZRSOD
Amps: Running	2.5
Capacity: Volume (cu ft)	4.8
Control Type	Digital Touch Pad
Dimensions: Product Depth	23 1/4" / 591 mm
Dimensions: Product Height	34 1/8" / 867 mm
Dimensions: Product Width	24" / 610 mm
Energy Consumption: Avg. Per Year	390 kWh
ENERGY STAR	Yes
ENERGY STAR	ENERGY STAR / Tier 1
Product Weight: Max	115 lbs
Refrigerant Type	R134a
Sabbath (Star K Certified)	Yes
Temperature Range (Freezer)	-5°F - 5°F
Temperature Range (Refrigerator)	34°F - 45°F

COOLING SYSTEM

ELECTRICAL REQUIREMENTS

This unit requires a grounded, polarized 115 VAC, 60 Hz, 15 A power supply (normal household current).



Warranty

Please visit u-line.com to view this model's User Guide & Service Manual. All Specifications are subject to change without notice.

Deemed suitable for outdoor use by UL.