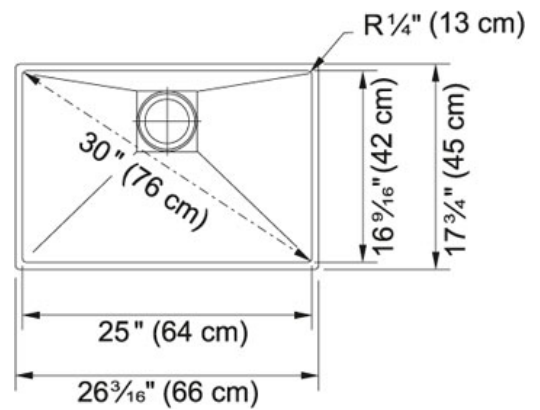


SPECIFICATION SHEET

PRODUCT FAMILY: Sinks FINISH: Stainless Steel SERIES: PEAK MODEL: PKX 110-25



Product Information

FUN#	122.0192.590
US Part Number	PKX11025
Franke Integral Ledge	built-in
Minimum Cabinet Size	30"
Drain Opening	3 1/2"
Outer Dimensions	26 3/16"x17 3/4"
Bowl Size	25"x16 1/2"x10"
Number of Bowls	1
Type of Material	16 ga Stainless Steel

Accessories



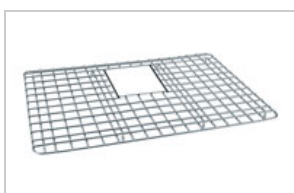
112.0066.060



112.0079.835



112.0173.264



112.0260.338

Suggested Products



119.0175.309