

## SINC430220

3.25" x 30.63" x 21.63" (H x W x D)

Built-in 220 volt induction cooktop with four zones and Black Ceran™ smooth-top finish

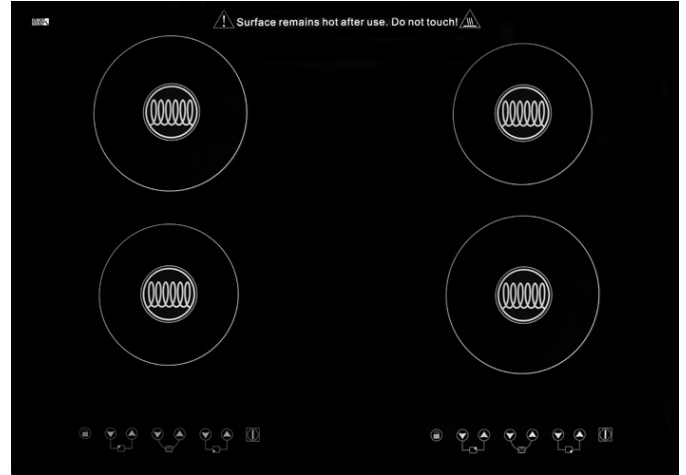
### Highlights:

Instantly heats to cook in half the time of standard gas and electric ranges

Smooth Schott Ceran surface made of durable, low maintenance black glass

Complimentary 7-piece cookware set included

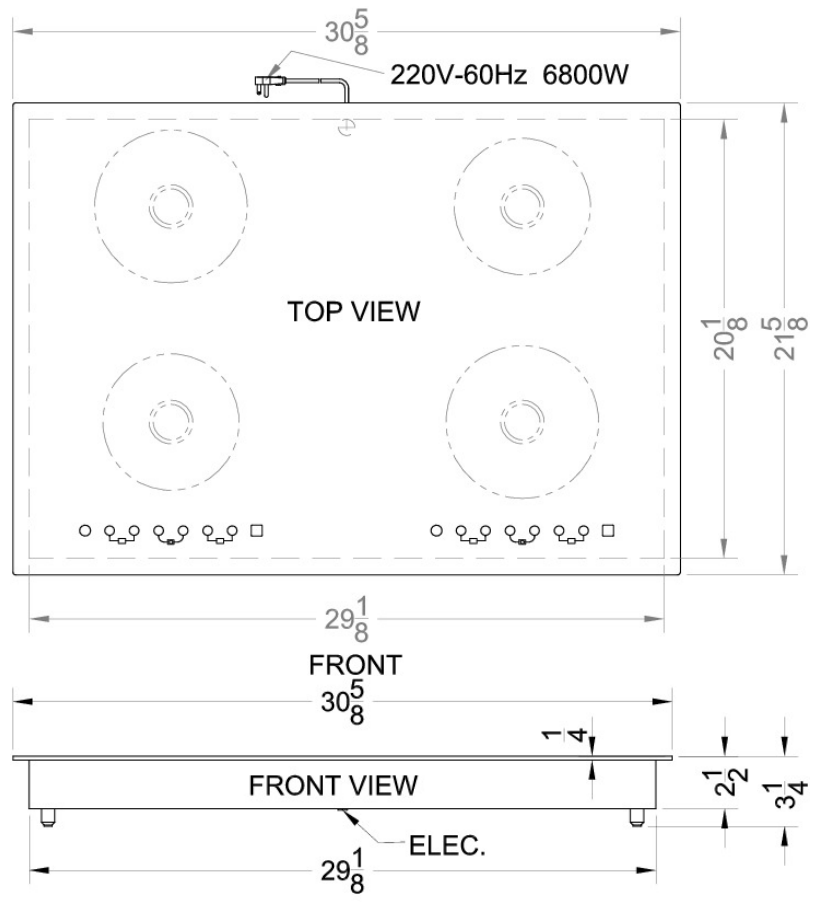
Magnetically generated heat produces no open flame and keeps heat confined to cookware



Schott Ceran® surface	Smooth surface made of durable and elegant black glass
Beveled edges	Smooth, slightly rounded edges protect you from minor injuries associated with sharp corners
7-piece cookware set	Each purchase includes a complimentary set of induction cookware complete with glass lids
Electromagnetic heat	Heat is produced inside your cookware for even cooking
Energy efficient	84% of the heat created goes directly towards heating cookware contents
Cool surface	Most heat is sent directly to cookware, keeping the surface fairly cool to touch
Automatic pan recognition	Interior coil turns off after 30 seconds if there is no induction cookware on top
Child lock	Prevent accidents with this safety feature
Ten power levels	Get precise control of heating temperature with adjustable touch controls
LED display	Four digit display lets you keep track of power setting

# Specifications:

Cutout Width	29.38"
Cutout Depth	20.38"
Height	3.25"
Width	30.63"
Depth	21.63"
Countertop Cutout Width	20.38"
Countertop Cutout Depth	29.38"
Shipping Weight	42.0 lbs.
Other Energy Info	1600W/1800W
US Electrical Safety	ETL
Voltage/Frequency	220 V AC/60 Hz
Amps	35.0
Heating Type	Induction
Surface Type	Glass
Burner Temperature Control	Digital
Burner Type	Glasstop
Number of Burners	4



**MODEL: SINC430220**  
**220V-60Hz 6800W**

Summit Appliance Division, Felix Storch, Inc.  
 770 Garrison Ave • Bronx, NY 10474  
 Phone: 718-893-3900 • Fax: 718-842-3093  
 Email: info@summitappliance.com