



CHROME  
01038368



BRUSHED CHROME  
01038369



MATTE BLACK  
01038370



ROSE GOLD  
01038371



BRUSHED GOLD  
01038372



NICKEL  
01038373



BRUSHED NICKEL  
01038374

# HYDROTAP® ARC FOR HOME

**BOILING** | **CHILLED**

The HydroTap Arc BC will elevate your drinking water, with on demand boiling and chilled water, advanced smart technology, beautiful design and high filtration for healthier living. Unbottle the future. Choose sustainable hydration with HydroTap by Zip Water - the world's most advanced drinking water system.

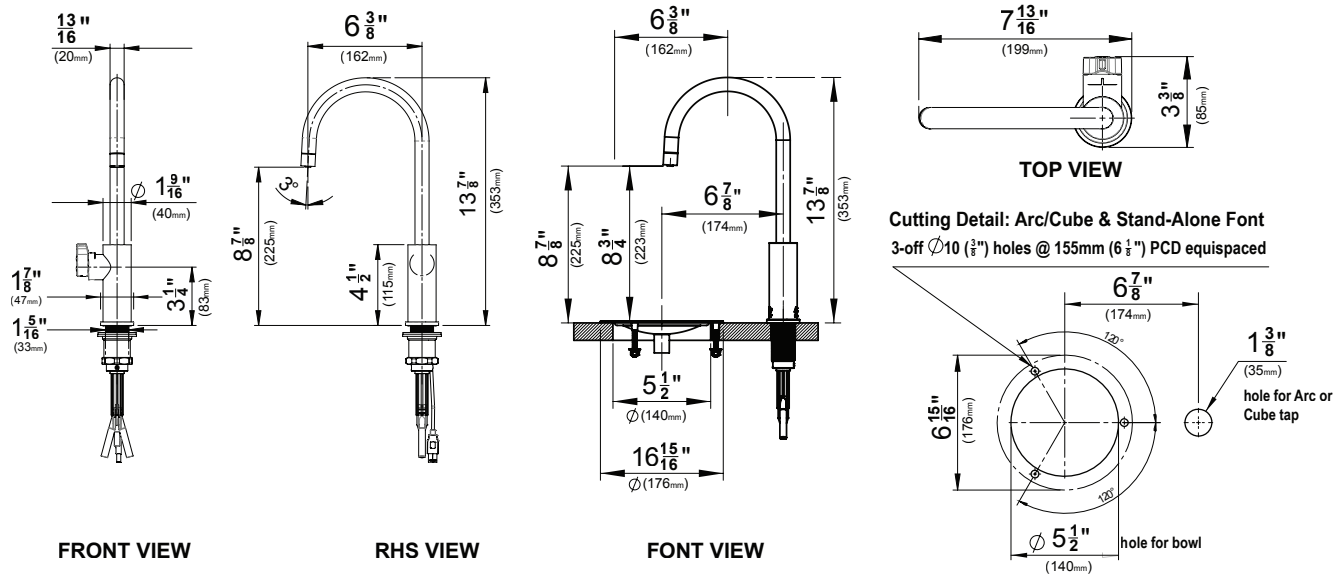
# HYDROTAP® ARC FOR HOME

**BOILING** | **CHILLED**



## TAP SPECS

Style	HydroTap Arc-includes child safety lock
Hole Size	1 3/8"
Available Finishes	Chrome, Brushed Chrome, Matte Black, Rose Gold, Brushed Gold, Nickel & Brushed Nickel
Installation	Over Sink or On Drip Tray (Optional Font - see accessories)
Flow rate	Max 1.8gpm



## ORDER CODES FOR PRODUCTS

01038368	BC100/75 - Arc (Chrome)
01038369	BC100/75 - Arc (Brushed Chrome)
01038370	BC100/75 - Arc (Matte Black)
01038371	BC100/75 - Arc (Rose Gold)
01038372	BC100/75 - Arc (Brushed Gold)
01038373	BC100/75 - Arc (Nickel)
01038374	BC100/75 - Arc (Brushed Nickel)

## ORDER CODES FOR OPTIONAL FONTS

01034269	Drip Tray, Design Range Font (Chrome)
01034270	Drip Tray, Design Range Font (Brushed Chrome)
01034271	Drip Tray, Design Range Font (Matte Black)
01034272	Drip Tray, Design Range Font (Rose Gold)
01034273	Drip Tray, Design Range Font (Brushed Gold)
01034274	Drip Tray, Design Range Font (Nickel)
01034275	Drip Tray, Design Range Font (Brushed Nickel)

## ORDER CODES FOR SCALE FILTER KITS

01037874	Zip Scale Filter Installation Kit G4 2250 Liter (595gal) - FL250G4
01037875	Zip Scale Filter Installation Kit G4 3750 Liter (990gal) - FL500G4
01037876	Zip Scale Filter Installation Kit G4 7000 Liter (1850gal) - FL1000G4
01037877	Zip Scale Filter Installation Kit G4 10000 Liter (2640gal) - FL1500G4

## ORDER CODES FOR REPLACEMENT FILTERS

01034276	Filter, Zip, 0.2 Micron, 1 Size - 93701
01034278	Filter, Zip, 3 Micron, 1.5 Size - 93703

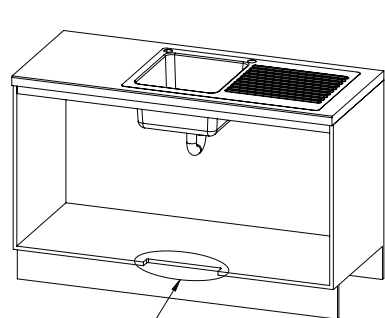
# HYDROTAP® ARC FOR HOME

**BOILING** | **CHILLED**

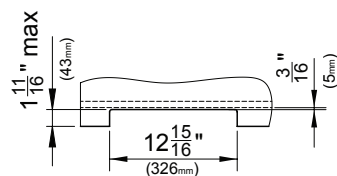


## COMMAND CENTER SPECS

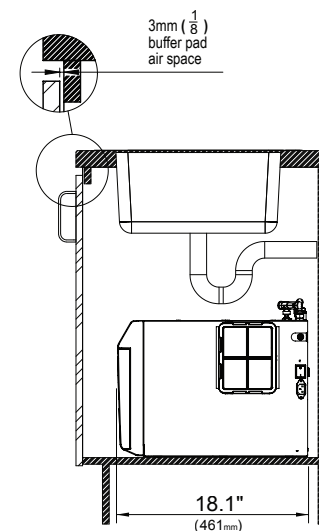
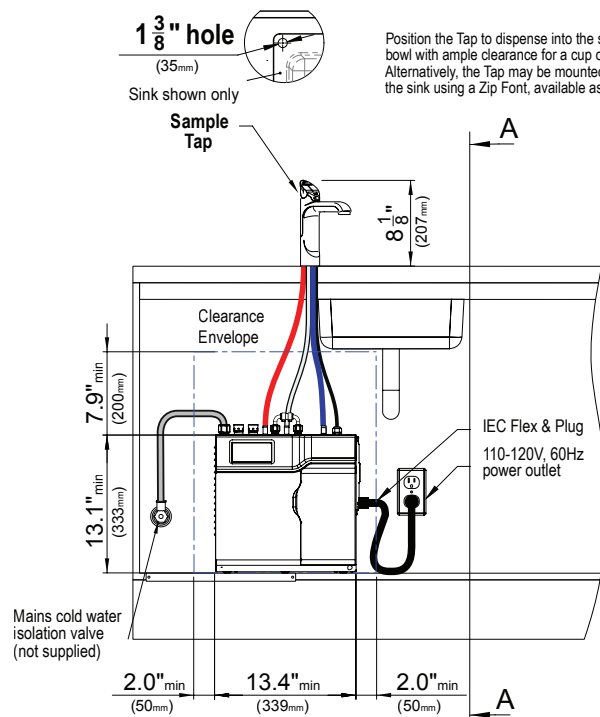
Water Pressure	Min 30psi – Max 75psi with a minimum flow rate of 1 gpm
Water Connection	½" BSP - isolation valve is required within 3' of the installation
Integral Water Values	HydroTaps are fitted with a Dual Check Valve and a 50psi Pressure Limiting Valve
Water Supply Requirements	Potable drinking water supply
Total Dissolved Solids (TDS)	TDS Min 50ppm – Max 120ppm
Integral Water Filter	0.2 micron, 1 size - Replace every 1,500 gallons or 12 months
Power Rating	110-120V, 60 Hz, 1.18kW
Power Supply Requirements	110-120V, 60Hz 15 amp power supply with a NEMA 5-15 outlet
Dimensions (WxDxH)	13.4" x 18.1" x 13.1"
Minimum Air Gap	Clearances are required - 2" Left side , 2" Right side , 8" Above
Dry Weight	53lbs
Product Approvals	WQA - NSF/ANSI 372, 42 & 53, cUL, CEC
Warranty	2 years (1 year Limited Warranty plus additional 1 year Warranty is available on product registration)



See Detail B  
**VENTILATION DETAIL**



**DETAIL B: CABINET FLOOR CUT-OUT**



Installation and connection of your HydroTap must be carried out by a qualified person, observing all local, state, & federal regulations. You will require suitable 110 -120V 60Hz 15 amp power supply with a NEMA 5-15 electrical outlet within 3' of the product. The HydroTap is an air-cooled system, so discrete cabinetry cut-outs are required for ventilation. Installation on most counter tops is straightforward, however some stone counter tops may require a specialized cutting service. If using a drip tray (font) accessory, suitable drainage to a trapped waste is required within 3' of the installation. If you live in an area with hard water (more than 120ppm), we recommend installation of a scale filtration kit. Sufficient space and clearance to install the HydroTap as detailed in the product installation guidelines is required. Installation by Zip Professional Service can be arranged with a phone call to 1-833-233-2358 or through [www.us.zipwater.com](http://www.us.zipwater.com)