



CHROME
01038375



BRUSHED CHROME
01038376



MATTE BLACK
01038377



ROSE GOLD
01038378



BRUSHED GOLD
01038379



NICKEL
01038380



BRUSHED NICKEL
01038381

HYDROTAP® CUBE FOR HOME

BOILING | **CHILLED**

The stylish HydroTap Cube BC will elevate your drinking water, with on demand boiling and chilled water, advanced smart technology, beautiful design and high filtration for healthier living. Unbottle the future. Choose sustainable hydration with HydroTap by Zip Water - the world's most advanced drinking water system.

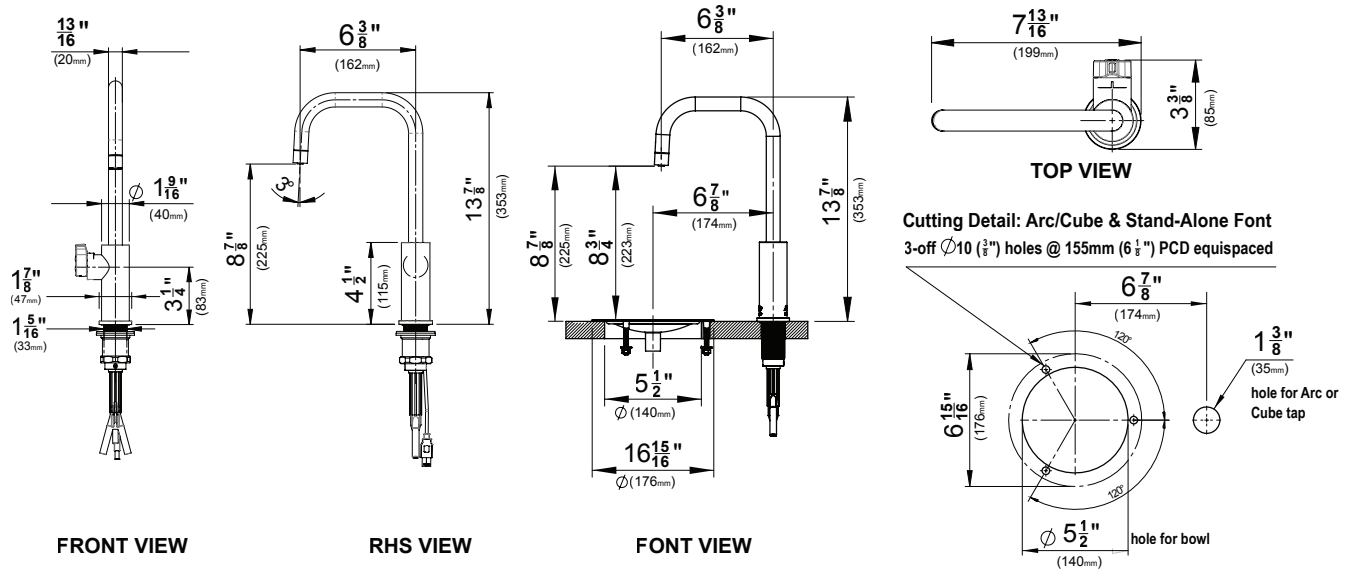
HYDROTAP® CUBE FOR HOME

BOILING | CHILLED



TAP SPECS

| | |
|--------------------|---|
| Style | HydroTap Cube-includes child safety lock |
| Hole Size | 1 3/8" |
| Available Finishes | Chrome, Brushed Chrome, Matte Black, Rose Gold, Brushed Gold, Nickel & Brushed Nickel |
| Installation | Over Sink or On Drip Tray (Optional Font - see accessories) |
| Flow rate | Max 1.8gpm |



ORDER CODES FOR PRODUCTS

| | |
|----------|----------------------------------|
| 01038375 | BC100/75 - Cube (Chrome) |
| 01038376 | BC100/75 - Cube (Brushed Chrome) |
| 01038377 | BC100/75 - Cube (Matte Black) |
| 01038378 | BC100/75 - Cube (Rose Gold) |
| 01038379 | BC100/75 - Cube (Brushed Gold) |
| 01038380 | BC100/75 - Cube (Nickel) |
| 01038381 | BC100/75 - Cube (Brushed Nickel) |

ORDER CODES FOR OPTIONAL FONTS

| | |
|----------|---|
| 01034269 | Drip Tray, Design Range Font (Chrome) |
| 01034270 | Drip Tray, Design Range Font (Brushed Chrome) |
| 01034271 | Drip Tray, Design Range Font (Matte Black) |
| 01034272 | Drip Tray, Design Range Font (Rose Gold) |
| 01034273 | Drip Tray, Design Range Font (Brushed Gold) |
| 01034274 | Drip Tray, Design Range Font (Nickel) |
| 01034275 | Drip Tray, Design Range Font (Brushed Nickel) |

ORDER CODES FOR SCALE FILTER KITS

| | |
|----------|---|
| 01037874 | Zip Scale Filter Installation Kit G4 2250 Liter [595gal] - FL250G4 |
| 01037875 | Zip Scale Filter Installation Kit G4 3750 Liter [990gal] - FL500G4 |
| 01037876 | Zip Scale Filter Installation Kit G4 7000 Liter [1850gal] - FL1000G4 |
| 01037877 | Zip Scale Filter Installation Kit G4 10000 Liter [2640gal] - FL1500G4 |

ORDER CODES FOR REPLACEMENT FILTERS

| | |
|----------|---|
| 01034276 | Filter, Zip, 0.2 Micron, 1 Size - 93701 |
| 01034278 | Filter, Zip, 3 Micron, 1.5 Size - 93703 |

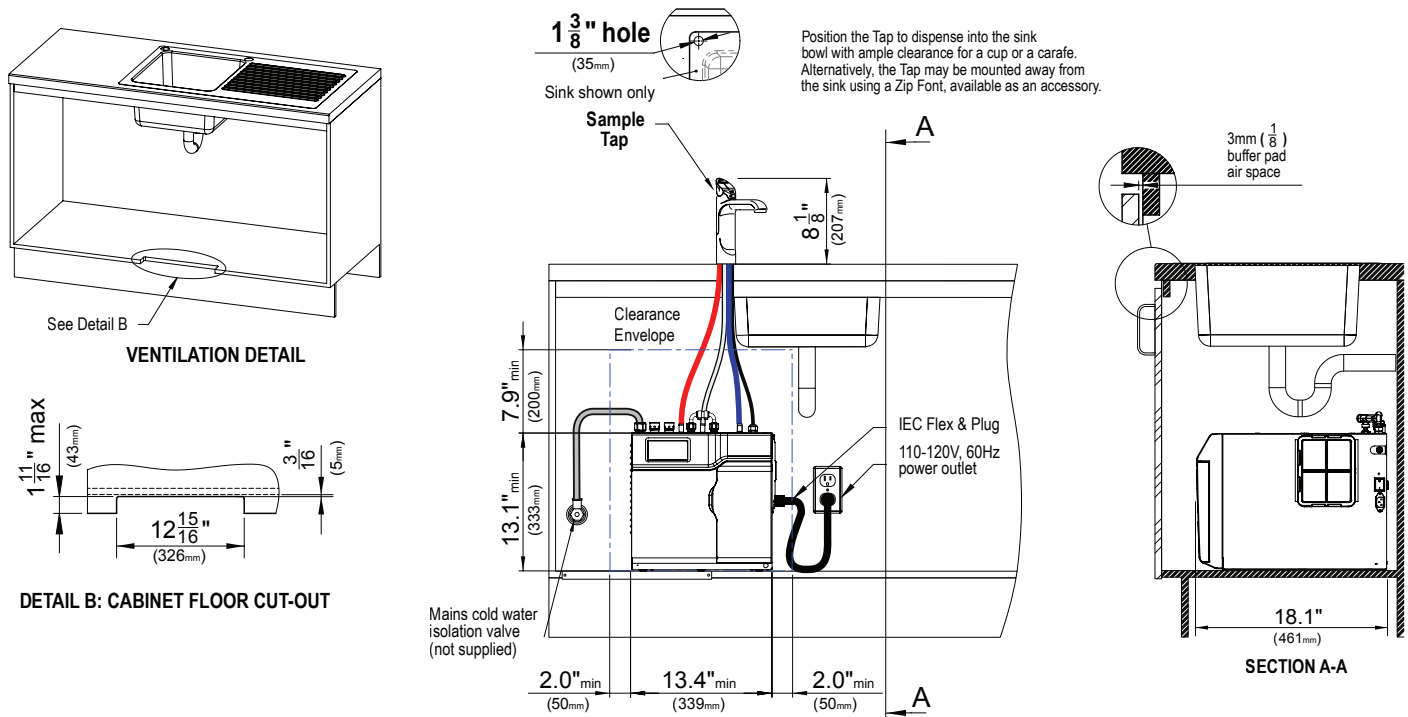
HYDROTAP® CUBE FOR HOME

BOILING | CHILLED



COMMAND CENTER SPECS

| | |
|------------------------------|--|
| Water Pressure | Min 30psi – Max 75psi with a minimum flow rate of 1 gpm |
| Water Connection | ½" BSP - isolation valve is required within 3' of the installation |
| Integral Water Values | HydroTaps are fitted with a Dual Check Valve and a 50psi Pressure Limiting Valve |
| Water Supply Requirements | Potable drinking water supply |
| Total Dissolved Solids (TDS) | TDS Min 50ppm – Max 120ppm |
| Integral Water Filter | 0.2 micron, 1 size - Replace every 1,500 gallons or 12 months |
| Power Rating | 110-120V, 60 Hz, 1.18kW |
| Power Supply Requirements | 110-120V, 60Hz 15 amp power supply with a NEMA 5-15 outlet |
| Dimensions (WxDxH) | 13.4" x 18.1" x 13.1" |
| Minimum Air Gap | Clearances are required - 2" Left side , 2" Right side , 8" Above |
| Dry Weight | 53lbs |
| Product Approvals | WQA - NSF/ANSI 372, 42 & 53, cUL, CEC |
| Warranty | 2 years (1 year Limited Warranty plus additional 1 year Warranty is available on product registration) |



Installation and connection of your HydroTap must be carried out by a qualified person, observing all local, state, & federal regulations. You will require suitable 110 -120V 60Hz 15 amp power supply with a NEMA 5-15 electrical outlet within 3' of the product. The HydroTap is an air-cooled system, so discrete cabinetry cut-outs are required for ventilation. Installation on most counter tops is straightforward, however some stone counter tops may require a specialized cutting service. If using a drip tray (font) accessory, suitable drainage to a trapped waste is required within 3' of the installation. If you live in an area with hard water (more than 120ppm), we recommend installation of a scale filtration kit. Sufficient space and clearance to install the HydroTap as detailed in the product installation guidelines is required. Installation by Zip Professional Service can be arranged with a phone call to 1-833-233-2358 or through www.us.zipwater.com