



CHROME
01038341

BRUSHED CHROME
01038342

MATTE BLACK
01038343

HYDROTAP® CLASSIC FOR HOME

BOILING | **CHILLED** | **SPARKLING**

Elevate your drinking water with the iconic design of the HydroTap Classic BCS and get on demand boiling, chilled and sparkling water at home or at work*. Unbottle the future. Choose sustainable hydration with HydroTap by Zip Water - the world's most advanced drinking water system.

*For home or small office (maximum office size = 20 people)

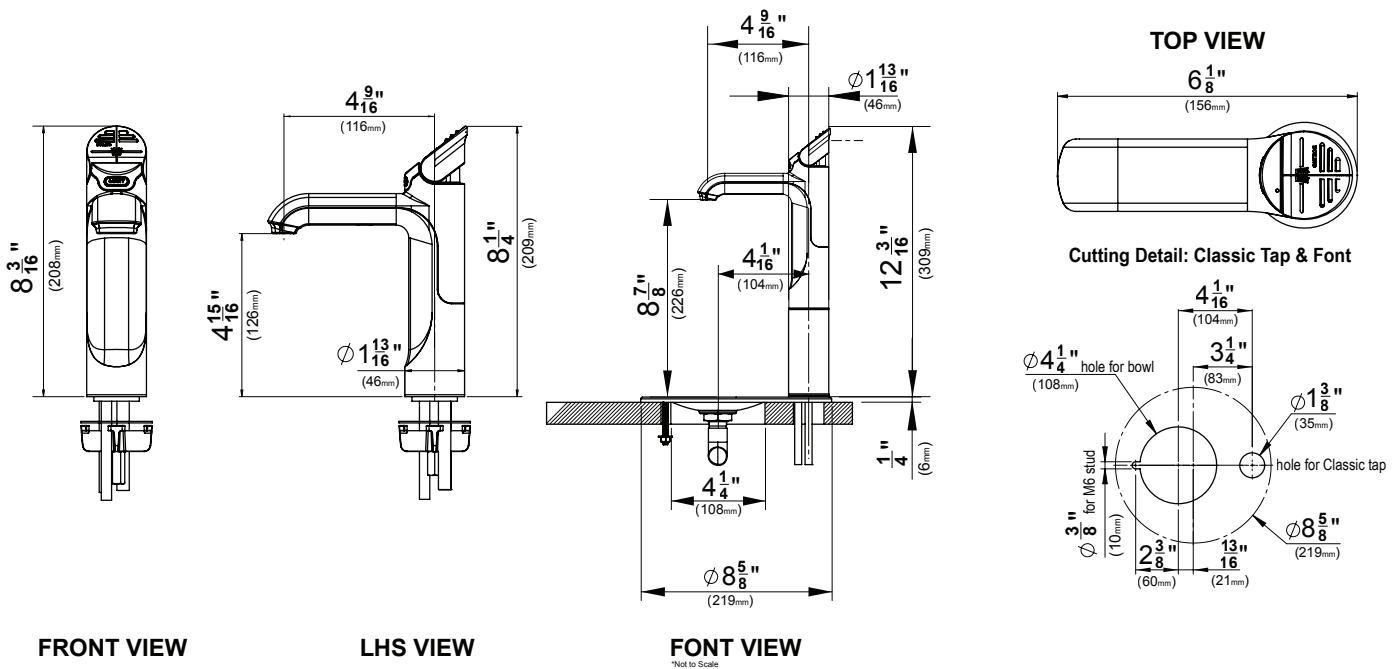
HYDROTAP® CLASSIC FOR HOME

BOILING | **CHILLED** | **SPARKLING**



TAP SPECS

Style	HydroTap Classic-includes child safety lock
Hole Size	1 3/8"
Available Finishes	Chrome, Brushed Chrome & Matte Black
Installation	Over Sink or On Drip Tray (Optional Font - see accessories)
Flow rate	Max 1.8gpm
Sparkling Water Flow Rate	0.36gpm



ORDER CODES FOR PRODUCTS

01038341	BCS100/75 - Classic (Chrome)
01038342	BCS100/75 - Classic (Brushed Chrome)
01038343	BCS100/75 - Classic (Matte Black)

ORDER CODES FOR OPTIONAL FONTS

01034266	Drip Tray, Classic Font (Chrome)
01034267	Drip Tray, Classic Font (Brushed Chrome)
01034268	Drip Tray, Classic Font (Matte Black)

ORDER CODES FOR SCALE FILTER KITS

01037874	Zip Scale Filter Installation Kit G4 2250 Liter (595gal) - FL250G4
01037875	Zip Scale Filter Installation Kit G4 3750 Liter (990gal) - FL500G4
01037876	Zip Scale Filter Installation Kit G4 7000 Liter (1850gal) - FL1000G4
01037877	Zip Scale Filter Installation Kit G4 10000 Liter (2640gal) - FL1500G4

ORDER CODES FOR REPLACEMENT FILTERS

01034276	Filter, Zip, 0.2 Micron, 1 Size - 93701
01034278	Filter, Zip, 3 Micron, 1.5 Size - 93703

ORDER CODES FOR REPLACEMENT CO₂

01034347	Zip 2 x 1.5lb CO ₂ refillable/recyclable cylinders
01034349	Zip CO ₂ Regulator

*For home or small office (maximum office size = 20 people)

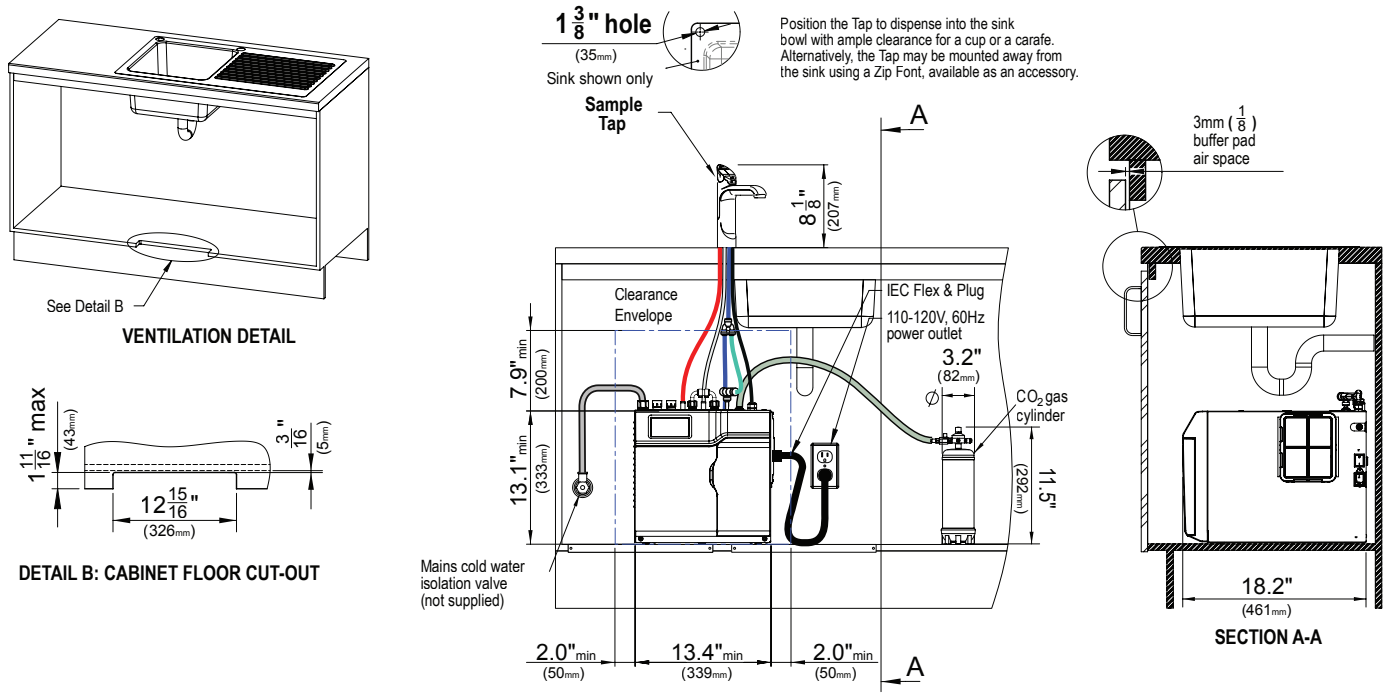
HYDROTAP® CLASSIC FOR HOME

BOILING | **CHILLED** | **SPARKLING**



COMMAND CENTER SPECS

Water Pressure	Min 30psi – Max 75psi with a minimum flow rate of 1 gpm
Water Connection	½" BSP - isolation valve is required within 3' of the installation
Integral Water Values	HydroTaps are fitted with a Dual Check Valve and a 50psi Pressure Limiting Valve
Water Supply Requirements	Potable drinking water supply
Total Dissolved Solids (TDS)	TDS Min 50ppm – Max 120ppm
Integral Water Filter	0.2 micron, 1 size - Replace every 1,500 gallons or 12 months
Power Rating	110-120V, 60 Hz, 1.25kW
Power Supply Requirements	110-120V, 60Hz 15 amp power supply with a NEMA 5-15 outlet
Dimensions (WxDxH)	13.4" x 18.2" x 13.1"
Minimum Air Gap	Clearances are required - 2" Left side , 2" Right side , 8" Above
Dry Weight	85lbs
Product Approvals	WQA - NSF/ANSI 372, 42 & 53, cUL, CEC, ADA compliant
Warranty	2 years (1 year Limited Warranty plus additional 1 year Warranty is available on product registration)
CO ₂ Cylinder	2 x 1.5lb Beverage Grade Carbon Dioxide Cylinder
CO ₂ Capacity	Approximately 950 8oz cups
CO ₂ Operating Pressure	Min 39psi - Max 43psi



Installation and connection of your HydroTap must be carried out by a qualified person, observing all local, state, & federal regulations. You will require suitable 110 -120V 60Hz 15 amp power supply with a NEMA 5-15 electrical outlet within 3' of the product. The HydroTap is an air-cooled system, so discrete cabinetry cut-outs are required for ventilation. Installation on most counter tops is straightforward, however some stone counter tops may require a specialized cutting service. If using a drip tray (font) accessory, suitable drainage to a trapped waste is required within 3' of the installation. If you live in an area with hard water (more than 120ppm), we recommend installation of a scale filtration kit. Sufficient space and clearance to install the HydroTap as detailed in the product installation guidelines is required. Installation by Zip Professional Service can be arranged with a phone call to 1-833-233-2358 or through www.us.zipwater.com

*For home or small office (maximum office size = 20 people)