



CHROME
01038365

BRUSHED CHROME
01038366

MATTE BLACK
01038367

HYDROTAP® CLASSIC FOR HOME

BOILING | **CHILLED**

Make the perfect cup of tea or pour yourself a thirst-quenching glass of chilled water with the iconic design of the HydroTap Classic BC and get on demand boiling, chilled water at home or at work*. Unbottle the future. Choose sustainable hydration with HydroTap by Zip Water - the world's most advanced drinking water system.

*For home or small office (maximum office size = 20 people)

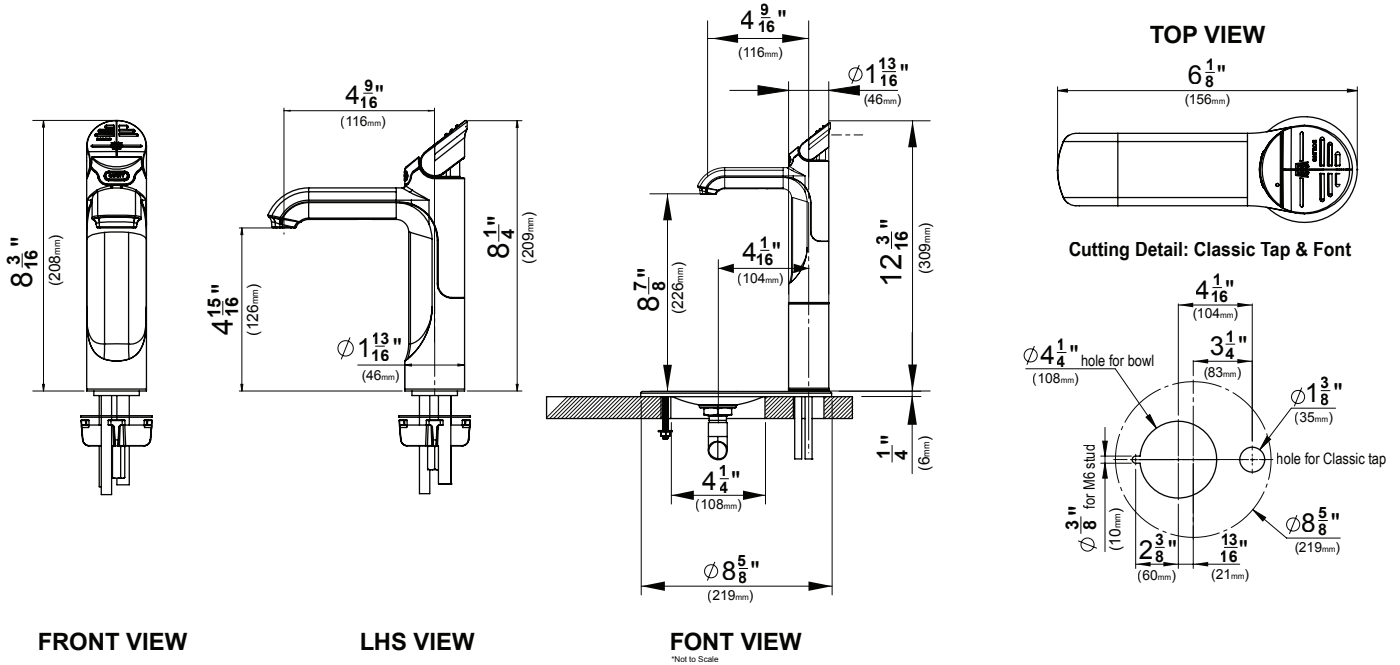
HYDROTAP® CLASSIC FOR HOME

BOILING | **CHILLED**



TAP SPECS

Style	HydroTap Classic-includes child safety lock
Hole Size	1 3/8"
Available Finishes	Chrome, Brushed Chrome & Matte Black
Installation	Over Sink or On Drip Tray (Optional Font - see accessories)
Flow rate	Max 1.8gpm



ORDER CODES FOR PRODUCTS

01038365	BC100/75 - Classic (Chrome)
01038366	BC100/75 - Classic (Brushed Chrome)
01038367	BC100/75 - Classic (Matte Black)

ORDER CODES FOR OPTIONAL FONTS

01034266	Drip Tray, Classic Font (Chrome)
01034267	Drip Tray, Classic Font (Brushed Chrome)
01034268	Drip Tray, Classic Font (Matte Black)

ORDER CODES FOR SCALE FILTER KITS

01037874	Zip Scale Filter Installation Kit G4 2250 Liter (595gal) - FL250G4
01037875	Zip Scale Filter Installation Kit G4 3750 Liter (990gal) - FL500G4
01037876	Zip Scale Filter Installation Kit G4 7000 Liter (1850gal) - FL1000G4
01037877	Zip Scale Filter Installation Kit G4 10000 Liter (2640gal) - FL1500G4

ORDER CODES FOR REPLACEMENT FILTERS

01034276	Filter, Zip, 0.2 Micron, 1 Size - 93701
01034278	Filter, Zip, 3 Micron, 1.5 Size - 93703

*For home or small office (maximum office size = 20 people)

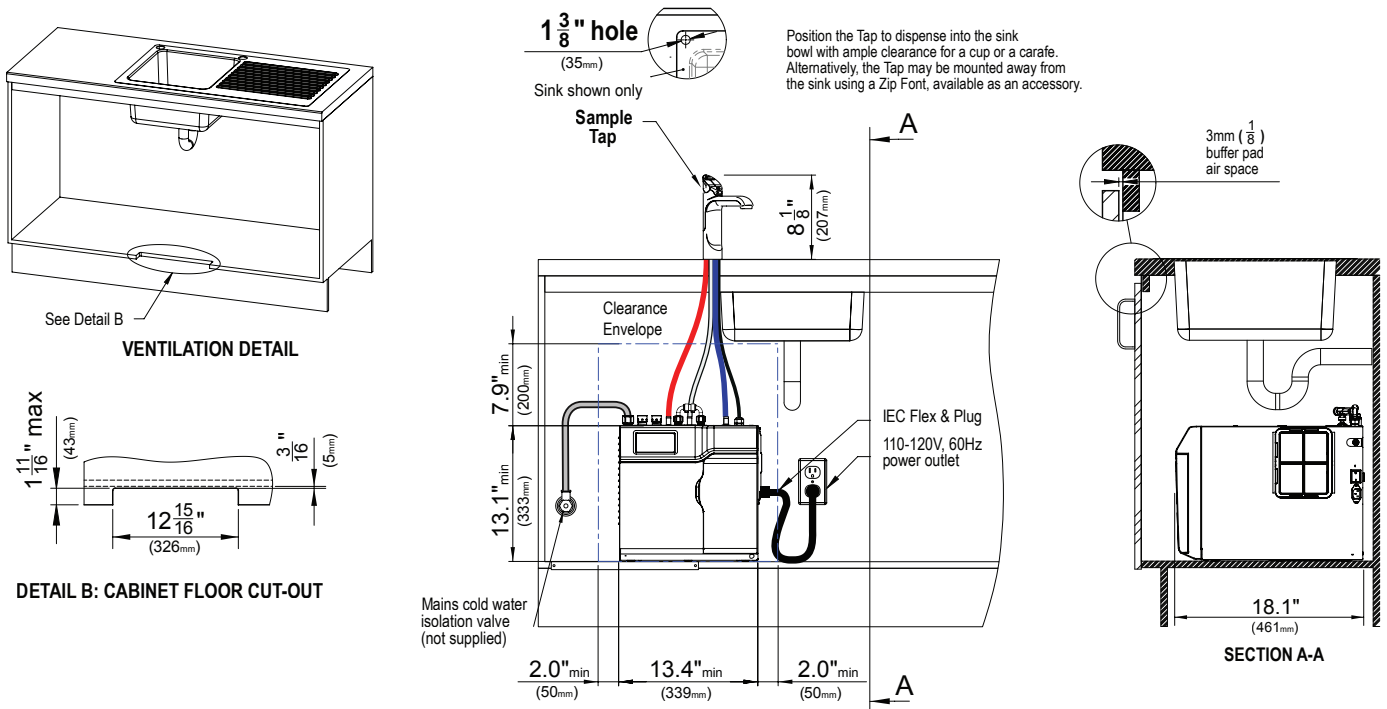
HYDROTAP® CLASSIC FOR HOME

BOILING | CHILLED



COMMAND CENTER SPECS

Water Pressure	Min 30psi – Max 75psi with a minimum flow rate of 1 gpm
Water Connection	½" BSP - isolation valve is required within 3' of the installation
Integral Water Values	HydroTaps are fitted with a Dual Check Valve and a 50psi Pressure Limiting Valve
Water Supply Requirements	Potable drinking water supply
Total Dissolved Solids (TDS)	TDS Min 50ppm – Max 120ppm
Integral Water Filter	0.2 micron, 1 size - Replace every 1,500 gallons or 12 months
Power Rating	110-120V, 60 Hz, 1.18kW
Power Supply Requirements	110-120V, 60Hz 15 amp power supply with a NEMA 5-15 outlet
Dimensions (WxDxH)	13.4" x 18.1" x 13.1"
Minimum Air Gap	Clearances are required - 2" Left side , 2" Right side , 8" Above
Dry Weight	53lbs
Product Approvals	WQA - NSF/ANSI 372, 42 & 53, cUL, CEC, ADA compliant
Warranty	2 years (1 year Limited Warranty plus additional 1 year Warranty is available on product registration)



Installation and connection of your HydroTap must be carried out by a qualified person, observing all local, state, & federal regulations. You will require suitable 110 -120V 60Hz 15 amp power supply with a NEMA 5-15 electrical outlet within 3' of the product. The HydroTap is an air-cooled system, so discrete cabinetry cut-outs are required for ventilation. Installation on most counter tops is straightforward, however some stone counter tops may require a specialized cutting service. If using a drip tray (font) accessory, suitable drainage to a trapped waste is required within 3' of the installation. If you live in an area with hard water (more than 120ppm), we recommend installation of a scale filtration kit. Sufficient space and clearance to install the HydroTap as detailed in the product installation guidelines is required. Installation by Zip Professional Service can be arranged with a phone call to 1-833-233-2358 or through www.us.zipwater.com

*For home or small office (maximum office size = 20 people)