



Origins Series

Installation Guide



1175R Refrigerator, 1175WC Wine Captain® and 1175BEV Beverage Center

www.U-LineService.com

Phone (414) 354-0300 • FAX (414) 354-7905
Service & Parts Tech Lines Phone (800) 779-2547 • FAX (414) 354-5696
OnlineService@U-Line.com

©2006 U-Line Corporation
06/2006

Contents

Exterior Cleaning 4
 Cut-Out Dimensions 4
 Product Dimensions 5
 Door Swing/Clearances Information 5
 Reversing the Door..... 6
 Other Site Requirements 7
 7
 Custom 1/4" Thick Door Panel Insert 8
 Adding a Final Finish Coat to Wood Trim..... 9
 Wood Trim Finishing 10
 Checking Door Alignment 11
 Adjusting Door Alignment 11
 Electrical Specifications 11
 Leveling Information 12
 Installation Tip 12
 Installation of the 1175R/1175WC/1175BEV 12
 Glass Shelf Installation 12
 Initial Start-Up 13
 Start-Up Troubleshooting 13
 Service Information 13

1 Follow Safety Precautions

IMPORTANT

PLEASE READ all instructions completely before attempting to install or operate the unit.

- This unit requires connection to a grounded (three-prong), polarized receptacle that has been placed by a qualified electrician in accordance with applicable electrical codes.

Safety Alert Definitions

Safety items throughout this guide are labeled with a Danger, Warning or Caution based on the risk type:

⚠ DANGER

Danger means that failure to follow this safety statement will result in severe personal injury or death.

⚠ WARNING

Warning means that failure to follow this safety statement could result in serious personal injury, or death.

⚠ CAUTION

Caution means that failure to follow this safety statement may result in minor or moderate personal injury, property or equipment damage.

General Precautions

Use this appliance for its intended purpose only and follow these general precautions along with those listed throughout this guide:

WARNING

SHOCK HAZARD — Electrical Grounding Required.

- **Keep the unit unplugged throughout installation except during testing.**
- **Never remove the round grounding prong from the plug and never use a two-prong grounding adapter.**
- **Never use an extension cord to connect power to the unit.**
- **Always keep your working area dry.**

CAUTION

- Use care when moving and handling the unit. Use gloves to prevent personal injury from sharp edges.
- Do not lift the unit by the door or door handle.
- Do not install the unit behind closed doors or in any way that would obstruct airflow to the front grille, which may cause the unit to malfunction.

2 Inspect and Plan

You have received a carton containing your 1175R Refrigerator, 1175WC Wine Captain® or 1175BEV Beverage Center with a package inside containing a Use and Care Guide and a Product Registration Card. Complete and mail the Product Registration Card or register online at www.U-LineService.com. Once your unit is installed, keep the Use and Care Guide and this Installation Guide in a safe place for future reference.

1175R units are available in Black or White vinyl clad cabinets with matching doors and in Stainless models with a stainless steel door and a black cabinet. All 1175R Black and White unit doors have a slightly contoured handle across the top and are reversible. These doors have recessed front panels that will accept a custom 1/4 inch thick door panel. 1175R units have two full and one “half” tempered glass shelves. Stainless unit doors are covered with a protective coating and have been ordered left- or right-hand hinged. The Stainless doors are not reversible and do not accept custom panels.

1175WC units are Black or Stainless. Black units have a vinyl-clad cabinet and a framed, reversible, tinted glass door. Stainless models units have a black, vinyl-clad cabinet, a stainless steel door frame, tinted glass door, a straight, vertical brushed aluminum handle and a black grille. The Stainless doors are ordered left- or right-hinged and the door is not reversible. All 1175WC units have five sliding wine racks with wood trim.

1175BEV units have a black, vinyl-clad cabinet, a stainless steel door, tinted glass door, a straight, vertical brushed aluminum handle and a black grille. They are ordered left- or right-hinged and the door is not reversible. 1175BEV units come with two maple trim wine racks that can be finished or stained and two full tempered glass shelves. They have anti-tip brackets for freestanding installations.

Please carefully follow the directions that apply to your unit and your intended design.

Tools/Materials Required

- Screwdrivers — slotted and Phillips head
- 1/4-inch thick door panel material and cutting tools (Black or White units) (If installing a 1/4” Panel)
- Sandpaper; low odor, water clean up, quick drying finish; tack cloth and, if desired, water-based wood stain and synthetic foam brush (1175WC & 1175BEV units)

Inspection

Unwrap and inspect the unit on a flat, level surface capable of supporting its entire weight.

Exterior Cleaning

(As Required)

Black and White Models:

- Black and White surfaces may be cleaned with a mild detergent and warm water solution. Do not use solvent-based or abrasive cleaners. Use a soft sponge and rinse with clean water. Wipe with a soft, clean towel to prevent water spotting.

Stainless Models:

- Stainless door panels, handles and frames can discolor when exposed to chlorine gas, pool chemicals, salt water or cleaners with bleach.
- Clean any glass door fronts with a non-chlorine glass cleaner.
- Keep your Stainless unit looking new by cleaning with a good quality all-in-one stainless steel cleaner/polish on a monthly basis. For best results use Claire Stainless Steel Polish and Cleaner, which can be purchased from U-Line Corporation. (The part number is 173348.) Comparable products are acceptable. Frequent cleaning will remove surface contamination that could lead to rust. Some installations may require cleaning on a weekly basis.
- **Do not clean with steel wool pads.**
- **Do not use stainless steel cleaners/polishes on any glass surfaces.**
- **Do not use cleaners that are not specifically intended for stainless steel on stainless surfaces (this includes glass, tile and counter cleaners).**
- If any surface discolors or rusting appears, clean it quickly with Bon-Ami or Barkeepers Friend Cleanser and a non-abrasive cloth. Always clean in the direction of the grain. Always finish this process with Claire Stainless Steel Polish and Cleaner or comparable product to prevent further problems.
- **Use of abrasive pads such as Scotchbrite will cause the graining in the stainless to become blurred.**
- Rust that is allowed to linger can penetrate into the surface of the stainless steel and complete removal of the rust may not be possible.

3 Prepare Site

Your U-Line product has been designed for either free-standing or built-in installation. When built-in, your unit does not require additional air space for top, sides or rear. However, the front grille must NOT be obstructed and clearance is required for electrical connection in the rear.

Note: Unit can NOT be installed behind a closed cabinet door.

Cut-Out Dimensions

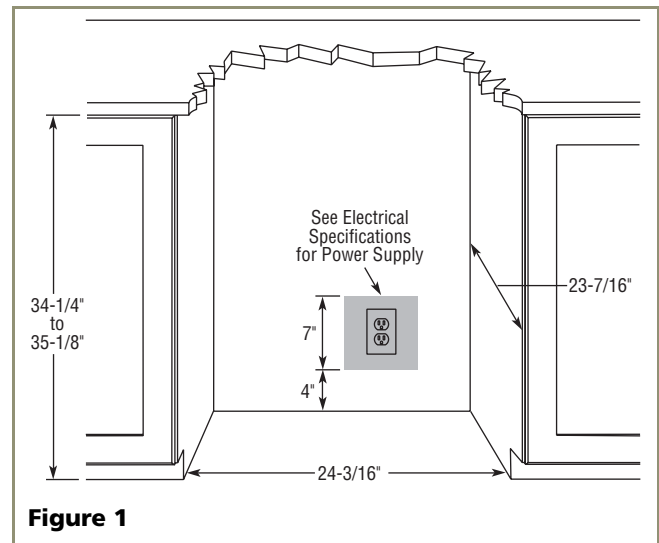


Figure 1

Follow the cut-out drawing in **Figure 1**. The 24-3/16" width allows 1/4" for ease in installation and removal of the unit. 24" is the cabinet depth in most installations. The unit is 23-7/16" deep including the door and *not* the handle on Stainless models (see **Figure 2**).

Product Dimensions

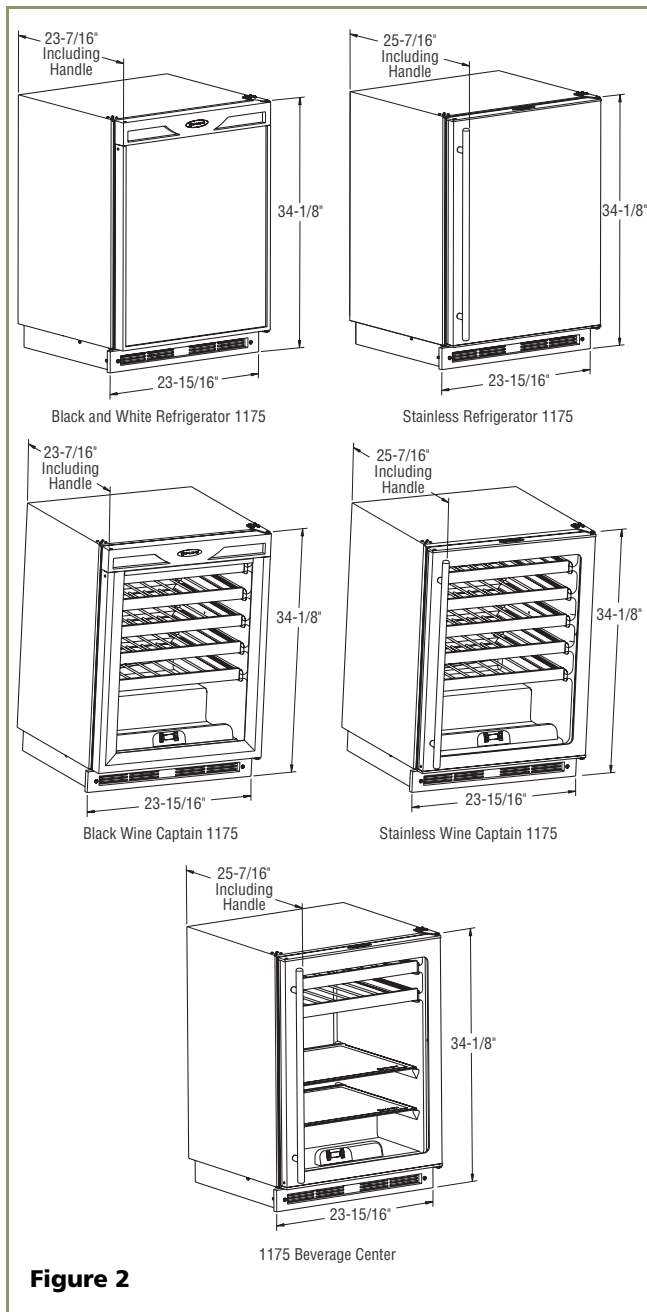


Figure 2

Please note that the unit has adjustable feet that can add one additional inch to height during leveling or to match adjacent cabinets (see **Figure 19** on **Page 12**).

Door Swing/Clearances Information

All 1175 units have a zero clearance for the door to open 90° (see **Figure 3**). Stainless units require a minimum of 2" door clearance to accommodate the handle if the unit is installed next to a wall or similar type of structure.

Note: A 1175 BLACK Wine Captain® must be able to have door swing open a minimum of 135°. If placement of unit does not allow this, door MUST be reversed.

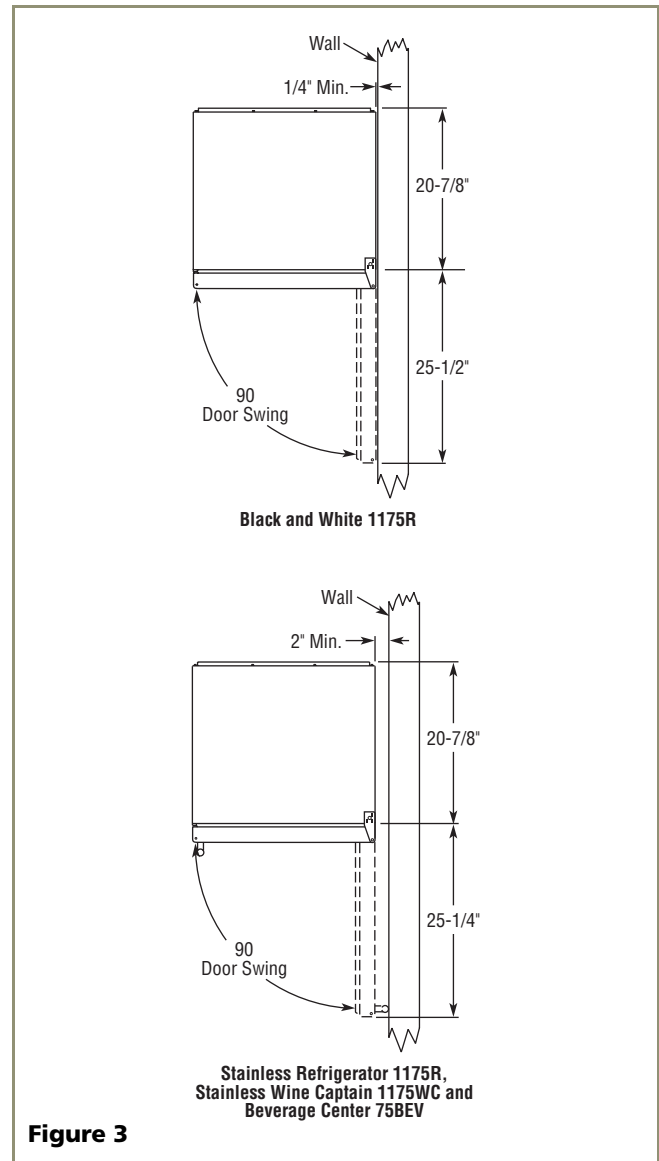


Figure 3

Reversing the Door

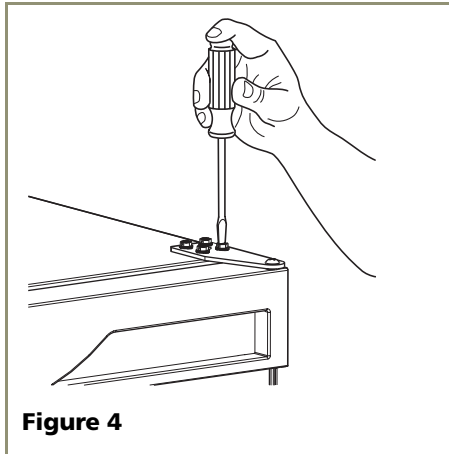
(1175 Black & White Units Only)

All units may be left- or right-hand opening (All Stainless Steel and 1175 Beverage Center units cannot be field-reversed).

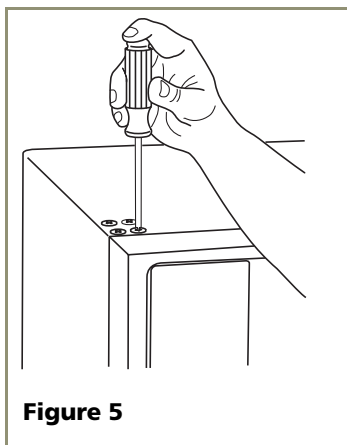
Black and White 1175 Units

To reverse the door on Black or White 1175 models:

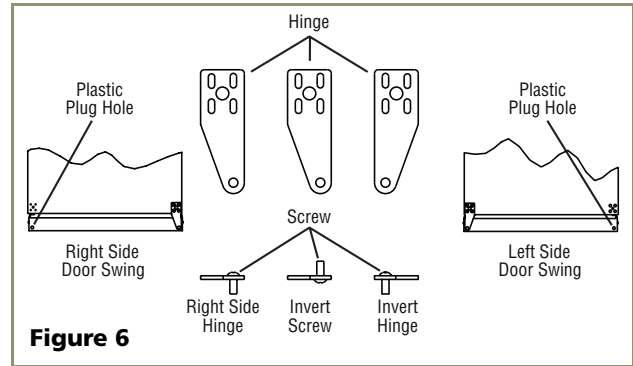
1. Remove the grille (two screws).



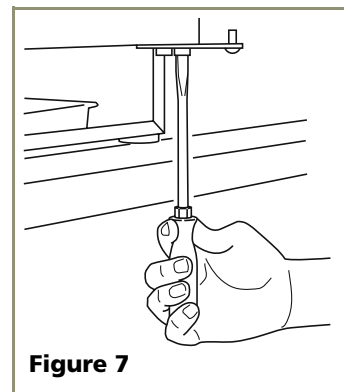
2. Remove top hinge from cabinet (four screws) (**Figure 4**). Hold door to keep it from falling.
3. Lift the door off the bottom hinge.



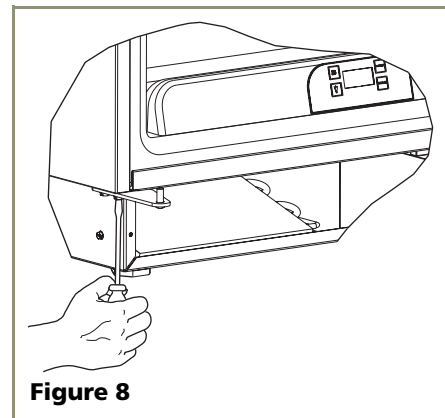
4. Remove four plastic plugs (**Figure 5**) in hinge holes, top of cabinet, opposite side. Be careful not to scratch cabinet.



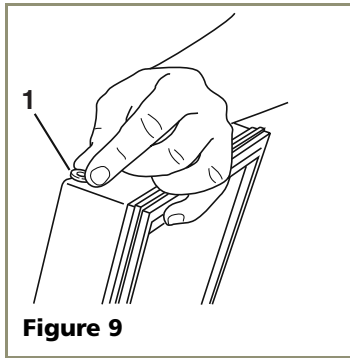
5. Remove pivot screw from top hinge, invert screw and reinstall pivot screw in top hinge (**Figure 6**). Do not install hinge on cabinet at this time.



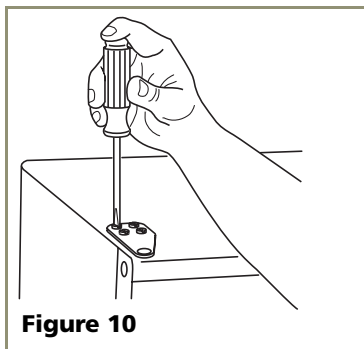
6. Remove bottom hinge from cabinet (four screws) and screws on opposite side of cabinet (**Figure 7**).
7. Remove pivot screw from bottom hinge, invert screw and reinstall pivot screw in hinge (**Figure 6**).



8. Install bottom hinge on cabinet, opposite side, aligning flat edge of hinge with outer edge of unit (**Figure 8**). Partially tighten screws.



9. Relocate plastic spacer/bushing (**Figure 9**) on bottom of door to the opposite side. Clean out bushing hole in door bottom if necessary.



10. Place door on lower hinge pin. Align flat edge of top hinge with outer edge of unit and fasten upper hinge to unit (four screws) (**Figure 10**). Partially tighten screws until door is aligned.
11. Adjust door to assure proper seal. Tighten upper and lower hinge screws securely.
12. Replace four plastic plugs removed in Step 4 into holes on top of unit. Replace screws in holes in bottom of unit on opposite side.
13. Replace the grille.

Other Site Requirements

Power Supply

The unit requires a grounded and polarized 115 VAC, 60 Hz, 15A circuit (normal household current). See Electrical Specifications on **Page 11**.

Environmental Requirements

Many U-Line models are designed to operate in harsh outdoor/marine environments. Special considerations include the following:

(1175 REFRIGERATOR requirements)

- The units are designed to operate between 50°F (10°C) and 110°F (40°C). High ambient temperatures (110°F [40°C] or higher) may reduce the unit's ability to reach low temperatures and may also reduce the ice production rate for those models with icemakers.
- If the ambient temperature is expected to drop below 45°F (7°C), drain all water from the unit to prevent freezing damage not covered by the warranty.
- For best performance, keep the unit out of direct sunlight and away from heat generating equipment.
- For best performance and life outdoors, place under a counter or provide shelter of some kind.
- In climates where high humidity and dew points are present, condensation may appear on outside surfaces. This is considered normal. The condensation will disappear when the humidity drops.

(1175 WC & 1175 BEV requirements)

- The units are designed to operate between 50°F (10°C) and 110°F (40°C). High ambient temperatures (110°F [40°C] or higher) may reduce the unit's ability to reach low temperatures.
- For best performance, keep the unit out of direct sunlight and away from heat generating equipment.
- In climates where high humidity and dew points are present, condensation may appear on outside surfaces. This is considered normal. The condensation will disappear when the humidity drops.
- U-Line does not recommend installation of glass front models (Wine Captain® wine storage models and Beverage Centers) as well as the Combo Drawer model (Refrigerator/Freezer/Ice Maker) outdoors, or in tropical climates where high humidity and dew point are present on a regular basis, unless air-conditioning (typical 72°F, 75%RH) will be used.

Side-By-Side Installation Instructions

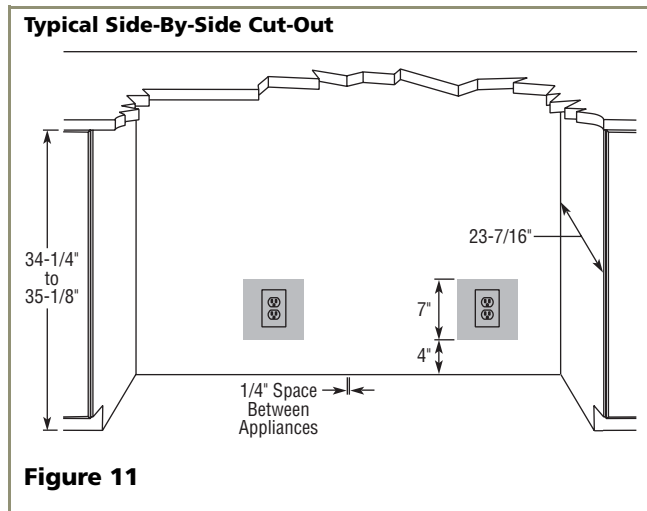
For a complete refreshment center, install two of the following 1175 series units side by side: 1175R, 1175WC or a 1175 BEV Center. Note that each Side-By-Side Installation will be different.

- Cut-out width for a side-by-side installation is the total of the widths listed under *Cut-Out Dimensions* in each unit's Installation Guide.

For example:

Placing a 1175R next to another 1175 series unit would require a cut-out width of:
 $24\text{-}3/16" + 24\text{-}3/16" = 48\text{-}3/8"$

- No trim kit is required. However, 1/4-inch space needs to be maintained between the units to ensure unobstructed door swing.
- Units must operate from separate, properly grounded electrical receptacles placed according to each unit's *Electrical Specifications*.



4 Prepare/Install Door Panel or Prepare Racks

Three types of custom treatments may be involved in your installation:

- Black and White 1175R Refrigerators will accept a Custom 1/4" Thick Insert to harmonize with or accent the surrounding decor.
- 1175WC & 1175BEV Beverage Centers are equipped with maple-trimmed wine racks that are coated at the factory with a clear vinyl sealer, which will adequately protect the wood in normal usage. A final finish coat was not applied so that the wood trim could be stained to match décor. The trim on the racks may be coated with a final finish or stained.

If none of these treatments are to be included in this installation, go on to **5 Adjust Door**.

Custom 1/4" Thick Door Panel Insert

Door Panel Preparation

A custom door panel can be inserted into the doorframe. Custom door panels can be flat or raised, as long as the maximum panel thickness where inserted into the door reveal (channel) is 1/4"-thick. For raised panels, the depth of the reveal is 1/4" on all four sides.

IMPORTANT

Raised panels will reduce the door's 90° swing/zero clearance if the unit is installed next to a wall or similar type of structure.

Cut the panel insert to the following dimensions.

Custom 1/4" Dimensions for **1175 Black & White units:**

Width: 22-15/16"

Height: 26-15/16"

Custom 1/4" Dimensions for **1115 Black units:**

Width: 13-15/16"

Height: 26-15/16"

The door panel must not weigh more than 20 lbs.

Door Panel Installation

Install the insert as follows:

CAUTION

Use care when handling the insert. Insert edges may be sharp.

1. Remove top hinge screw pin with Phillips head screwdriver. Remove door by tilting forward and lifting off bottom hinge pin.

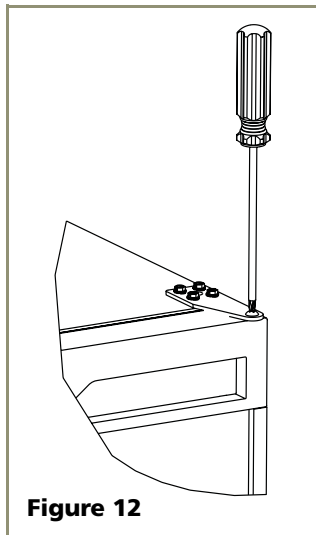


Figure 12

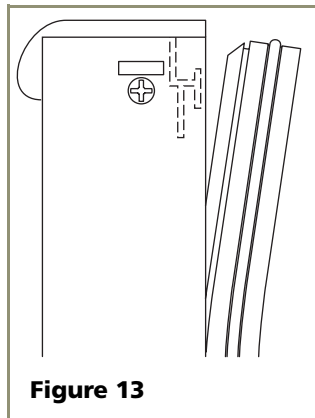


Figure 13

2. Pull door gasket out of groove (top edge of door only). Start in the middle and pull outward, moving toward the edge (see **Figure 13**). This may take some force.
3. Remove two outside screws holding door handle. Slightly separate door handle from door (see **Figure 14**).
4. Pull handle up and off.

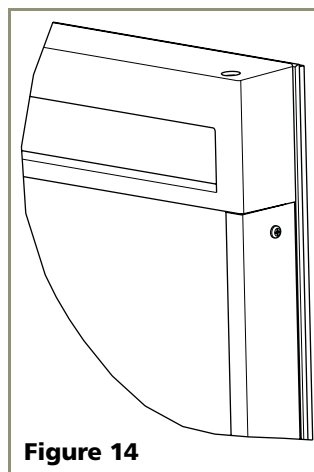


Figure 14

IMPORTANT

Use care not to damage magnet, located on door bottom when installing door insert. Do not set door on bottom edge when pushing insert into place.

5. Slide custom door panel insert into 1/4-inch channel in door front.
6. Holding door gasket out of the way, replace handle on door, making sure it is seated properly on insert and that screw holes line up.
7. Install two small screws removed in **Step 3**.
8. Starting at the corners and working inward, push door gasket into place on door.
9. Place door on bottom hinge pin and install upper hinge screw.
10. Go on to **5 Adjust Door**.

CAUTION

To prevent permanent damage to the inner liner of the Beverage Center and the Wine Captain, the wine rack wood trim **MUST** be removed from the unit for staining and/or finishing. Allow stain/finish to dry thoroughly (at least 24 hours per coat) in accordance with the stain/finish manufacturer's instructions prior to re-installing the wood trim inside the cabinet of the Beverage Center or the Wine Captain. Failure to do so may cause the inner liner of the unit to have a permanent odor, which is not covered by the warranty.

Adding a Final Finish Coat to Wood Trim

(75BEV Beverage Center and 1175 Wine Captain Units)

To remove a rack from the cabinet:

1. Grasp the end of the rack, and gently slide it out until it stops.
2. Remove any bottles stored on the rack.

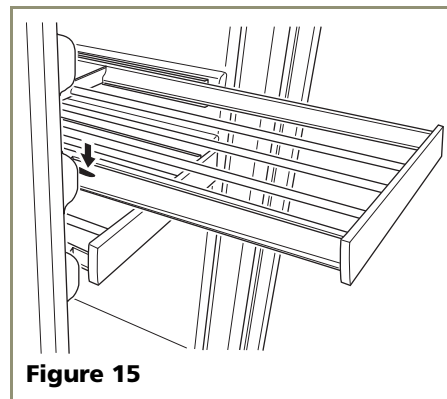


Figure 15

3. Press the left rack release lever (**Figure 15**) down, and at the same time, lift the corresponding right rack release lever up, and pull the rack out until it is free of the tracks and the cabinet.

IMPORTANT

Do not remove the track side rails from the cabinet.

To insert a rack in the cabinet:

1. Align the left and right rack channels with the tracks in the cabinet, and ensuring an even track engagement on both sides, gently push the rack into the cabinet until it stops.
2. Before reloading the rack, ensure proper operation of the travel stops in the left and right track rails by pulling the rack out gently until it completely stops.

Wood Trim Finishing

Interior components of your U-Line unit are equipped with a natural wood trim for appearance and durability. Although this wood trim has been coated with a clear sealer at the factory, it is recommended that the trim be stained (if desired), and receive a final finish coating prior to the unit going into full-time service.

WARNING

To prevent permanent damage to the inner liner of your unit, the wood trim MUST be removed from the unit for staining and/or finishing. Allow stain/finish to dry thoroughly (at least 24 hours per coat) in accordance with the product manufacturer's instructions prior to reinstallation. Failure to do so may cause the inner liner of the unit to have a permanent odor, which is not covered by the warranty.

If staining the trim is desired, it must be done before the application of any type of final finish. Review the following staining/final finish and final finish-only guidelines when staining/ and or sealing the wood to ensure proper adhesion and durability of the finish.

NOTE: Glass in door is tinted. Stain may look darker when door is closed.

Staining and final finish application:

1. Remove all screws securing wood trim to interior components, and remove the trim from the cabinet interior.

NOTE: Your model may contain an electronic display panel in the lowest level trim piece. After removing the trim screws, and gently pulling the trim from its location, a wiring harness connector will become visible. Unplug the connector, and remove the trim from the interior.

IMPORTANT

DO NOT use oil-based stains on wood trim. Vapors from oil-based stains will permanently penetrate the liner and will not dissipate over time.

2. Apply Minwax® Water-Based Wood Stain to wood with a synthetic bristle brush or a foam applicator. Allow stain to penetrate approximately three minutes. Before the stain is dry, take a stain dampened rag and remove any excess stain remaining. Wipe in the direction of the grain with medium pressure to achieve the desired stain color.
3. After two hours, repeat step 2. This will even out the color of the wood.
4. Allow stain to dry for a minimum of three hours before applying the final finish.
5. If desired, sand the wood with very fine sandpaper to smooth the surface after the staining process.

6. Remove all dust from the wood, and apply one coat of Minwax® Polycrylic® Protective Finish using a synthetic bristle brush to the wood. This finish should be applied in a thin coat following the direction of the grain. Apply the finish to the back and sides of the wood first, and allow it to dry for two hours. Apply the finish to the front side of the wood next, and allow it to dry for two hours. Sand with very fine 220 grit sandpaper. Apply two additional coats of the finish in the same manner, but do not sand the trim after the final third coat is applied.
7. Allow the final coat to dry for 24 hours before reinstalling the trim to the cabinet interior components.

Final finish-only application:

1. Remove all screws securing wood trim to interior components, and remove the trim.
2. Lightly scuff sand the wood trim with 280 or finer grit sandpaper.
3. Remove sanding dust with a clean, dry cloth.
4. The factory-applied seal is compatible with virtually all finishes. A low odor, water clean up, quick-drying finish such as Minwax® Polycrylic® Protective Finish is recommended (Minwax® Polycrylic® is an ultra fast-drying water-based finish). Apply a thin coat of a clear, protective finish, following the container label directions.
5. Lightly sand and reapply if desired.
6. Allow the final coat to dry for 24 hours before reinstalling the trim to the cabinet interior components.

5 Adjust Door

Checking Door Alignment

The unit's door is aligned at the factory before shipment. However, its alignment could have been disturbed during shipment or during door panel installation.

IMPORTANT

Properly aligned, the door's gasket should be firmly in contact with the cabinet all the way around the door (no gaps).

1. Carefully examine the door's gasket to assure that it is firmly in contact with the cabinet.

Note: When inspecting door alignment, make sure the light switch bracket makes contact with the light switch plunger. Also make sure the door gasket is not pinched on the hinge side of the door.

2. If the door is properly aligned, go on to **6 Prepare Power Supply**. If it is not, use the following procedure.

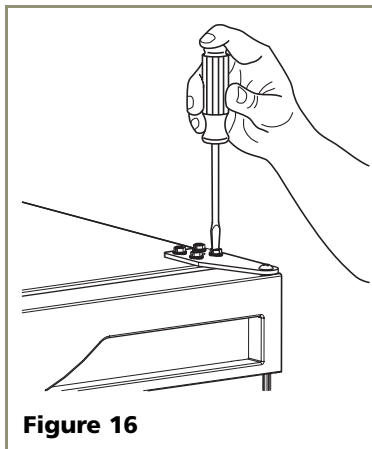
Adjusting Door Alignment

IMPORTANT

Properly aligned, the door's gasket should be firmly in contact with the cabinet all the way around the door (no gaps). Carefully examine the door's gasket to assure that it is firmly in contact with the cabinet. Also make sure the door gasket is not pinched on the hinge side of the door.

1175R, 1175WC and 1175BEV Units

1. Loosen (do not remove) top and bottom hinge screws. See **Figure 16**.
2. Align door squarely with cabinet. Make sure gasket is firmly in contact with cabinet all the way around the door (no gaps).
3. Tighten bottom hinge screws.
4. Tighten top hinge screws. Go on to **6 Prepare Power Supply**.



6 Prepare Power Supply

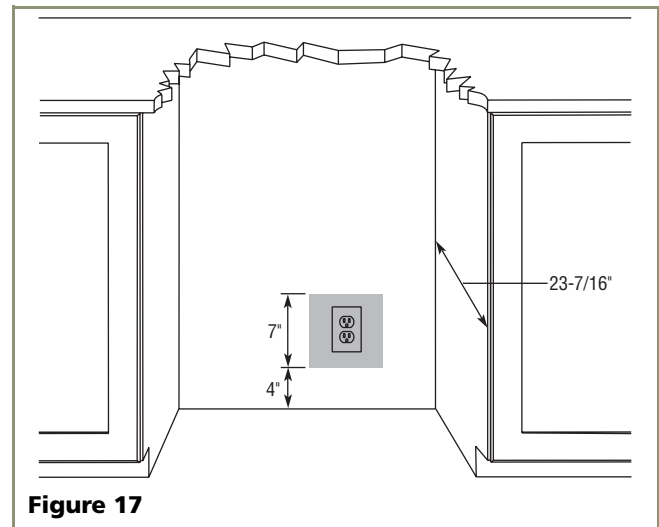
Electrical Specifications

⚠ CAUTION

Electrical installation must observe all state and local codes. This unit requires connection to a grounded (three-prong), polarized receptacle that has been placed by a qualified electrician.

The unit requires a grounded and polarized 115 VAC, 60 Hz, 15A power supply (normal household current). An individual, properly grounded branch circuit or circuit breaker is recommended. GFCI (ground fault circuit interrupter) is usually not required for fixed location appliances and is not recommended for your unit because a GFCI could be prone to nuisance tripping. However, be sure to consult your local codes.

See **Figure 17** for recommended receptacle location.



⚠ WARNING

SHOCK HAZARD — Electrical Grounding Required.

- Never remove the round grounding prong from the plug and never use a two-prong grounding adapter.
- Never use an extension cord to connect power to the unit.

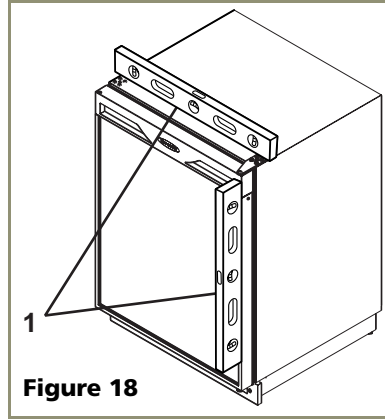
Go on to **7 Level the Unit**.

7 Level the Unit

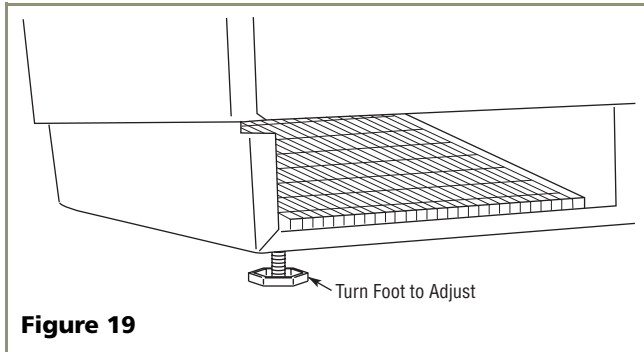
Leveling Information

Note: It is recommended that the unit is level.

1. Use a level to check the levelness of the unit from front to back and from side to side. Level should be placed along top edge and side edge as shown (see **Figure 18**).



2. If the unit is not level, adjust the feet on the corners of the unit as necessary (see **Figure 19**).



3. Check the levelness after each adjustment and repeat the previous steps until the unit is level. Go on to **8 Install the Unit**.

Installation Tip

If the room floor is higher than the floor in the cut-out opening, adjust the rear feet to achieve a total unit rear height of 1/8" less than the opening's rear height. Shorten the unit height in the front by adjusting the front feet. This allows the unit to be gently tipped into the opening. Readjust the front feet to level the unit after it is correctly positioned in the opening.

8 Install the Unit

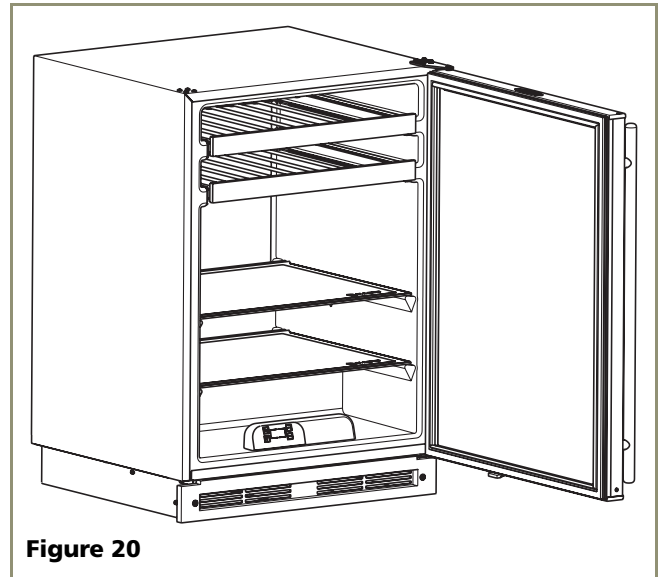
Installation of the 1175R/1175WC/1175BEV

1. Plug in the power cord.
2. Gently push the unit into position. Be careful not to entangle the electrical cord.
3. Re-check the leveling, from front to back and side to side. Make any necessary adjustments. The unit's top surface should be approximately 1/8" below the countertop.

Glass Shelf Installation

(1175R Refrigerator and 1175BEV Beverage Centers)

1. Carefully remove the glass shelves from the packaging.
2. Slide the shelves onto lower sets of ribs, making sure the decorative graphics are on the underside of the shelves. **Figure 20**.



Origins Series

9 Start-Up for the First Time

Initial Start-Up

The unit is shipped with the control preset. No other adjustments should be necessary at this time. For information about Adjusting the Controller, see the Use and Care Guide.

Start-Up Troubleshooting

Q: Problem

Unit does not appear to turn on when plugged in.

A: Solution

Make sure outlet has power (circuit breaker has not tripped).

IMPORTANT

See the Use and Care Guide's *Troubleshooting Guide* for more solutions.

Who to Call

Service Information

If the need for service arises, call the U-Line Customer Care Center directly @ **800-779-2547**. To ensure accurate assistance, please have your Model Number and Serial Number and an explanation of the problem. The Model and Serial Number plate is located inside unit at upper right hand corner.

If you need to locate a service company, you can go online at **www.U-LineService.com** and search for a service company by zip code.

For more than four decades, U-Line has distinguished itself as the leader in built-in undercounter ice making, refrigeration and wine storage appliances.

U-Line Corporation, located in Milwaukee, WI, is a family operated manufacturer of built-in undercounter icemakers, Combo® icemaker/refrigerators, Wine Captain® wine storage units, refrigerators, refrigerated drawers and refrigerator/freezers.