

**FF1410W**

69.5" x 26.0" x 26.0" (H x W x D)

Large capacity refrigerator-freezer with frost-free operation and unique 26" footprint

**Highlights:**

Unique 26 inch footprint fits easily in tight kitchens

Deluxe interior is fully featured for storage convenience

True frost-free operation saves on maintenance by preventing icy buildup

Generous storage capacity inside

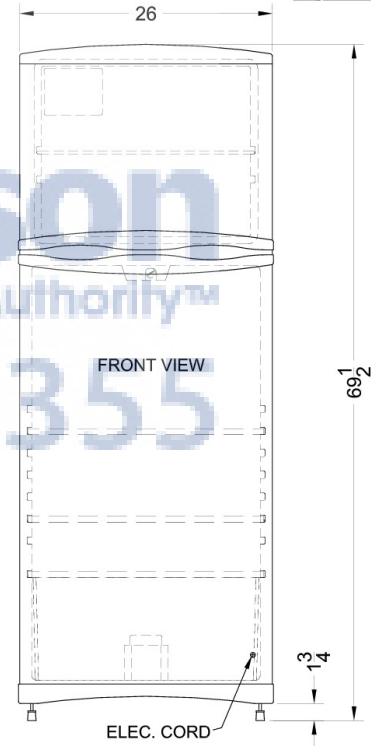
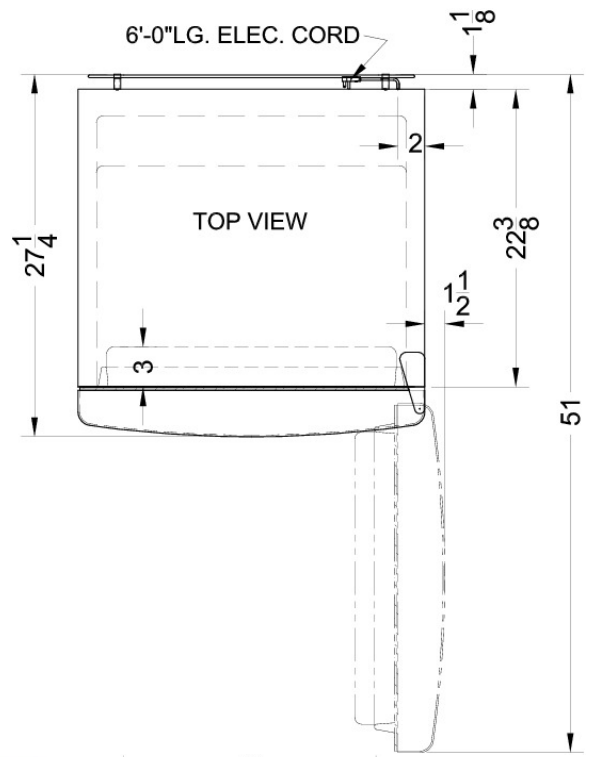


**AjMadiso**  
Your Appliance Authority™  
**800-570-3355**

Frost-free operation	Let your appliance do the work with a timer defrost heater that continuously keeps ice from building up inside
26" footprint	Perfectly sized for tight spaces
Large capacity	Over 12 cubic feet of storage inside
Factory reversible doors	Order right or left hand door swing upon ordering
Interior light	Automatically illuminates when you open the door
Adjustable glass shelves	Rearrange your refrigerator space to accommodate all shapes and sizes or remove shelves for a simple clean-up
Fruit and vegetable crisper	Get the longest life and best taste out of produce by storing it in a convenient slide drawer
Door storage	Store large bottles right on the door for easy access
Adjustable thermostat	Control your food's temperature with ease and accuracy
Full freezer shelf	Allows you to better separate those TV dinners from your ice cream

## Specifications:

Height	69.5"
Width	26.0"
Depth	26.0"
Capacity	12.5 cu.ft.
Interior Height 1	40.0"
Interior Width 1	21.25"
Interior Depth 1	19.5"
Interior Height 2	16.0"
Interior Width 2	20.5"
Interior Depth 2	15.25"
Comp Step Height	8.0"
Comp Step Width	21.0"
Comp Step Depth	6.0"
Shipping Weight	190.0 lbs.
Voltage/Frequency	115 V AC/60 Hz
Energy Usage/Year	419.0 kWh/year
Crisper Quantity	1
Shelf Quantity	2
Adjustable Shelf	true
Shelf Type	Glass
Crisper Cover Type	Glass
Crisper Finish	Transparent
Full Door Shelf Quantity	6
Depth with door at 90°	51.0"
Defrost Type	Frost-Free
Light	true
Thermostat Type	Dial
Condensor Location	Rear of Unit
Freon Type	R134a
Level Legs Quantity	2
Parts/Labor Warranty	1 Year
Compressor Warranty	5 Years



**AjMadison**  
Your Appliance Authority™  
800-570-3355

Summit Appliances Division, Felix Storch, Inc.  
770 Garrison Ave • Bronx, NY 10474  
Phone: 718-893-3900 • Fax: 718-842-3093  
Email: info@summitappliance.com