

**FF1425SS**

69.5" x 26.0" x 26.0" (H x W x D)

Household refrigerator-freezer with frost-free operation, stainless steel door, and unique 26" width

**Highlights:**

Slim 26 inch width ideal for small kitchens

Deluxe interior is fully featured and full of space

Stainless steel door brings modern style to any setting

True frost-free operation saves you maintenance by preventing icy buildup

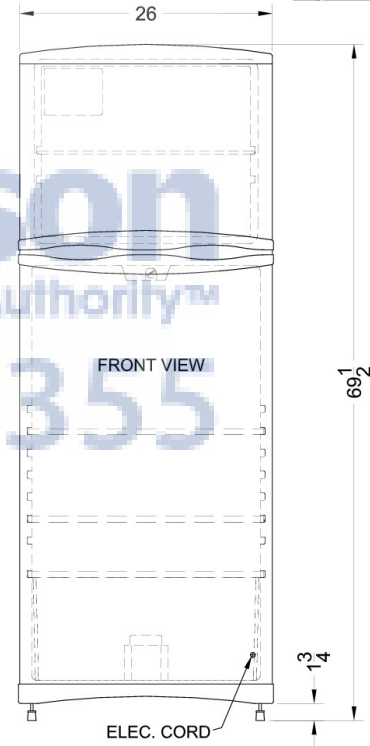
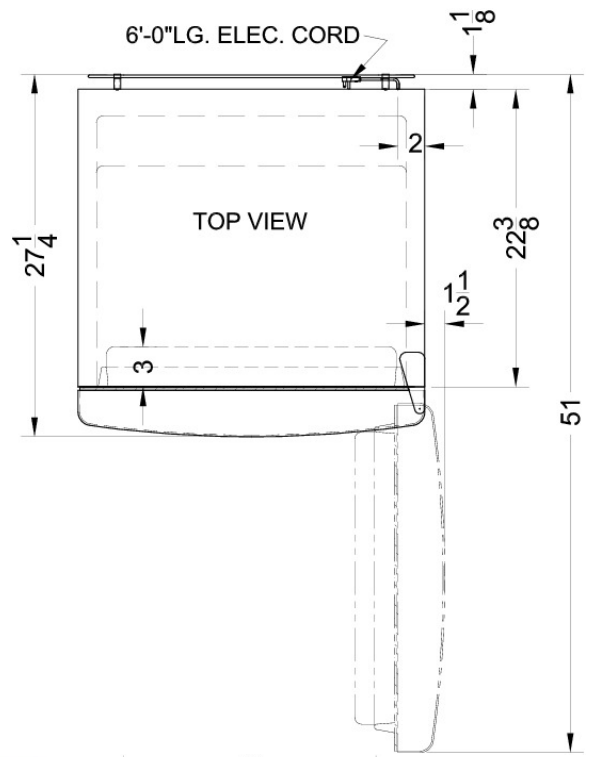


**AjMadison**  
Your Appliance Authority  
800-570-3355

Frost-free operation	Let your appliance do the work with a timer defrost heater that continuously keeps ice from building up inside
Slim width	Just 26 inches wide for placement in small kitchens
Large capacity	Over 12 cubic feet of storage inside
Stainless steel doors	Modern style meets timeless durability in fingerprint-proof doors on both the refrigerator and freezer
Interior light	Automatically illuminates when you open the door
Adjustable glass shelves	Rearrange your refrigerator space to accommodate all shapes and sizes or remove shelves for a simple clean-up
Fruit and vegetable crisper	Get the longest life and best taste out of produce by storing it in a convenient slide drawer
Door storage	Store large bottles right on the door for easy access
Interior light	Automatically illuminates when you open the door
Adjustable thermostat	Control your food's temperature with ease and accuracy

## Specifications:

Height	69.5"
Width	26.0"
Depth	26.0"
Capacity	12.5 cu.ft.
Interior Height 1	40.0"
Interior Width 1	21.25"
Interior Depth 1	19.5"
Interior Height 2	16.0"
Interior Width 2	20.5"
Interior Depth 2	15.25"
Comp Step Height	8.0"
Comp Step Width	21.0"
Comp Step Depth	6.0"
Shipping Weight	194.0 lbs.
Voltage/Frequency	115 V AC/60 Hz
Energy Usage/Year	419.0 kWh/year
Crisper Quantity	1
Shelf Quantity	2
Adjustable Shelf	true
Shelf Type	Glass
Crisper Cover Type	Glass
Crisper Finish	Transparent
Full Door Shelf Quantity	6
Depth with door at 90°	51.0"
Defrost Type	Frost-Free
Light	true
Thermostat Type	Dial
Condensor Location	Rear of Unit
Freon Type	R134a
Level Legs Quantity	2
Parts/Labor Warranty	1 Year
Compressor Warranty	5 Years



**AjMadison**  
Your Appliance Authority™  
800-570-3355

Summit Appliances Division, Felix Storch, Inc.  
770 Garrison Ave • Bronx, NY 10474  
Phone: 718-893-3900 • Fax: 718-842-3093  
Email: info@summitappliance.com