

# MAS365GASXVLP

MASTER SERIES ALL-GAS RANGE 36" - 5 BURNERS - GAS OVEN - STAINLESS STEEL FINISH - LIQUID GAS



## Fingerprint resistant stainless steel finish

Make cleaning a breeze thanks to the fingerprint resistant finish on all knobs, handles and oven door surfaces.

## Bertazzoni signature counter-deep maintop

Bertazzoni signature stainless counter-deep maintop is designed to install flush with most kitchen countertops for a perfectly integrated look. Precise and flexible heating is generated through 5 Mono-bloc aluminum burners. The 19000 BTUs power burner with dual ring of flame boils water in 6 minutes flat. Complete the range with the optional cast-iron griddle.

## Extra large oven with dual convection

The 5.9 cu.ft gas oven with dual horizontal convection allows even baking and roasting on 7 shelf levels. Bertazzoni ovens are equipped with an extra-large high-power broiler for broiling and grilling.

## Advanced programming and controls for the oven

The elegant temperature gauge for control of oven temperature during pre-heating and baking is a signature of every Bertazzoni range.

## Best-in-class features and design

The soft-motion oven door with edge-to-edge tempered glass is a masterpiece of European engineering and makes the oven door very easy to wipe clean. The range is equipped with an elegant stainless steel toekick matching the finish of the range.

## GENERAL CHARACTERISTICS

|                   |   |
|-------------------|---|
| Worktop           | 5 gas burners with central dual ring power burner |
| Burners           | Aluminum with brass medallion on power burner     |
| Pan support       | Cast iron   |
| Upstand/Lid cover | 1" stainless steel island trim                    |
| Knobs             | Metal   |
| Cooking modes     | 5   |
| Tray              | 1 baking tray with grill trivet                   |
| Shelves           | 1 telescopic + 1 standard                         |
| Levels            | Lateral grids                                     |
| Inner door        | 3 layer tempered glass                            |
| Door hinges       | Soft motion                                       |
| Legs              | Stainless steel ø 2 3/8 inches                    |
| Toe kick          | Integrated stainless steel toe kick included      |

## TECHNICAL SPECIFICATIONS

|                         |                               |
|-------------------------|-------------------------------|
| Electrical requirements | 110 V 60 HZ - 300W<br>2.5A    |
| Warranty                | 2 years parts & labor         |
| Packaging dimensions    | H:42 1/8 W:40 9/16 D:29 15/16 |

## ACCESSORIES SECTION

|           |   |
|-----------|---|
| DSMASGKSG | Satin gold décor set - 10 knobs             |
| DSMASGKSB | Black nickel décor set - 10 knobs           |
| DSMASHSG  | Satin gold décor set - 2 handle terminals   |
| DSMASHSB  | Black nickel décor set - 2 handle terminals |
| CIG36     | Cast iron griddle                           |

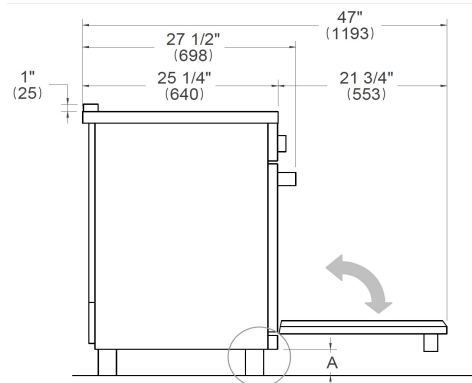
# MAS365GASXV

MASTER SERIES ALL-GAS RANGE 36" - 5 BURNERS - GAS OVEN - STAINLESS STEEL FINISH

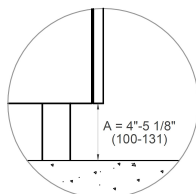


## DIMENSIONS

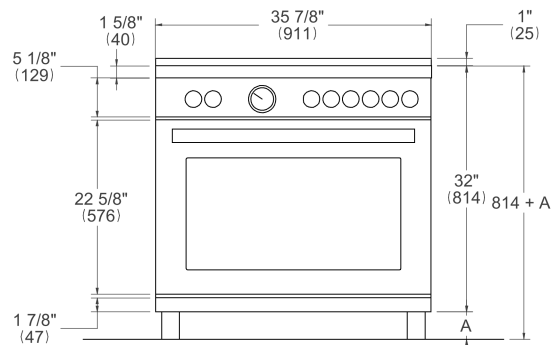
### SIDE VIEW



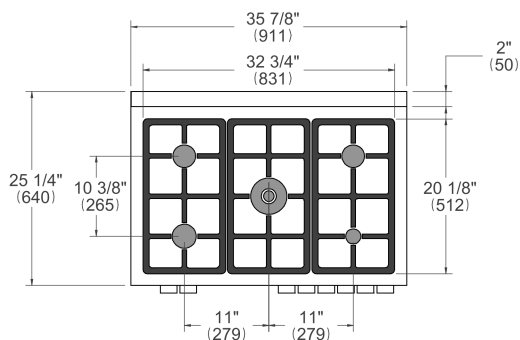
### LEG DETAILS



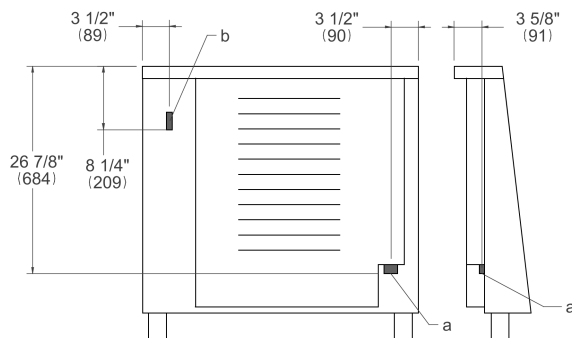
### FRONT VIEW



### WORKTOP DETAILS



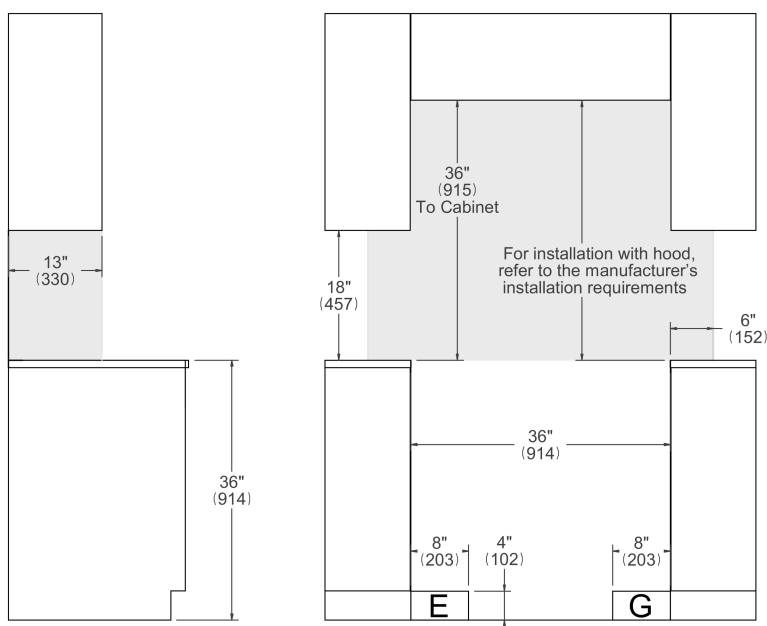
### REAR VIEW



## INSTALLATION

**E** A properly-grounded horizontally mounted electrical receptacle should be installed no higher than 3" (7.6 cm) above the floor, no less than 2" (5 cm) and no more than 8" (20,3 cm) from the left side (facing product). Check all local code requirements.

**G** Install agency approved, properly sized manual shut-off valve at max. height of 3" from floor, 2" min. height/ 8" max. height from the right side (facing product). Use approved shut-off valve & regulator gas connection, properly sized flex or rigid pipe. Check all local code requirements.



### NOTE

a. Electrical Connection  
b. Gas Connection

Disclaimer: while every effort has been made to insure the accuracy of the information contained in this document, Fratelli Bertazzoni reserves the right to change any part of the information at any time without notice. For detailed installation specifications consult the installation manual. Fratelli Bertazzoni, Bertazzoni and the winged wheel brand icon are registered trademarks of Bertazzoni Spa.