

FS62L

33.5" x 23.63" x 23.5" (H x W x D)

Freestanding counter height all-freezer capable of -25°C operation with front-mounted lock

Highlights:

- Factory-installed lock provides security you can count on
- Convenient dimensions for easy placement in tight locations
- Capable of operating at -25°C for long-term food preservation
- Seamless interior liner simplifies cleanup

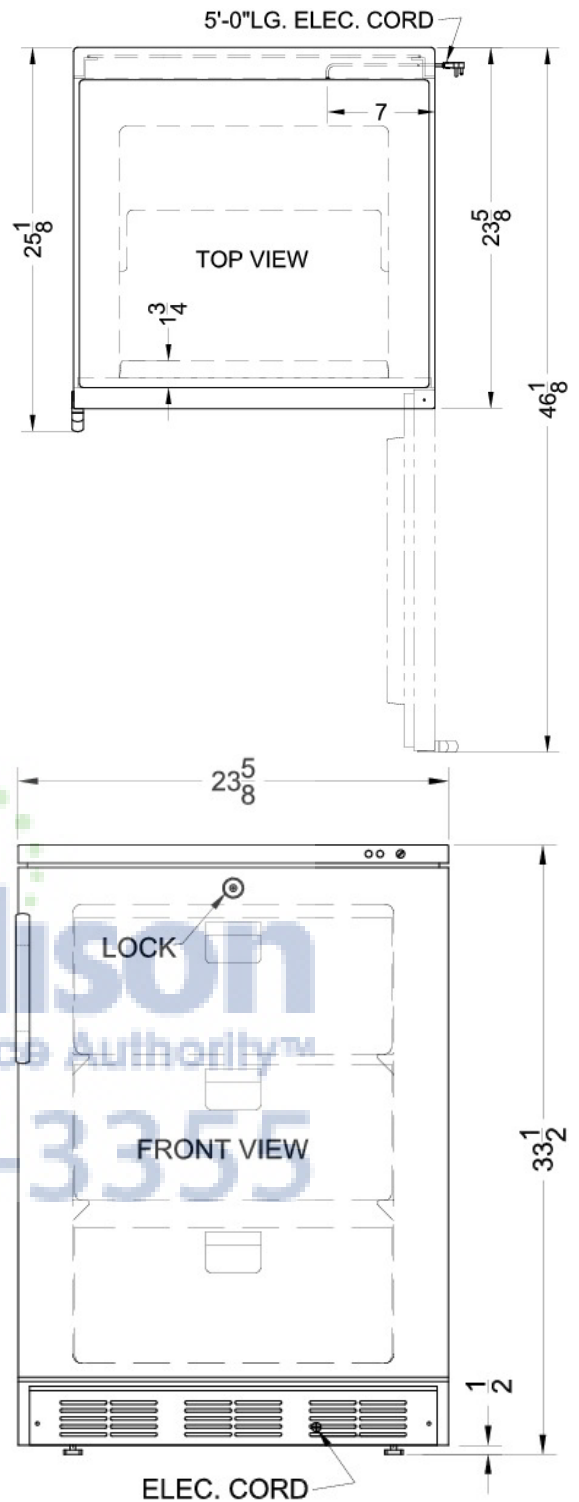



AjMadison
Your Appliance Authority™
800-570-3355

Fully finished white cabinet	Allows the freezer to be used freestanding
Factory installed lock	Keep contents secure with a key lock on the door
Slim counter height dimensions	Less than 24 inches wide
-25°C capable	Low temperature operation is ideal for vaccine, pharmaceuticals, and frozen foods
Manual defrost	No temperature fluctuations with an energy efficient manual defrost system
No internal fans	Temperature remains stable with a static cooling system
Three removable storage baskets	Conveniently organize your items while keeping the temperature stable when the door is opened
One piece interior liner	Enjoy easy clean-up with a seamless liner that won't hold a mess in hidden crevices
Adjustable thermostat	Manage the interior temperature with ease and accuracy
Reversible door	Keep your options flexible with a reversible door that is easy to switch when your arrangement changes

Specifications:

Height	33.5"
Width	23.63"
Depth	23.5"
Capacity	3.2 cu.ft.
Interior Height 1	24.25"
Interior Width 1	17.75"
Interior Depth 1	16.5"
Comp Step Height	6.5"
Comp Step Width	17.5"
Comp Step Depth	5.5"
Shipping Weight	102.0 lbs.
Canadian Electrical Safety	ULC
Amps	1.3
US Electrical Safety	UL
Reversible Door Swing	Reversible
Drawers	true
Drawer Quantity	3
Depth with door at 90°	46.13"
Thermostat Type	Dial
Condensor Location	Rear of Unit
Level Legs Quantity	2
High Side PSI	235.0
Freon Type	R134a
Low Side PSI	70.0
Freon Oz	2.7
Parts/Labor Warranty	1 Year
Compressor Warranty	5 Years





Aj Madison
 Your Appliance Authority™
 800-570-3355

Summit Appliances Division, Felix Storch, Inc.
 770 Garrison Ave • Bronx, NY 10474
 Phone: 718-893-3900 • Fax: 718-842-3093
 Email: info@summitappliance.com