

BI540L

33.5" x 23.63" x 23.5" (H x W x D)

Built-in refrigerator-freezer with cycle defrost in a white with lock and door frame for panels

Highlights:

- Cycle defrost system saves both you and your appliance energy
- Keep ice cream frozen in zero degree freezer
- Match your unit to its setting by inserting a custom panel
- Perfectly sized to fit tight spaces

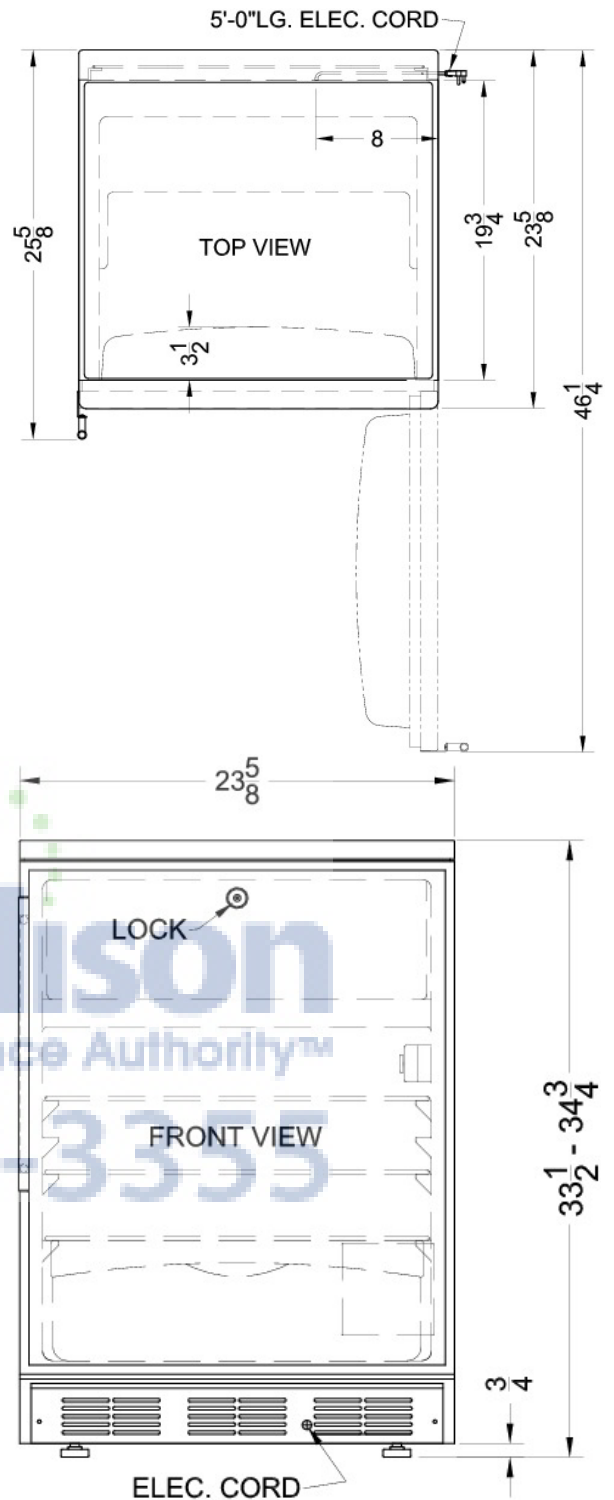


AjMadison
Your Appliance Authority
800-570-3355

Built-in capable	Make the best use of space by installing your appliance under the counter and flush with other cabinets
Fully finished white cabinet	Allows the unit to be used freestanding
Slim undercounter dimensions	Less than 24 inches wide to fit tight spaces
Dual evaporator	SUMMIT's unique and efficient design separately cools the refrigerator while maintaining zero degrees in the freezer with two evaporators
Cycle defrost	Combines an automatic defrosting refrigerator with a manual defrosting freezer to save energy but protect food
Zero degree freezer	Keep ice cream frozen and freezer burn-free in a freezer that reaches and maintains zero degrees
Front-mounted lock	Keep contents secure with a key lock on the door
Adjustable thermostat	Control your food's temperature with ease and accuracy
Interior light	Automatically illuminates when you open the door
Adjustable shelves	Rearrange your refrigerator space to accommodate all shapes and sizes or remove shelves for a simple clean-up

Specifications:

Height	33.5"
Width	23.63"
Depth	23.5"
Capacity	5.1 cu.ft.
Interior Height 1	19.5"
Interior Width 1	20.5"
Interior Depth 1	17.0"
Interior Height 2	5.0"
Interior Width 2	19.0"
Interior Depth 2	11.5"
Comp Step Height	7.0"
Comp Step Width	20.5"
Comp Step Depth	5.0"
Height Adjustable	true
Shipping Weight	107.0 lbs.
Voltage/Frequency	115 V AC/60 Hz
Amps	1.3
Canadian Electrical Safety	ULC
US Electrical Safety	UL
Energy Usage/Year	434.0 kWh/year
Reversible Door Swing	Reversible
Crisper Quantity	1
Shelf Quantity	3
Adjustable Shelf	true
Shelf Type	Wire
Crisper Cover Type	Glass
Crisper Finish	Transparent
Full Door Shelf Quantity	3
Defrost Type	Cycle
Depth with door at 90°	46.25"
Condensor Location	Rear of Unit
Light	true
Thermostat Type	Dial
Fan Type	Exterior
Freon Oz	2.6
Freon Type	R134a
Level Legs Quantity	4
High Side PSI	285.0
Low Side PSI	70.0
Parts/Labor Warranty	1 Year
Compressor Warranty	5 Years



Summit Appliances Division, Felix Storch, Inc.
 770 Garrison Ave • Bronx, NY 10474
 Phone: 718-893-3900 • Fax: 718-842-3093
 Email: info@summitappliance.com